

M-8019 3



FIGURE 2

WIRE	COLOR
1	GREEN
2	BLACK
3	WHITE

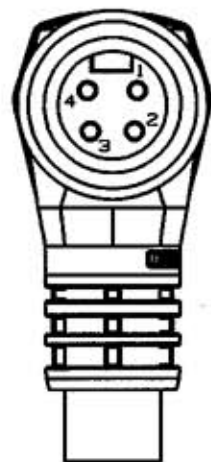


FIGURE 3

WIRE	COLOR
1	BLACK
2	WHITE
3	RED
4	GREEN



FIGURE 4

WIRE	COLOR
1	WHITE
2	RED
3	GREEN
4	ORANGE
5	BLACK



FIGURE 5

WIRE	COLOR
1	WHITE
2	RED
3	GREEN
4	ORANGE
5	BLACK
6	BLUE

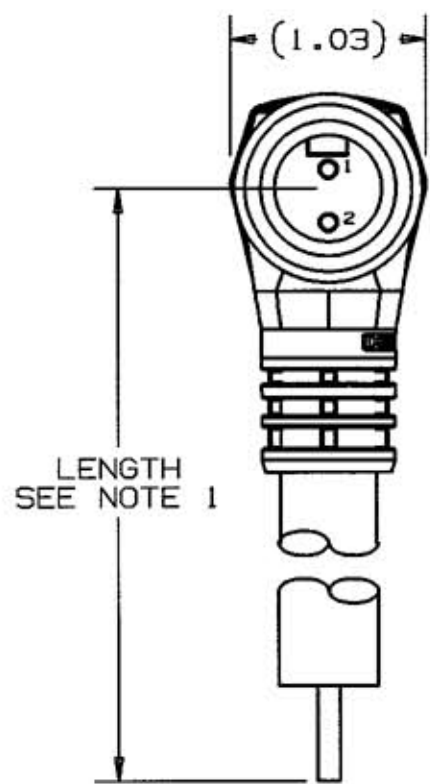
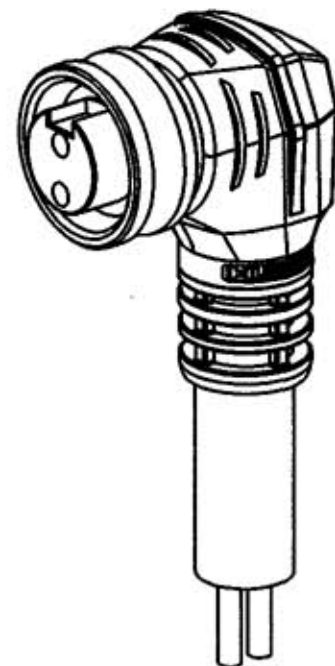
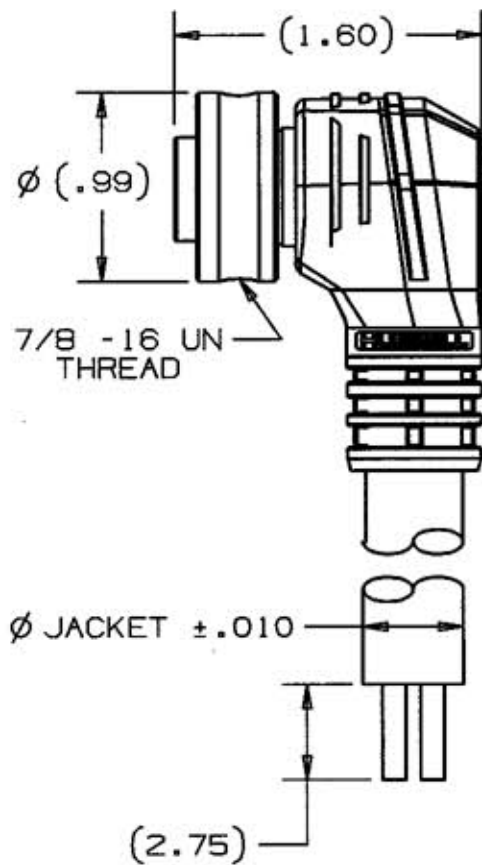


FIGURE 1

WIRE	COLOR
1	WHITE
2	BLACK



NOTES:

1. PLUG ASSEMBLIES AVAILABLE IN 3,6,12,15,20, AND 25 FOOT LENGTHS. CONSULT FACTORY FOR OTHER LENGTHS.
2. TWO DIGIT SUFFIX IN CATALOG NUMBER DENOTES LENGTH OF PLUG ASSEMBLY IN FEET. HCMA02103 IS 3 FEET LONG.
3. CATALOG NUMBER PREFIX;  
HCNA----- DENOTES A PLASTIC COUPLING NUT,  
HCMA----- DENOTES A METAL COUPLING NUT.

CATALOG NUMBER SEE NOTE 2	SEE FIGURE NUMBER	NUMBER OF POLES	AMPS	CABLE JACKET DIA.
HCMA021___ HCNA021___	1	2	15	.370
HCMA031___ HCNA031___	2	3	15	.420
HCMA041___ HCNA041___	3	4	12	.420
HCMA051___ HCNA051___	4	5	10	.500
HCMA061___ HCNA061___	5	6	10	.520

LIST OF PARTS

DESCRIPTION	MATERIAL	FINISH
COUPLING NUT	SEE NOTE 3	
INSULATOR	NYLON	WHITE
RETAINER	NYLON	BLACK
O-RING	RUBBER	BLACK
O-RING	SILICONE	GREEN
SOCKET CONTACT	COPPER ALLOY	GOLD OVER Pd/Ni
OVERMOLD	POLYURETHANE	BLACK
CABLE	16 AWG PVC	BLACK

SYM	REVISIONS	APP	DATE
3	LIST OF PARTS, REMOVE COUPLING NUT NYLON BK. REMOVE BRASS WITH NIC. FINISH. ADD SEE NOTE 3 DCN10549 GPK/GPH. DJH	GPH	2/20/03
2	ADDED NOTE 3; ADDED HCNA CAT. NOS. TO TABLE; ADDED COUPLING NUT TO "LIST OF PARTS" PER DCN 7955 RCM	GPH	9/11/00
1	RELEASED PER DCN6427. DJH	GPH	03/22/99

THE DESIGN AND DIMENSIONS OF THE PRODUCT SHOWN ON THIS DRAWING ARE SUBJECT TO CHANGE WITHOUT NOTICE

TITLE  
FEMALE PLUG 90°, #16 AWG STOOV CABLE

TOLERANCES UNLESS OTHERWISE SPECIFIED	WIRING DEVICE-KELLEMS HUBBELL INCORPORATED BRIDGEPORT, CT	
FRACTIONS ± 1/64	DR. BY DJH	APP. BY
DECIMALS ± .005	TR. BY	SCALE NONE
ANGLES ± 2°	CHK'D BY	DATE 03/19/99