

# Floor Boxes

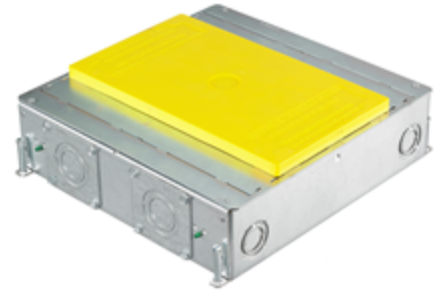
## SystemOne Recessed 4 Gang Floor Box

### For Use In Concrete Floors

# HUBBELL

#### Features

- Designed for applications requiring up to 2 in. conduits (with use of CFBHUB2 purchased separately)
- Stamped steel construction
- Pre and post pour adjustment
- Patent pending, labor saving, easy mount device plates
- Rectangular covers



#### Ordering Information

- A ½ in. yellow plastic cover insert is included and allows for easy use in tile, finished concrete or other mediums
- 6 inch solid conductor ground pigtail in each gang

Catalog Number	UPC Number	Cover Series	Box Type
CFB4G30	783585447230	24Gxx	Above Grade
Device Volume	Depth Behind Mounting Plate	Min. Pour Depth	
32 1/2 cu in.	2 1/2 in.	3 in.	

#### Specifications

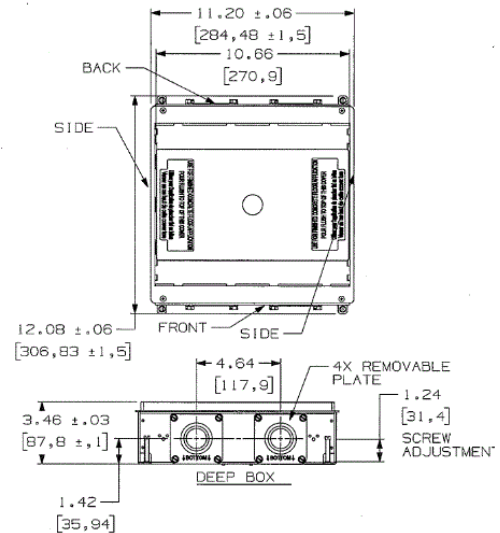
Box Material	16 gauge galvanized steel
Access Cover Material (ordered separately)	Die cast aluminum
Plastic Concrete Cover	Polypropolyne - yellow

#### Required

Cover	
Surface Style Rectangular Covers (for use with carpet, tile, VCT and other engineered floors)	<a href="#">Click here</a>
Flush Style Rectangular Covers (for use with tile, finished concrete and Terrazzo floors)	<a href="#">Click here</a>

#### Accessories

2 in. threaded zinc hub	CFBHUB2
Replacement knock-out plate	CFBKOPATE
Replacement wire-way, used to pass wires from one compartment to the other	CFB46WW



#### Online Resources

[eCatalog](#)