

**Fire-Rated Poke-Throughs**  
**SystemOne Flush**  
**4-Inch Diameter Core Hole**



**Features**

- One 3/4" EMT for Power, Two 3/4" EMT for Low Voltage
- S1CFCAL, Aluminum Powder Coat Finish Cover Included
- S1SP4X4 sub-plate Included

**Ordering Information**

- Fully Assembled Fitting, Cover and Sub-Plate

<b>Catalog Number</b> S1PT4X4AL	<b>UPC Number</b> 783585371504	<b>Cover Series</b> S1CFC	<b>Core Hole Diameter</b> 4-Inch
------------------------------------	-----------------------------------	------------------------------	-------------------------------------

<b>Minimum Deck Thickness</b> 2.25" Over Metal Deck	<b>Connection Type</b> Flush
--	---------------------------------

**Standards**

cULus Listed  
 UL scrub water compliant  
 ADA Compliant

**Specifications**

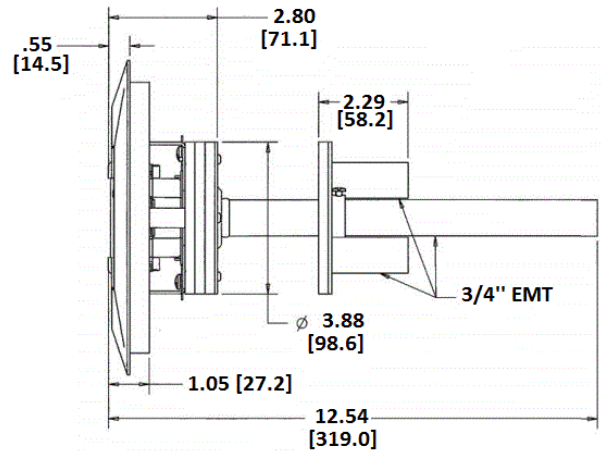
Cover load rating	300 lbs. static load through 3" diameter mandral
Access cover material	Die cast aluminum
Fire Rating	1 - 4 Hour Fire Rating

**Accessories**

Junction Box - 27 Cubic Inch	<b>S1FRPTJB</b>
4" Pre-Pour Tube, removed need for core hold drilling	<b>S1R4PPT</b>

**Online Resources**

- Customer Use Drawing
- eCatalog
- Installation Instructions



Dimensions in Inches (mm)

Hubbell Wiring Device-Kellems • Hubbell Incorporated (Delaware) • 40 Waterview Drive • Shelton, CT 06484

Phone (800) 288-6000 • Fax (800) 255-1031 • Specifications subject to change without notice.

