

Raceway
Non-Metallic Raceway
PW1 WallTrak[®] Low Profile (Latching)
1-Gang Standard Box

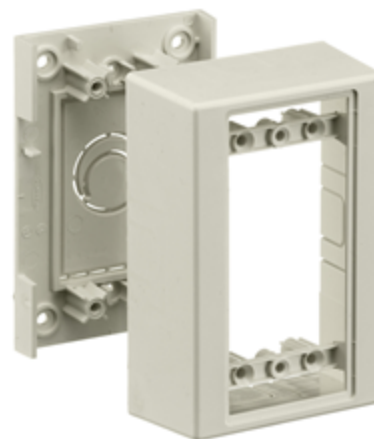
HUBBELL

Features

- For standard switches and receptacles
- See page R-63 for recommended plate options.

Ordering Information

Description	Color	UPC Number	Catalog Number
1-Gang Standard Box	Office White	783585092126	PW1SBA

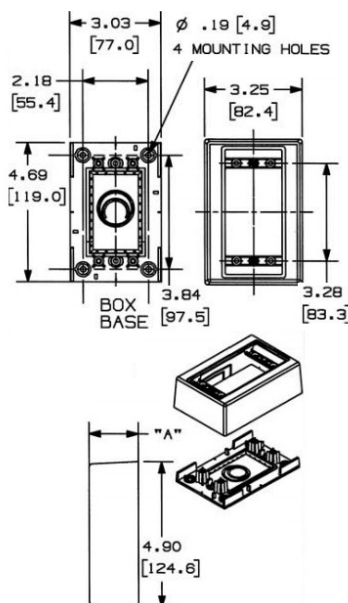


Listings

UL Listed
 CSA Certified

Specifications

Height	4.90"
Width	3.25"
Length	1.63"



Online Resources

Customer Use Drawing
 eCatalog
 Installation Instructions

Dimensions in Inches (mm)

Hubbell Wiring Device-Kellems • Hubbell Incorporated (Delaware) • 40 Waterview Drive • Shelton, CT 06484

Phone (800) 288-6000 • Fax (800) 255-1031 • Specifications subject to change without notice.

