

Floor Boxes

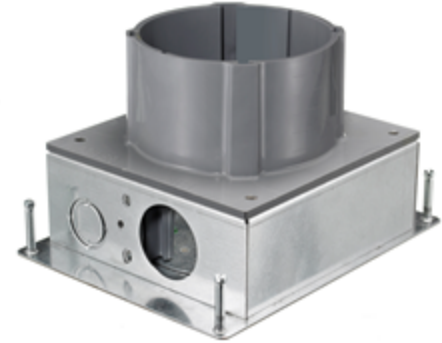
Hubbell SystemOne Metal and Non-Metallic

Concrete Floor Boxes

HUBBELL

Features

- Supplied with concrete cover and closure plugs
- Accommodates high-capacity multimedia applications
- Leveling feet provide before pour adjustability



Ordering Information

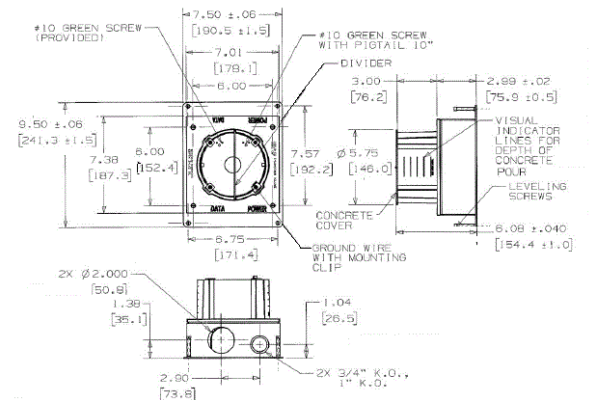
Description	Material	UPC	Catalog Number
Metallic, Floor Boxes	Steel AV	783585371665	S1SFBAV

Listings

UL File Number E92074
CSA File Number LR18416

Specifications

Min. Depth of Pour	3.50" (88.9)
Cubic Inch	177.5 cu. in.(2909.7 cm ³)
Power Entries	3/4", 1" Concentric KO



Online Resources

[Customer Use Drawing](#)
[eCatalog](#)
[Installation Instructions](#)

Dimensions in Inches (mm)

Hubbell Wiring Device-Kellems • Hubbell Incorporated (Delaware) • 40 Waterview Drive • Shelton, CT 06484

Phone (800) 288-6000 • Fax (800) 255-1031 • Specifications subject to change without notice.

