

# Commercial Tamper-Resistant Specification Grade Duplex Receptacles

- Patented TR design eliminates plug-in difficulty and TR complaints
- Perfect for residential TR applications involving tenants with limited dexterity or hand strength
- Encourage electrical safety and NEC compliance



## Features

- For use in NEC® locations requiring Tamper-Resistant receptacles
- Best-in-class TR mechanism

The Hubbell Tamper-Resistant Mechanism eliminates the frustration and difficulty experienced using TR receptacles with plugs that have sharp, or bent blades. Hubbell TR receptacles work so well there is virtually no perceptible difference in the feel between the TR receptacles and our conventional non-TR receptacles. Trust Hubbell to deliver Tamper-Resistant protection that feels like it's not even there.

## APPLICATIONS

- |                              |                    |
|------------------------------|--------------------|
| ■ Assisted Living Facilities | ■ Waiting Rooms    |
| ■ Childcare Applications     | ■ Retail Locations |
| ■ Hotels and Resorts         | ■ Commercial       |
| ■ Schools and Universities   | ■ Residential      |

## Tamper-Resistant... **NOT** Plug Resistant™

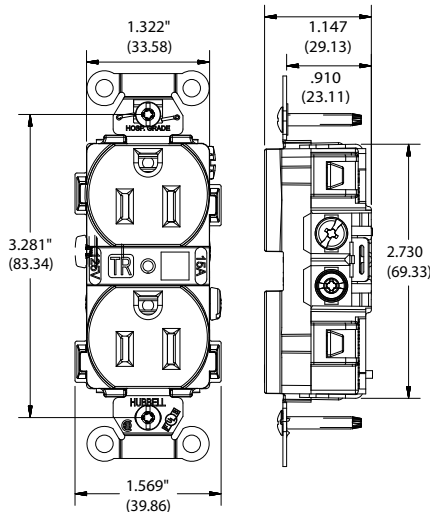


# Commercial Tamper-Resistant Specification Grade Duplex Receptacles

## Commercial Tamper-Resistant Specification Grade Duplex Receptacles



Description	Color	15A 125V	20A 125V
Tamper-Resistant, Style Line® decorator duplex, smooth nylon face, back and side wired	Almond	<b>DR15ALTR</b>	<b>DR20ALTR</b>
	Black	<b>DR15BLKTR</b>	<b>DR20BLKTR</b>
	Brown	<b>DR15TR</b>	<b>DR20TR</b>
	Gray	<b>DR15GRYTR</b>	<b>DR20GRYTR</b>
	Ivory	<b>DR15ITR</b>	<b>DR20ITR</b>
	Light Almond	<b>DR15LATR</b>	<b>DR20LATR</b>
Tamper-Resistant, smooth nylon face, duplex, back and side wired	White	<b>DR15WHITR</b>	<b>DR20WHITR</b>
	Almond	<b>BR15ALTR</b>	<b>BR20ALTR</b>
	Black	<b>BR15BLKTR</b>	<b>BR20BLKTR</b>
	Blue	<b>BR15BLTR</b>	<b>BR20BLTR</b>
	Brown	<b>BR15TR</b>	<b>BR20TR</b>
	Gray	<b>BR15GRYTR</b>	<b>BR20GRYTR</b>
	Ivory	<b>BR15ITR</b>	<b>BR20ITR</b>
	Light Almond	<b>BR15LATR</b>	<b>BR20LATR</b>
	Red	<b>BR15RTR</b>	<b>BR20RTR</b>
	White	<b>BR15WHITR</b>	<b>BR20WHITR</b>
Tamper-Resistant, smooth nylon face, duplex, side wired only	Almond	<b>CR15ALTR</b>	<b>CR20ALTR</b>
	Black	<b>CR15BLKTR</b>	<b>CR20BLKTR</b>
	Brown	<b>CR15TR</b>	<b>CR20TR</b>
	Gray	<b>CR15GRYTR</b>	<b>CR20GRYTR</b>
	Ivory	<b>CR15ITR</b>	<b>CR20ITR</b>
	Light Almond	<b>CR15LATR</b>	<b>CR20LATR</b>
	White	<b>CR15WHITR</b>	<b>CR20WHITR</b>



### Tamper-Resistant Receptacles



Per 2014 National Electrical Code (NEC®) Article 406.12, 406.13, 406.14; all 125 volt, 15 and 20 amp receptacles in dwelling units, lodging guest rooms and suites, and child care facilities shall be a listed tamper resistant type. Dwelling units are defined as a single unit, providing complete and independent living facilities for one or more persons, including permanent provisions for living, sleeping, cooking and sanitation. Listed devices are required to have a TR marking on the face visible when installed without a cover plate.

## Additional Commercial Products

### Nightlight Devices and USB Charger Receptacles

Color	Decorator Switch Single Pole 20A, 120/277V AC	Duplex Receptacle 15A 125V AC	Nightlight Only 120V AC	USB Charger	
				15A 125V AC	20A 125V AC
Black	—	—	—	<b>USB15X2BK</b>	<b>USB20X2BK</b>
Brown	—	—	—	<b>USB15X2</b>	<b>USB20X2</b>
Gray	—	—	—	<b>USB15X2GY</b>	<b>USB20X2GY</b>
Ivory	<b>DS120NLIV</b>	<b>DR15NLIV</b>	<b>DD100NLIV</b>	<b>USB15X2I</b>	<b>USB20X2I</b>
Light Almond	<b>DS120NLLA</b>	<b>DR15NLLA</b>	<b>DD100NLLA</b>	<b>USB15X2LA</b>	<b>USB20X2LA</b>
White	<b>DS120NLWH</b>	<b>DR15NLWH</b>	<b>DD100NLWH</b>	<b>USB15X2W</b>	<b>USB20X2W</b>

