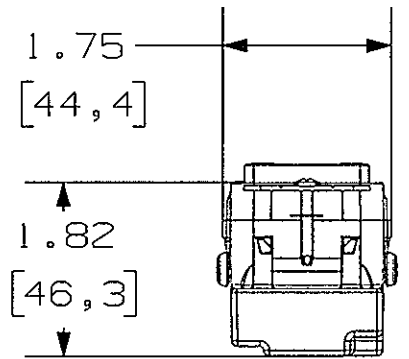
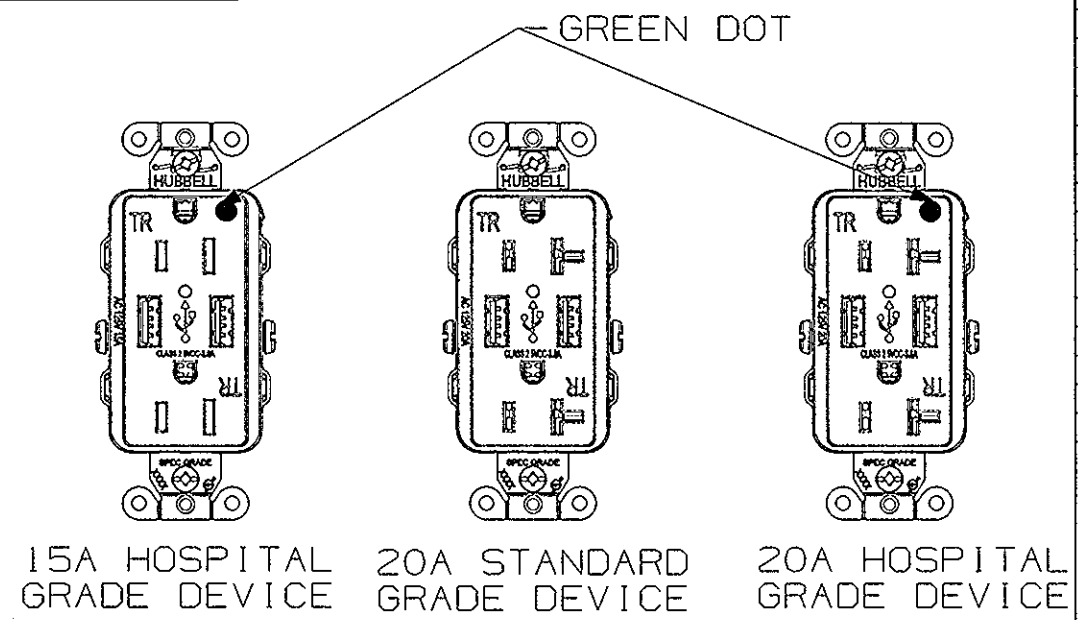
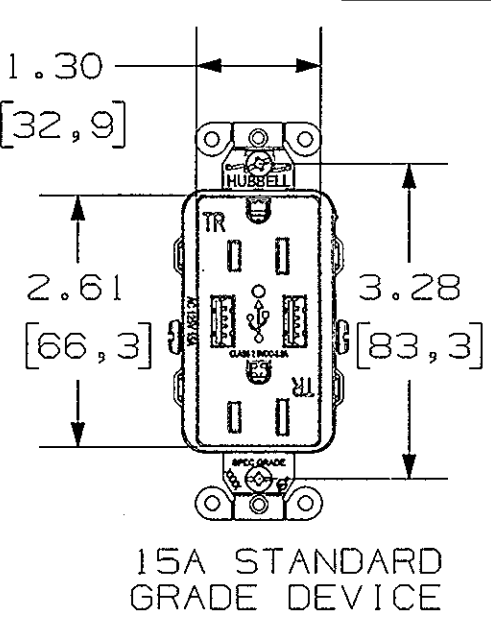
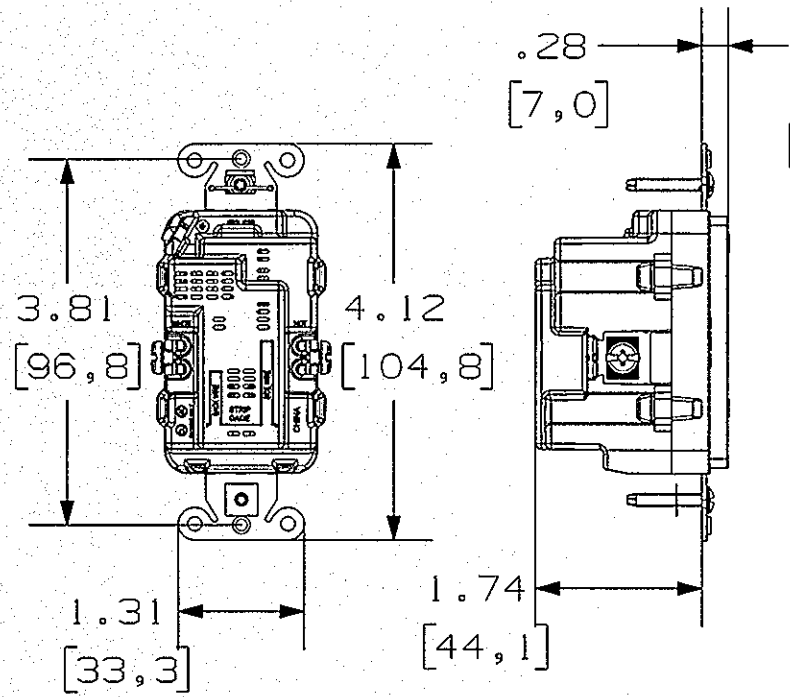


M12758 I



CATALOG	DESCRIPTION	COLOR	RATING		
USB15X2I	15A TR RECEPTACLE WITH 3.8A 5VDC USB CHARGER	IVORY	15A 125V		
USB15X2W		WHITE			
USB15X2LA		LIGHT ALMOND			
USB15X20W		OFFICE WHITE			
USB15X2BK		BLACK			
USB15X2R		RED			
USB15X2GY		GRAY			
USB15X2		BROWN			
USB8200I		15A TR HOSPITAL GRADE RECEPTACLE WITH 3.8A 5VDC USB CHARGER		IVORY	15A 125V
USB8200W				WHITE	
USB8200LA	LIGHT ALMOND				
USB82000W	OFFICE WHITE				
USB8200BK	BLACK				
USB8200R	RED				
USB8200GY	GRAY				
USB8200	BROWN				
USB20X2I	20A TR RECEPTACLE WITH 3.8A 5VDC USB CHARGER		IVORY	20A 125V	
USB20X2W			WHITE		
USB20X2LA		LIGHT ALMOND			
USB20X20W		OFFICE WHITE			
USB20X2BK		BLACK			
USB20X2R		RED			
USB20X2GY		GRAY			
USB20X2		BROWN			
USB8300I		20A TR HOSPITAL GRADE RECEPTACLE WITH 3.8A 5VDC USB CHARGER	IVORY		20A 125V
USB8300W			WHITE		
USB8300LA	LIGHT ALMOND				
USB83000W	OFFICE WHITE				
USB8300BK	BLACK				
USB8300R	RED				
USB8300GY	GRAY				
USB8300	BROWN				

DESCRIPTION	MATERIAL	FINISH
COVER	THERMOPLASTIC	COLOR PER CAT#
BASE	THERMOPLASTIC	BLACK
TR SHUTTER	THERMOPLASTIC	
STRAP	GALV. STEEL	
MOUNTING SCREW	STEEL	ZINC PLATED
TERMINALS	BRASS ALLOY	
GROUND SCREW	STEEL	GREEN DYE
TERMINAL SCREW (HOT)	STEEL	BRASS PLATED
TERMINAL SCREW (NEUTRAL)	STEEL	NICKEL PLATED

NOTES:
 1. ALL DIMENSIONS ARE INCHES [mm].
 2. RATING/TYPE:
 RECEPTACLE: SEE TABLE.
 USB PORT CHARGER OUTPUT: 5VDC, 3.8A MAX.

REPAIRABLE	NON-REPAIRABLE
<input type="checkbox"/>	<input checked="" type="checkbox"/>

1	12/11/14 NEW RELEASE PER DCN #20988. CZ	APP	12/11/14
---	---	-----	----------

THE DESIGN AND DIMENSIONS OF THE PRODUCT SHOWN ON THIS DRAWING ARE SUBJECT TO CHANGE WITHOUT NOTICE

TITLE
 HUBBELL 2X2 USB CHARGER TR RECEPTACLE

TOLERANCES UNLESS OTHERWISE SPECIFIED	WIRING DEVICE-KELLEMS HUBBELL INCORPORATED SHELTON, CT	
.XX : ±.01	DR. BY N.H	APP. BY SM
.XXX : ±.005	TR. BY DL	SCALE 1:2
ANGLES : ±2°	CHK. BY C.Z	DATE 2014/12/11

DIMENSION SHEET FOR CAT. NO. SEE TABLE REPAIRABLE NON-REPAIRABLE B M-12758 I