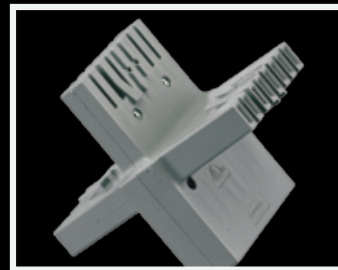
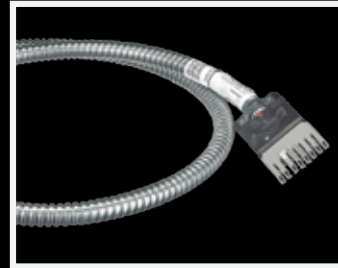




# HUBBELL CONNEXION 2.0

## Zone Distribution System



*from the Leader in Delivery Systems*

The Hubbell CONNEXION 2.0 Zone Distribution System is a factory assembled, flexible, modular plug-n-play system that delivers power in raised floor installations. This unique system increases the value of the infrastructure and meets the challenges posed by new construction and renovation in commercial offices, retail outlets and educational facilities. By improving cable management, enhancing flexibility, and reducing administration expense, the CONNEXION 2.0 Zone Distribution System allows power needs to be addressed in a timely and effective manner. The basic CONNEXION 2.0 building blocks are shown below.



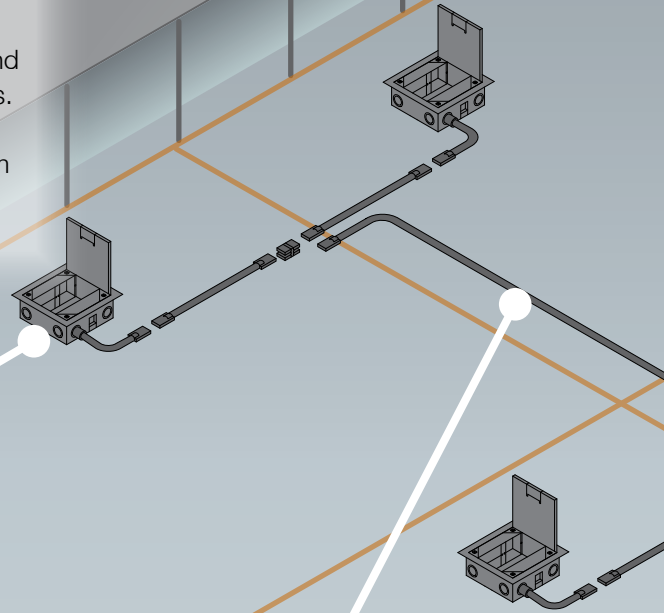
**Pre-wired Floor Boxes**

Custom engineered and wired to project specifications, the floor box is the electrical access point for building occupants. Available in 2, 4 or 10 gang capacity with varying depths and Black, Brass, Nickel, Bronze or Aluminum finishes, the boxes are designed to meet any décor and electrical need. The connectorized input whip allows the boxes to be installed in minutes and relocated for future moves or expansions.



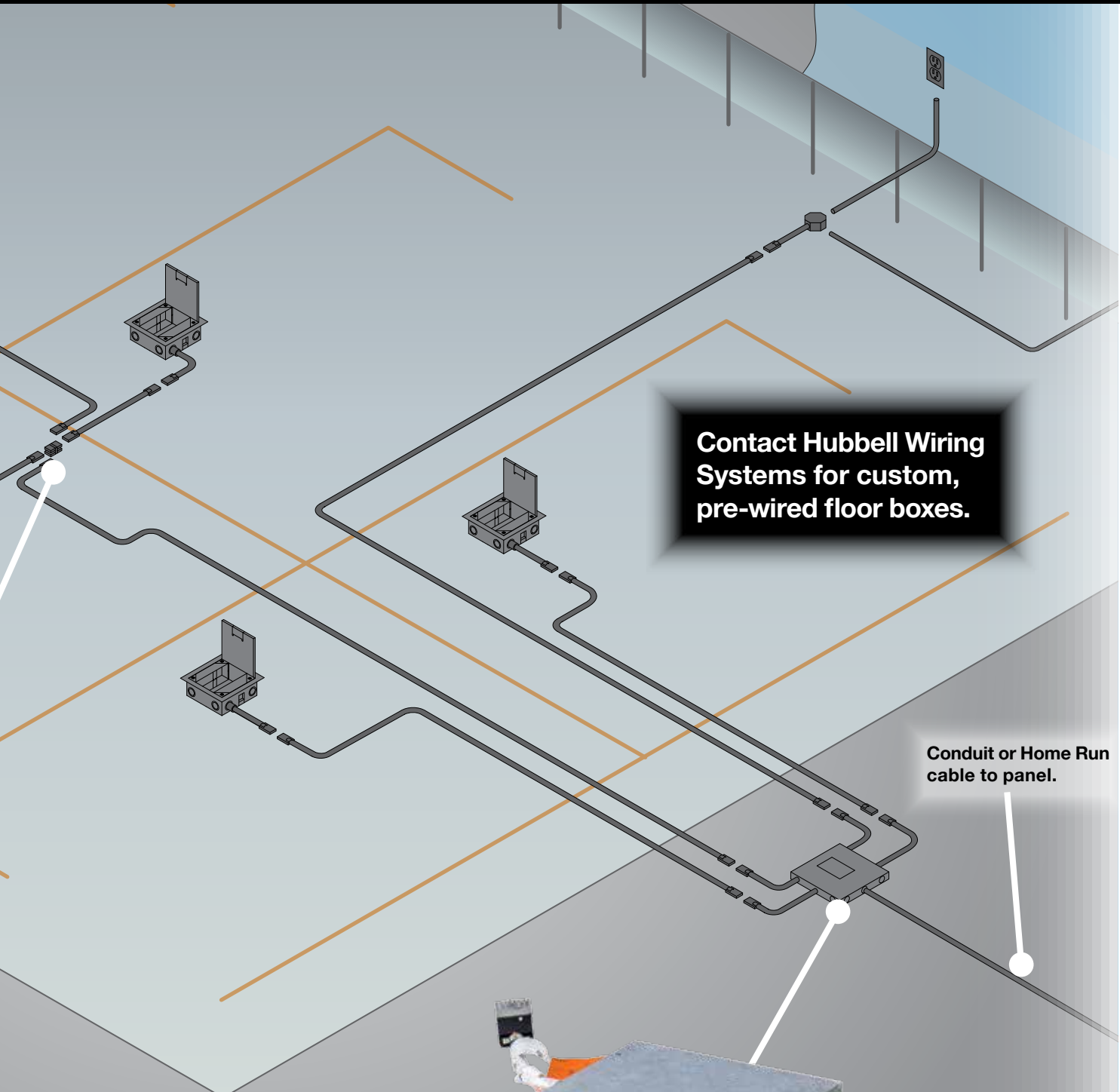
**Extender cables**

Extender cables run from the zone distribution box or splitter module to the pre-wired floor box. The connectorized ends allow for simple installation and future layout flexibility. Additionally, The male/female connector heads of the extender cables allow them to be extended without the use of a splitter module if required.



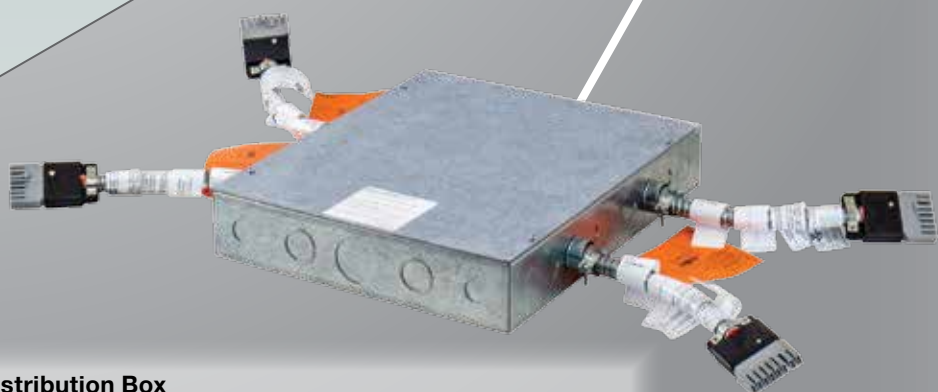
**Splitters**

Splitters, connected in line with the extender cables, allow for the powering of multiple floor boxes from one extender whip at the zone distribution box. They are designed for one extender cable in and up to three extender cables out.



Contact Hubbell Wiring Systems for custom, pre-wired floor boxes.

Conduit or Home Run cable to panel.



**Zone Distribution Box**

The zone distribution box is connected to the electrical panel and is the start of the Connexion 2.0 system. The electrical contractor will wire the designated circuits from the panel to the corresponding whips inside the zone box. After this wiring is completed, all other connections including the floor boxes are plug-n-play.

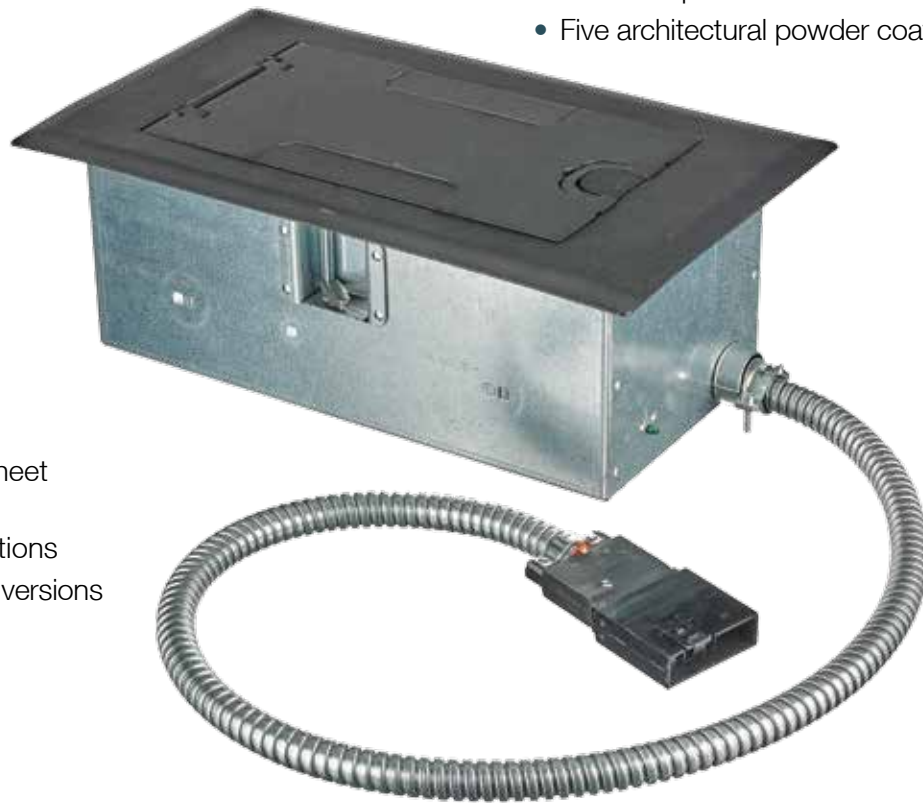
# Custom Pre-Wired Access Floor Boxes

## Features and Benefits

- Reduce job site fabrication time and installation labor
- Reduce job site waste
- Access Floor Box (AFB) pre-wired to specifications
- UL Listed, Manufactured Wiring Systems, UL file number E76359
- Contact Hubbell Wiring Systems for ordering information
- Floor boxes also available pre-wired with wire leads only (no connector), UL Listed as Wiring Assemblies, UL file number E305156

## Cover

- 180° cover opening
- Two large fold-under cable egress doors
- Die cast aluminum construction
- ADA compliant
- Five architectural powder coat finishes



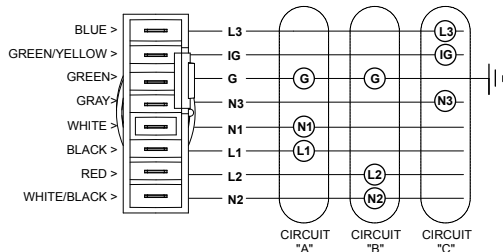
## Box

- 16 gauge galvanized sheet metal construction
- 2, 4 and 10-gang variations
- Rectangular and round versions

## Pre-Wired Raised Access Floor Box Options

Box Series	Description	Cut Out Dimensions	Conduit Knockouts
<b>AFB2G25</b>	2-Gang, 2 ½ in. Depth	6 ¾ in. x 13 ½ in.	½ in. – ¾ in. (sides) / ½ in. - 1 in. (bottom)
<b>AFB2G50</b>	2-Gang, 5 in. Depth	6 ¾ in. x 13 ½ in.	½ in. – 2 in. (sides) / ½ in. - 1 in. (bottom)
<b>AFB4G25</b>	4-Gang, 2 ½ in. Depth	11 ¼ in. x 11 ½ in.	½ in. – ¾ in. (sides) / ½ in. - 1 in. (bottom)
<b>AFB4G50</b>	4-Gang, 5 in. Depth	11 ¼ in. x 11 ½ in.	½ in. – 2 in. (sides) / ½ in. - 1 in. (bottom)
<b>AFB10G55</b>	10-Gang, 5 ½ in. Depth	11 in. x 11 ½ in. in instructions	½ in. – 2 in. (sides) / ½ in. - 1 ¼ in. (bottom)
<b>RAFB4</b>	4-Gang, 6 ½ in. Depth	8 ¼ in. Diameter in instructions	½ in. – 2 in. ½ in. - 1 ½ in. (sides) / ½ in. - 2 in. (bottom)

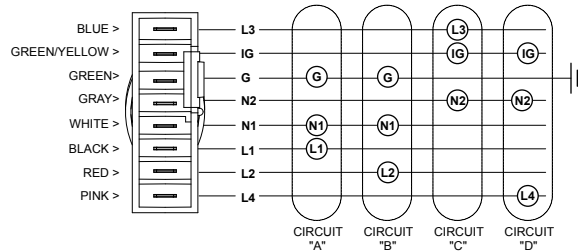
### 3/3/2 System Configuration (3-Hots, 3-Neutrals, 2-Grounds)



Appropriate for a 120/208 volt 3ØY power distribution and dedicated neutrals are desired.

- Three circuit capacity.
- Isolated ground capability for sensitive equipment.
- Each circuit has its own #12 AWG neutral.
- Component Rating: 20 amperes at 120/208 volt.
- 8-Wires (3 hots, 3 neutrals, 2 grounds).

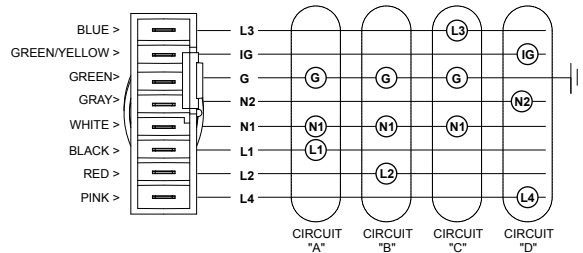
### 4/2/2 System Configuration (4 Hots, 2 Neutrals, 2 Grounds) 2 + 2 Wiring Configuration



Appropriate in areas where shared neutral conductors are utilized.

- Two circuits share one #10 AWG neutral to manage harmonics for general purpose.
- Two additional circuits share one #10 AWG neutral to manage harmonics for general purpose.
- Isolated ground capability for sensitive equipment.
- Component Rating: 20 amperes at 120/208 volt.
- 8-Wires (4 hots, 2 neutrals, 2 grounds).

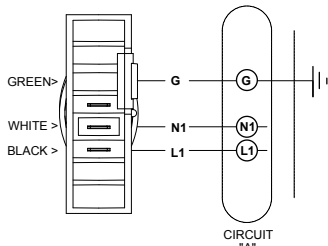
### 4/2/2 System Configuration (4 Hots, 2 Neutrals, 2 Grounds) 3+ 1 Wiring Configuration



Appropriate in areas where shared neutral conductors are utilized.

- Three circuits share #10 AWG neutral to manage harmonics for general purpose.
- One circuit on dedicated #10 AWG neutral for sensitive equipment.
- Isolated ground capability for sensitive equipment.
- Component Rating: 20 amperes at 120/208 volt.
- 8-Wires (4 hots, 2 neutrals, 2 grounds).

### 1/1/1 System Configuration (1 Hot, 1 Neutral, 1 Ground)



- One circuit capacity.
- Component Rating: 20 amperes at 120/208 volt.
- 3-Wires (1 hot, 1 neutral, 1 ground).

## 2.0 Extender Cables

Hubbell Connexion 2.0 extender cables have male (power "IN") / female (power "OUT") ends allowing them to be connected in the field as needed. Available in three different versions, 422, 332, and 111, in 5 ft. increments up to 30 ft.

422 Family	332 Family	111 Family	Length	Connectors
<b>CEXT422MFL01</b>	<b>CEXT332MFL01</b>	<b>CEXT111MFL01</b>	1 ft.	Male / Female
<b>CEXT422MFL05</b>	<b>CEXT332MFL05</b>	<b>CEXT111MFL05</b>	5 ft.	Male / Female
<b>CEXT422MFL10</b>	<b>CEXT332MFL10</b>	<b>CEXT111MFL10</b>	10 ft.	Male / Female
<b>CEXT422MFL15</b>	<b>CEXT332MFL15</b>	<b>CEXT111MFL15</b>	15 ft.	Male / Female
<b>CEXT422MFL20</b>	<b>CEXT332MFL20</b>	<b>CEXT111MFL20</b>	20 ft.	Male / Female
<b>CEXT422MFL25</b>	<b>CEXT332MFL25</b>	<b>CEXT111MFL25</b>	25 ft.	Male / Female
<b>CEXT422MFL30</b>	<b>CEXT332MFL30</b>	<b>CEXT111MFL30</b>	30 ft.	Male / Female
<b>CEXT422FWL01</b>	<b>CEXT332FWL01</b>	<b>CEXT111FWL01</b>	1 ft.	Female / Open
<b>CEXT422FWL01XP*</b>	<b>CEXT332FWL01XP*</b>	<b>CEXT111FWL01XP*</b>	1 ft.	Female / Open
<b>CEXT422MWL01</b>	<b>CEXT332MWL01</b>	<b>CEXT111MWL01</b>	1 ft.	Male / Open
<b>CEXT422MWL01XP*</b>	<b>CEXT332MWL01XP*</b>	<b>CEXT111MWL01XP*</b>	1 ft.	Male / Open
<b>CEXT422MWL05</b>	<b>CEXT332MWL05</b>	<b>CEXT111MWL05</b>	5 ft.	Male / Open
<b>CEXT422MWL15</b>	<b>CEXT332MWL15</b>	<b>CEXT111MWL15</b>	15 ft.	Male / Open



Note: \*Standard lead length is 12 in. long. **XP** Suffix denotes 18 in. long leads for installations requiring extra-long wires.

## Zone Boxes and Accessories

Zone distribution Boxes are the core of the Connexion 2.0 system. They serve as the main interface between the conventionally connected electrical system and the labor saving Connexion 2.0 system. With a large array of knock outs, they can accept most conduit sizes when run from the circuit breaker panel. They also accept labor saving Homerun cables as part of the Connexion 2.0 system. With depth of 3 inches, the zone boxes will fit in almost any raised flooring system. Custom configurations are also available. Contact Hubbell Wiring Systems for ordering information.



### 2.0 Zone Boxes

Zone Box Part Number	Wiring Configuration	Output Whips	Total Number of Circuits per Box	Circuits per Whip	Field Connection Type
<b>ZB111C1W1POUT*</b>	111	1	1	1	Wire nuts to open leads
<b>ZB111C2W2P</b>	111	2	2	1	Wire nuts to open leads
<b>ZB111C4W4P</b>	111	4	4	1	Wire nuts to open leads
<b>ZB111C6W6P</b>	111	6	6	1	Wire nuts to open leads
<b>ZB111C8W8P</b>	111	8	8	1	Wire nuts to open leads
<b>ZB111C1W2TC</b>	111	2	1	1	Single Screw down terminal block
<b>ZB111C1W4TC</b>	111	4	1	1	Single Screw down terminal block
<b>ZB111C1W6TC</b>	111	6	1	1	Single Screw down terminal block
<b>ZB111C1W8TC</b>	111	8	1	1	Single Screw down terminal block
<b>ZB111C2W2TM</b>	111	2	2	1	Multi Screw down terminal block
<b>ZB111C4W4TM</b>	111	4	4	1	Multi Screw down terminal block
<b>ZB111C6W6TM</b>	111	6	6	1	Multi Screw down terminal block
<b>ZB111C8W8TM</b>	111	8	8	1	Multi Screw down terminal block
<b>ZB332C3W1POUT*</b>	332	1	3	3	Wire nuts to open leads
<b>ZB332C6W2P</b>	332	2	6	3	Wire nuts to open leads
<b>ZB332C12W4P</b>	332	4	12	3	Wire nuts to open leads
<b>ZB332C3W2TC</b>	332	2	3	3	Single Screw down terminal block
<b>ZB332C3W4TC</b>	332	4	3	3	Single Screw down terminal block
<b>ZB332C6W2TM</b>	332	2	6	3	Multi Screw down terminal block
<b>ZB332C12W4TM</b>	332	4	12	3	Multi Screw down terminal block
<b>ZB422S2C4W1POUT*</b>	422, 2+2	1	4	4	Wire nuts to open leads
<b>ZB422S2C8W2P</b>	422, 2+2	2	8	4	Wire nuts to open leads
<b>ZB422S2C16W4P</b>	422, 2+2	4	16	4	Wire nuts to open leads
<b>ZB422S2C4W2TC</b>	422, 2+2	2	4	4	Single Screw down terminal block
<b>ZB422S2C4W4TC</b>	422, 2+2	4	4	4	Single Screw down terminal block
<b>ZB422S2C8W2TM</b>	422, 2+2	2	8	4	Multi Screw down terminal block
<b>ZB422S2C16W4TM</b>	422, 2+2	4	16	4	Multi Screw down terminal block
<b>ZB422S3C4W1POUT*</b>	422, 3+1	1	4	4	Wire nuts to open leads
<b>ZB422S3C8W2P</b>	422, 3+1	2	8	4	Wire nuts to open leads
<b>ZB422S3C16W4P</b>	422, 3+1	4	16	4	Wire nuts to open leads
<b>ZB422S3C4W2TC</b>	422, 3+1	2	4	4	Single Screw down terminal block
<b>ZB422S3C4W4TC</b>	422, 3+1	4	4	4	Single Screw down terminal block
<b>ZB422S3C8W2TM</b>	422, 3+1	2	4	4	Multi Screw down terminal block
<b>ZB422S3C16W4TM</b>	422, 3+1	8	16	4	Multi Screw down terminal block

Note: \*OUT suffix denotes single whip output zone box, which will not be further expanded.

### 2.0 Furniture Feeds

Furniture feeds are junction boxes which come with a pre attached power "IN" connector allowing transition to building hard-wiring underneath the raised floor.

Zone Box Part Number	Wiring Configuration	Output Whips	Total Number of Circuits per Box	Circuits per Whip	Field Connection Type
<b>ZB111C1W1PIN</b>	111	1	1	1	Wire nuts to open leads
<b>ZB332C3W1PIN</b>	332	1	3	3	Wire nuts to open leads
<b>ZB422S2C4W1PIN</b>	422, 2+2	1	4	4	Wire nuts to open leads
<b>ZB422S3C4W1PIN</b>	422, 3+1	1	4	4	Wire nuts to open leads

### 2.0 Splitters

Distributes all cable conductors to up to three locations (one "IN", three "OUTS") to increase the amount of floor boxes fed from a single Zone Distribution Box output whip.

Catalog Number	Wires	Hot Circuits
<b>SP31</b>	3	1
<b>SP83</b>	8	3
<b>SP84</b>	8	4



### 2.0 Homerun Cables

The Homerun cable is a dedicated 9-conductor (#10 AWG, THHN / THWN) cable from the panel to the zone box and allows for savings by removing the need to lay conduit and pull wire.

Catalog Number	Length
<b>ZBHR25</b>	25 ft.
<b>ZBHR50</b>	50 ft.
<b>ZBHR75</b>	75 ft.
<b>ZBHR100</b>	100 ft.



# Raised Access Floor Boxes

## 2-Gang Rectangular Cover Series

### Rectangular Box - Contact Hubbell Wiring Systems for custom, pre-wired floor boxes

- 5 in. deep box allows for 2 in. conduits - ideal for furniture feed applications
- 2 ½ in. provides a solution for floors using short pedestals

Standard	Chicago	Knockouts Standard Style Only	Box Depth	Max Tile Thickness	Depth Behind Plate	Device Volume	Cover Series
<b>AFB2G50</b>	<b>AFB2G50CHI</b>	½ in. to 2 in.	5 in.	2 in.	2 ½ in.	60 cu. in.	<b>2GAFB</b>
<b>AFB2G25</b>	<b>AFB2G25CHI</b>	½ in. and ¾ in.	2 ½ in.	1 in.	2 ½ in.	30 cu. in.	<b>2GAFB</b>



**AFB2G25**



**AFB2G50 with  
2GAFBVCVRBK**

### Plates - for use in 2-Gang Floor Boxes

- UL 514A listed

Plate Style	(1) Decorator Opening	(1) Duplex Opening	(2) Extron® MAAP Openings	(2) Extron® Openings
Cat. No.	<b>FBMPREC</b>	<b>FBMPDUP</b>	<b>FBMPMAAP</b>	<b>FBMPAAP</b>



Plate Style	(2) 1 Unit Hubbell iStation Openings	(1) 1.5 Unit Hubbell iStation Opening	(1) Simplex Opening 1.40 in. Diameter	(1) Twist-Lock® Opening 1.60 in. Diameter
Cat. No.	<b>FBMP2IM</b>	<b>FBMP15IM</b>	<b>FBMP139</b>	<b>FBMP156</b>



Plate Style	1-Gang Blank	Cable Feed-Through with Bushing	(1) Opening for TracJack® or Series II®	(1) Opening with Hubbell ISF6 Frame for Keystone Jacks
Cat. No.	<b>FBMPBNK</b>	<b>FBMPFT</b>	<b>FBMPTRAC</b>	<b>FBMP6KS</b>



### Rectangular Covers (for use with raised access tiles and wood floors)

- UL 514A listed
- Maximum static load of 800 lbs with 2x safety factor\*
- Five architectural powder coat finishes



Die Cast Construction Powder Coated Finish	2-Gang Rectangular Cover		
	Surface Style	Surface Style with Insert	Furniture Feed Cover
Aluminum	<b>2GAFBCVRALU</b>	<b>2GAFBCVRALUC</b>	<b>2GAFBFFCVRALU</b>
Black	<b>2GAFBCVRBK</b>	<b>2GAFBCVRBKC</b>	<b>2GAFBFFCVRBK</b>
Brass	<b>2GAFBCVRBRS</b>	<b>2GAFBCVRBRSC</b>	<b>2GAFBFFCVRBRS</b>
Bronze	<b>2GAFBCVRBRZ</b>	<b>2GAFBCVRBRZC</b>	<b>2GAFBFFCVRBRZ</b>
Satin Nickel	<b>2GAFBCVRNK</b>	<b>2GAFBCVRNKC</b>	<b>2GAFBFFCVRNK</b>

Note: \*Load applied through a 3 in. (76mm) mandrel in center of the cover.



# Raised Access Floor Boxes

## 4-Gang Rectangular Cover Series

### Rectangular Box - Contact Hubbell Wiring Systems for custom, pre-wired floor boxes

- 5 in. deep box allows for 2 in. conduits - ideal for furniture feed applications
- 2 ½ in. provides a solution for floors using short pedestals

Standard	Chicago	Knockouts Standard Style Only	Box Depth	Max Tile Thickness	Depth Behind Plate	Device Volume	Cover Series
<b>AFB4G50</b>	<b>AFB4G50CHI</b>	½ in. to 2 in.	5 in.	2 in.	2 ½ in.	57 ½ cu. in.	<b>4GAFB</b>
<b>AFB4G25</b>	<b>AFB4G25CHI</b>	½ in. and ¾ in.	2 ½ in.	1 in.	2 ½ in.	26 ½ cu. in.	<b>4GAFB</b>



**AFB4G50**

### Plates - for use in 2, 4 and 6-Gang Floor Boxes

- UL 514A listed

Plate Style	(1) Decorator Opening	(1) Duplex Opening	(2) Extron® MAAP Openings	(2) Extron® Openings
Cat. No.	<b>FBMPREC</b>	<b>FBMPDUP</b>	<b>FBMPMAAP</b>	<b>FBMPAAP</b>



Plate Style	(2) 1 Unit Hubbell iStation Openings	(1) 1.5 Unit Hubbell iStation Opening	(1) Simplex Opening 1.40 in. Diameter	(1) Twist-Lock® Opening 1.60 in. Diameter
Cat. No.	<b>FBMP2IM</b>	<b>FBMP15IM</b>	<b>FBMP139</b>	<b>FBMP156</b>



Plate Style	1-Gang Blank	Cable Feed-Through with Bushing	(1) Opening for TracJack® or Series II®	(1) Opening with Hubbell ISF6 Frame for Keystone Jacks
Cat. No.	<b>FBMPBNK</b>	<b>FBMPFT</b>	<b>FBMPTRAC</b>	<b>FBMP6KS</b>



**AFB4G25 with  
4GAFBCVRBK**

### Rectangular Covers (for use with raised access tiles and wood floors)

- UL 514A listed
- Maximum static load of 800 lbs with 2x safety factor\*
- Five architectural powder coat finishes



Die Cast Construction Powder Coated Finish	4-Gang Rectangular Cover	
	Surface Style	Surface Style with Insert
Aluminum	<b>4GAFBCVRALU</b>	<b>4GAFBCVRALUC</b>
Black	<b>4GAFBCVRBK</b>	<b>4GAFBCVRBKUC</b>
Brass	<b>4GAFBCVRBRS</b>	<b>4GAFBCVRBRSC</b>
Bronze	<b>4GAFBCVRBRZ</b>	<b>4GAFBCVRBRZC</b>
Satin Nickel	<b>4GAFBCVRNK</b>	<b>4GAFBCVRNKUC</b>

Note: \*Load applied through a 3 in. (76mm) mandrel in center of the cover.



# Raised Access Floor Boxes 4-Gang Round Cover Series

## RAFB4 Series - Contact Hubbell Wiring Systems for custom, pre-wired floor boxes

Includes:

- Base box shipped with temporary install cover

Catalog Number	Cover Series	Depth	Tile Thickness	Depth Behind Plate	Knockouts	Diameter
<b>RAFB4BASE</b>	<b>CFBS1R8</b>	6 ¼ in.	¾ in. - 2 in.	2 ¾ in.	¾ in. - 2 in.	8 in.



**RAFB4BASE**

## RAFB4 Series – Round Floor Box with Cover

Includes:

- **RAFB4BASE** and 8 in. cover

Cover Finish	Catalog Number
Brushed Aluminum	<b>RAFB4ALU</b>
Black Powder Coated	<b>RAFB4BLK</b>
Brass Plated	<b>RAFB4BRS</b>
Bronze Plated	<b>RAFB4BRZ</b>
Satin Nickel Plated	<b>RAFB4NKL</b>



**RAFB4BRS**



**RAFB4NKL**  
with Devices



## Round Covers

Round covers are suitable for use with all floor types

Plate Style	Brushed Aluminum	Black Powder Coated	Brass Plated	Bronze Plated	Satin Nickel Plated
Catalog Number	<b>CFBS1R8CVRALU</b>	<b>CFBS1R8CVRBLK</b>	<b>CFBS1R8CVRBRS</b>	<b>CFBS1R8CVRBRZ</b>	<b>CFBS1R8CVRNKL</b>

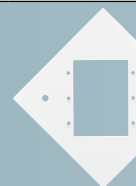
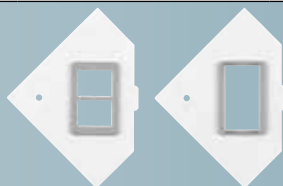
## RAFB4 Series – Plates

- All **RAFB4SP** series plates are powder coated white

Plate Style	(1) Decorator	(1) Duplex	Blank	(1) Simplex Opening 1.40 in. Diameter	(1) Twist-Lock® Opening 1.60 in. Diameter
Catalog Number	<b>RAFB4SPDECO</b>	<b>RAFB4SPDUPLICATE</b>	<b>RAFB4SPBLANK</b>	<b>RAFB4SPTL14</b>	<b>RAFB4SPTL16</b>



Plate Style	(1) Hubbell iStation Opening for 3 Units	Opening to Accept Bezels for Ortronics TracJack®	(3) Extron® MAAP Modules	(2) Extron® AAP Modules
Catalog Number	<b>RAFB4SP3UIS</b>	<b>RAFB4SPORT</b>	<b>RAFB4SP3MAAP</b>	<b>RAFB4SP2AAP</b>



Extron® is a registered trademark of Extron Electronics.  
Crestron® is a registered trademark of Crestron Electronics, Inc.  
FSR® is a registered trademark of FSR Inc.  
TracJack®, Series II® and Ortronics® are registered trademarks of Ortronics/Legrand.

# Raised Access Floor Boxes

## 10-Gang Series

### AFB10G Series - Contact Hubbell Wiring Systems for custom, pre-wired floor boxes

- Designed for wood and tile applications
- 5 ½ in. deep box allows for 2 in. conduits - ideal for furniture feed applications

Catalog Number	Box Type	Knockouts	Box Depth	Max Tile Thickness	Depth Behind Plate	Device Volume	Cover Series
<b>AFB10G55</b>	Standard	½ in. to 2 in.	5 ½ in.	2 in.	2 ½ in.	57 ½ cu. in.	10GAFB
<b>AFB10G55CHI</b>	Chicago	None					



**AFB10G55**



**AFB10G55**  
with Devices

### Rectangular Covers (for use with raised access tiles and wood floors)

- Die cast construction available in five architectural finishes
- UL 514A listed
- Maximum static load of 1500 lbs with 2x safety factor\*

Finish	Surface Style Cover	Surface Style Cover with Insert
Aluminum Powder Coated	<b>10GAFBCVRALU</b>	<b>10GAFBCVRALUC</b>
Black Powder Coated	<b>10GAFBCVRBK</b>	<b>10GAFBCVRBKC</b>
Brass Powder Coated	<b>10GAFBCVRBRS</b>	<b>10GAFBCVRBRSC</b>
Bronze Powder Coated	<b>10GAFBCVRBRZ</b>	<b>10GAFBCVRBRZC</b>
Satin Nickel Powder Coated	<b>10GAFBCVRNK</b>	<b>10GAFBCVRNKC</b>

Note: \*Load applied through a 3 in. (76mm) mandrel in center of the cover.



### RAFB10 Series – Plates

Plate Style	(1) Decorator Opening	(1) Duplex Opening	Blank	Decorator Opening Plate Including Hubbell ISF6GY	(2) Openings to Accommodate (6) Ortronics TracJack®
Cat. No.	<b>FB10MPREC</b>	<b>FB10MPDUP</b>	<b>FB10MPBNK</b>	<b>FB10MPKEY</b>	<b>FB10MPTRAC</b>



Plate Style	(2) Decorator Openings	(4) Extron® MAAP Modules	(4) Extron® AAP Modules	For (6) 1 Unit Hubbell iStation Modules	Replacement Spacer Around Wire-Way
Cat. No.	<b>FB10MP2A</b>	<b>FB10MPMAAP</b>	<b>FB10MPAAP</b>	<b>FB10MP2B</b>	<b>FB10MPX</b>



Plate Style	(1) Twist-Lock® Opening 1.60 in. Dia. (Uses 2 Gangs)	(1) Simplex Opening 1.40 in. Dia. (Uses 2 Gangs)	(2) Twist-Lock® Opening 1.60 in. Dia. (Uses 3 Gangs)	(2) Simplex Opening 1.40 in. Dia. (Uses 3 Gangs)
Cat. No.	<b>FB10TLA</b>	<b>FB10TLX</b>	<b>FB10TLB</b>	<b>FB10TLY</b>



Plate Style	(3) Twist-Lock® Opening 1.60 in. Dia. (Uses 5 Gangs)	(3) Simplex Opening 1.40 in. Dia. (Uses 5 Gangs)	(2) 2-Gang. Meets NEMA Spacing. Ideal for Crestron® DM -TX Product and Power	(4) Single Service Openings Utilizing NEMA Wallplate (Uses 5 Gangs)
Cat. No.	<b>FB10TLC</b>	<b>FB10TLZ</b>	<b>CFB10NEMA</b>	<b>FB10MPNEMA4G</b>



Extron® is a registered trademark of Extron Electronics.  
 Crestron® is a registered trademark of Crestron Electronics, Inc.  
 FSR® is a registered trademark of FSR Inc.  
 TracJack®, Series II® and Ortronics® are registered trademarks of Ortronics/LeGrand.

# Additional Hubbell Products Compatible with Raised Access Floor Boxes

## Receptacles, GFCIs and USB Devices

Hubbell offers a variety of tamper-resistant receptacles that comply with NEC requirements that all 15A and 20A 125V receptacles shall be "tamper-resistant" in child care facilities and residencies.



### Style Line® Decorator Commercial Spec. Grade Receptacles

Description	Color	15A 120 V AC	20A 125V AC
Smooth nylon face, Style Line® decorator duplex, back and side wired	Almond	<b>DR15AL</b>	<b>DR20AL</b>
	Black	<b>DR15BLK</b>	<b>DR20BLK</b>
	Brown	<b>DR15</b>	<b>DR20</b>
	Gray	<b>DR15GRY</b>	<b>DR20GRY</b>
	Ivory	<b>DR15I</b>	<b>DR20I</b>
	Light Almond	<b>DR15LA</b>	<b>DR20LA</b>
	Red	<b>DR15R</b>	<b>DR20R</b>
	White	<b>DR15WHI</b>	<b>DR20WHI</b>
Tamper-Resistant, Style Line® decorator duplex, smooth nylon face, back and side wired	Almond	<b>DR15ALTR</b>	<b>DR20ALTR</b>
	Black	<b>DR15BLKTR</b>	<b>DR20BLKTR</b>
	Brown	<b>DR15TR</b>	<b>DR20TR</b>
	Gray	<b>DR15GRYTR</b>	<b>DR20GRYTR</b>
	Ivory	<b>DR15ITR</b>	<b>DR20ITR</b>
	Light Almond	<b>DR15LATR</b>	<b>DR20LATR</b>
	White	<b>DR15WHITR</b>	<b>DR20WHITR</b>



### AUTOGUARD® Self Test GFCI Receptacles Tamper-Resistant and Weather Resistant

Description	Color	15A 120 V AC	20A 125V AC
Flush, nylon face, back and side wired, multiple drive screws, auto-grounding clip	Black	<b>GFTWRST15BK</b>	<b>GFTR20BK</b>
	Brown	<b>GFTWRST15</b>	<b>GFTR20</b>
	Gray	<b>GFTWRST15GY</b>	<b>GFTR20GY</b>
	Ivory	<b>GFTWRST15I</b>	<b>GFTR20I</b>
	Light Almond	<b>GFTWRST15LA</b>	<b>GFTR20LA</b>
	Red	<b>GFTWRST15R</b>	<b>GFTR20R</b>
	White	<b>GFTWRST15W</b>	<b>GFTR20W</b>

### USB Charging Receptacles, Tamper-Resistant

Description	Color	15A 120 V AC	20A 125V AC
Two USB ports 3.8 Amp, 5V DC, Type A, class 2.0 Style Line® decorator duplex	Black	<b>USB15X2BK</b>	<b>USB20X2BK</b>
	Brown	<b>USB15X2</b>	<b>USB20X2</b>
	Gray	<b>USB15X2GY</b>	<b>USB20X2GY</b>
	Ivory	<b>USB15X2I</b>	<b>USB20X2I</b>
	Light Almond	<b>USB15X2LA</b>	<b>USB20X2LA</b>
	Red	<b>USB15X2R</b>	<b>USB20X2R</b>
	White	<b>USB15X2W</b>	<b>USB20X2W</b>

## AV Connections

Hubbell iSTATION products provide a consistent and practical solution for delivering all types of connections where you need them - in the wall, floor or table. Hubbell iSTATION's modular design allows users to custom configure plate solutions to their requirements.



### Modules

Description	Catalog Number
RCA Component, Video, Solder, 1 Unit	<b>IMCRS1xx</b>
RCA Component, Video, Gold, Pass-Through, F/F Coupler, 1 Unit	<b>IMCRF1</b>
HDMI Feed-Through Coupler	<b>HDMIC14</b>
Keystone HDMI Feed-Through	<b>SFHC14xx</b>

xx = Color: **AL** (Almond), **BK** (Black), **EI** (Ivory), **GY** (Gray), **OW** (Office White) and **W** (White).



### Unloaded Modules

Description	Catalog Number
Keystone; 1-Port; 1 Unit	<b>IM1K1xx</b>
Keystone; 2-Port; 1 Unit	<b>IM2K1xx</b>
SC Angled; 1-Duplex; 1.5 Unit	<b>IM1SCA15xx</b>
SC Angled; 2-Duplex; 2 Unit	<b>IM2SCA2xx</b>

### Blank 15-Pin/9-Pin HDMI

Description	Catalog Number
HD15/9-Pin or HDMI; 1 Unit	<b>IMBDS1xx</b>
with 3.5mm Stereo Jack; 1.5 Unit	<b>IMBDSA15xx</b>
with 3.5mm SJ+AV Conn; 2 Unit	<b>IMB153X2xx</b>

## Data and Audio/Video Connectivity

Hubbell's category rated modular jacks provide leading edge performance and innovative designs to support today's Ethernet protocols, IP devices and high bandwidth audio video applications. These connectors install with a snap and provide quick, easy "screw-on" termination.



### Data Jacks

Description	Category 6A	Category 6	Category 5e
1 per Bag/Cartron of 25	<b>HJ6Axx</b>	<b>HXJ6xx</b>	<b>HXJ5Exx</b>
25 per Bag/Cartron of 1	<b>HJ6Axx25</b>	<b>HXJ6xx25</b>	<b>HXJ5Exx25</b>

xx = Color: **AL** (Almond), **B** (Blue), **BK** (Black), **EI** (Electric Ivory), **GL** (Gold), **GY** (Gray), **GN** (Green), **LA** (Light Almond), **OW** (Office White), **OR** (Orange), **P** (Purple), **R** (Red), **TI** (Telco Ivory), **W** (White) and **Y** (Yellow).



### F-Type Connectors

F-Type Coupler	F-Type Coupler Bulkhead F/F Gold	F-Type to RCA Bulkhead F/F Gold	F-Type Recessed
<b>SFFxxX</b>	<b>SFFGxx</b>	<b>SFRFGxx</b>	<b>SFGRFxx</b>

xx = Color: **AL** (Almond), **BK** (Black), **GY** (Gray), **EI** (Ivory) **LA** (Light Almond), **OW** (Office White) and **W** (White). **SFRFG** Series not available in Almond or Light Almond. **SFGRF** Series not available in Light Almond.



# HUBBELL CONNEXION 2.0

Visit the Hubbell website for a complete line of receptacles, data and AV devices.



## Hubbell Installation Efficiency Product Solutions



### Pre-Fab Solutions

Pre-fab solutions can reduce project costs by as much as 30% while simultaneously reducing on-site waste. The Rough-in Ready Pre-Fab solution offered by Hubbell provides a variety of options from innovative bracket to cable-ready assemblies.



### SNAPConnect® Modular Devices

Hubbell's SNAPConnect® modular devices save time and money, through innovative designs as well as through the delivery of a safe, reliable and durable connection. SNAPConnect® reduces labor costs during the initial installation and also provides future labor savings if device replacement or upgrade is ever required.

### Available Literature

Hubbell offers an extensive literature library for product support. Downloadable PDFs are available online.



Hubbell SystemOne  
Recessed 4, 6 and 8 Inch  
Fire-Rated Poke-Throughs



Hubbell SystemOne  
Recessed Floor Boxes



Hubbell Delivery Systems  
Product Guide

**HUBBELL®**  
Wiring Systems

[www.hubbell-wiring.com](http://www.hubbell-wiring.com)  
[www.hubbell-premise.com](http://www.hubbell-premise.com)

