

TWO-DOOR WITH FLOOR STANDS DISCONNECT ENCLOSURE, TYPE 12

INDUSTRY STANDARDS

UL 508A Listed; Type 12; File No. E61997
cUL Listed per CSA C22.2 No. 94; Type 12; File No. E61997

NEMA/EEMAC Type 12
CSA File No. 42186: Type 12
IEC 60529, IP55

APPLICATION

A disconnect can be installed on the centerpost or right side of this enclosure. Floor stands provide additional height and access for cleaning under the enclosure.

SPECIFICATIONS

- 11 gauge steel (.121 inch)
- Seams continuously welded and ground smooth
- Body stiffeners in larger enclosures for extra rigidity
- Body flange trough excludes liquids and contaminants
- Removable centerposts permit easy panel installation
- Concealed, easy-to-remove hinges
- Heavy-duty 3-point latching mechanism operated by padlocking handle on all doors
- Heavy-duty lifting eyes anchor into reinforced top
- Data pocket is high impact thermoplastic
- 15-in. floor stands are welded to enclosure
- Provisions for mounting lights
- Oil-resistant door gasket
- Panel supports
- Collar studs provided for mounting optional panels
- Master door is right-hand door on X enclosures and left-hand door on CPX enclosures
- Integral defeater on master door handle requires a screwdriver to open
- Mechanical interlock operated by master door prevents slave door from being opened first. Doors can be closed in any order.
- Includes door hardware

FINISH

Two finishes are available: ANSI 61 gray, polyester powder paint outside and inside; or ANSI 61 outside and white, polyester powder paint inside. Optional panels have white or conductive finish.

ACCESSORIES

Panels for Type 3R, 4, 4X, 12 and 12 Enclosure
Operator Adapters for Universal Cutouts
PANELITE Enclosure Lights
SPECTRACOOOL Indoor/Outdoor
HF Side-Mount Filter Fans

MODIFICATION AND CUSTOMIZATION

Hoffman excels at modifying and customizing products to your specifications. Contact your local Hoffman sales office or distributor for complete information.

BULLETIN: A21

Standard Product Provision for Disconnect Operator on Right Flange

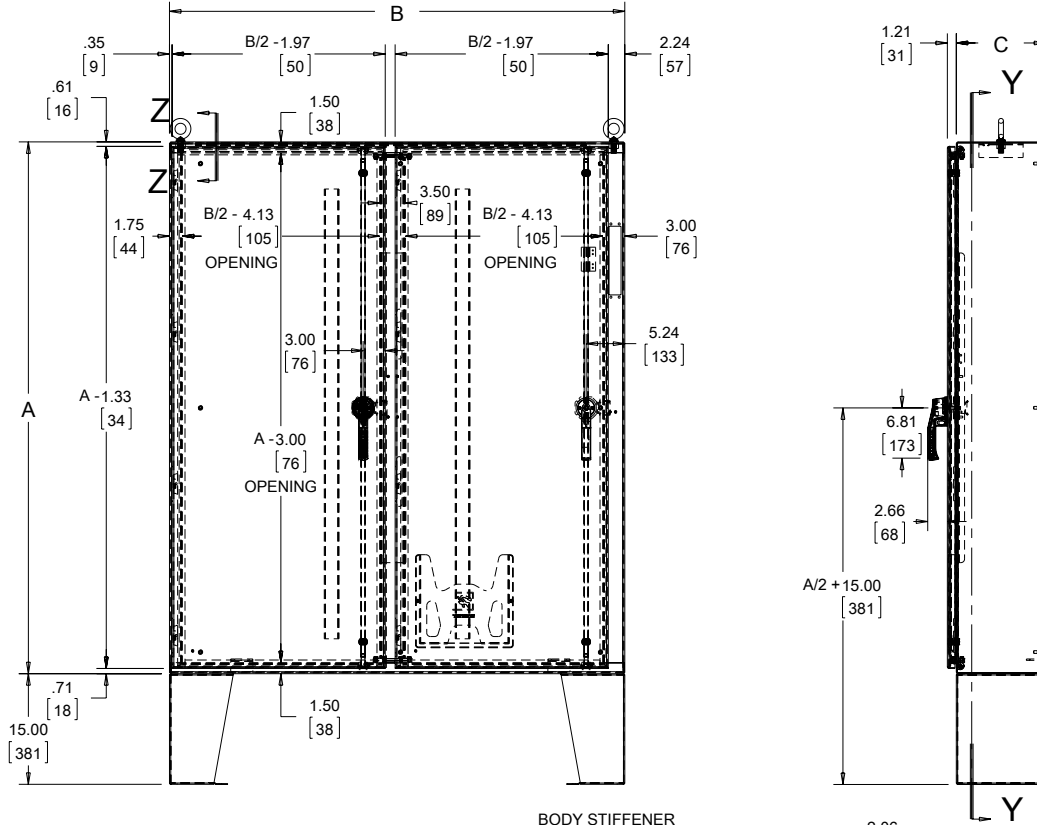
| Catalog Number | AxBxC in. | AxBxC mm | Panel | Interior Finish | Conductive Panel | Panel Size D x E (in.) | Panel Size D x E (mm) | Stiffener Position S (in.) | Stiffener Position S (mm) |
|----------------|-----------------------|-------------------|--------|-----------------|------------------|------------------------|-----------------------|----------------------------|---------------------------|
| A60X4912LPFTCG | 60.12 x 49.75 x 12.12 | 1527 x 1264 x 308 | A60P48 | Gray | A60P48G | 56.00 x 44.00 | 1422 x 1118 | None | None |
| A60X4912LPFTC | 60.13 x 49.75 x 12.12 | 1527 x 1264 x 308 | A60P48 | White | A60P48G | 56.00 x 44.00 | 1422 x 1118 | None | None |
| A60X6112LPFTCG | 60.12 x 61.75 x 12.12 | 1527 x 1568 x 308 | A60P60 | Gray | A60P60G | 56.00 x 56.00 | 1422 x 1422 | 21.00 | 533 |
| A60X6112LPFTC | 60.13 x 61.75 x 12.12 | 1527 x 1568 x 308 | A60P60 | White | A60P60G | 56.00 x 56.00 | 1422 x 1422 | 21.00 | 533 |
| A72X6112LPFTCG | 72.12 x 61.75 x 12.12 | 1832 x 1568 x 308 | A72P60 | Gray | A72P60G | 68.00 x 56.00 | 1727 x 1422 | 21.00 | 533 |
| A72X6112LPFTC | 72.13 x 61.75 x 12.12 | 1832 x 1568 x 308 | A72P60 | White | A72P60G | 68.00 x 56.00 | 1727 x 1422 | 21.00 | 533 |
| A72X7312LPFTCG | 72.12 x 73.75 x 12.12 | 1832 x 1873 x 308 | A72P72 | Gray | A72P72G | 68.00 x 68.00 | 1727 x 1727 | 24.00 | 610 |
| A72X7312LPFTC | 72.13 x 73.75 x 12.12 | 1832 x 1873 x 308 | A72P72 | White | A72P72G | 68.00 x 68.00 | 1727 x 1727 | 24.00 | 610 |
| A60X4918LPFTCG | 60.12 x 49.75 x 18.12 | 1527 x 1264 x 460 | A60P48 | Gray | A60P48G | 56.00 x 44.00 | 1422 x 1118 | None | None |
| A60X4918LPFTC | 60.13 x 49.75 x 18.12 | 1527 x 1264 x 460 | A60P48 | White | A60P48G | 56.00 x 44.00 | 1422 x 1118 | None | None |
| A60X6118LPFTCG | 60.12 x 61.75 x 18.12 | 1527 x 1568 x 460 | A60P60 | Gray | A60P60G | 56.00 x 56.00 | 1422 x 1422 | 21.00 | 533 |
| A60X6118LPFTC | 60.13 x 61.75 x 18.12 | 1527 x 1568 x 460 | A60P60 | White | A60P60G | 56.00 x 56.00 | 1422 x 1422 | 21.00 | 533 |
| A72X6118LPFTCG | 72.12 x 61.75 x 18.12 | 1832 x 1568 x 460 | A72P60 | Gray | A72P60G | 68.00 x 56.00 | 1727 x 1422 | 21.00 | 533 |
| A72X6118LPFTC | 72.13 x 61.75 x 18.12 | 1832 x 1568 x 460 | A72P60 | White | A72P60G | 68.00 x 56.00 | 1727 x 1422 | 21.00 | 533 |
| A72X7318LPFTCG | 72.12 x 73.75 x 18.12 | 1832 x 1873 x 460 | A72P72 | Gray | A72P72G | 68.00 x 68.00 | 1727 x 1727 | 24.00 | 610 |
| A72X7318LPFTC | 72.13 x 73.75 x 18.12 | 1832 x 1873 x 460 | A72P72 | White | A72P72G | 68.00 x 68.00 | 1727 x 1727 | 24.00 | 610 |
| A60X4924LPFTCG | 60.12 x 49.75 x 24.12 | 1527 x 1264 x 613 | A60P48 | Gray | A60P48G | 56.00 x 44.00 | 1422 x 1118 | None | None |
| A60X4924LPFTC | 60.12 x 49.75 x 24.12 | 1527 x 1264 x 613 | A60P48 | White | A60P48G | 56.00 x 44.00 | 1422 x 1118 | None | None |
| A60X6124LPFTCG | 60.12 x 61.75 x 24.12 | 1527 x 1568 x 613 | A60P60 | Gray | A60P60G | 56.00 x 56.00 | 1422 x 1422 | 21.00 | 533 |
| A60X6124LPFTC | 60.12 x 61.75 x 24.12 | 1527 x 1568 x 613 | A60P60 | White | A60P60G | 56.00 x 56.00 | 1422 x 1422 | 21.00 | 533 |
| A72X7324LPFTCG | 72.12 x 73.75 x 24.12 | 1832 x 1873 x 613 | A72P72 | Gray | A72P72G | 68.00 x 68.00 | 1727 x 1727 | 24.00 | 610 |
| A72X7324LPFTC | 72.13 x 73.75 x 24.12 | 1832 x 1873 x 613 | A72P72 | White | A72P72G | 68.00 x 68.00 | 1727 x 1727 | 24.00 | 610 |

Purchase panels separately.

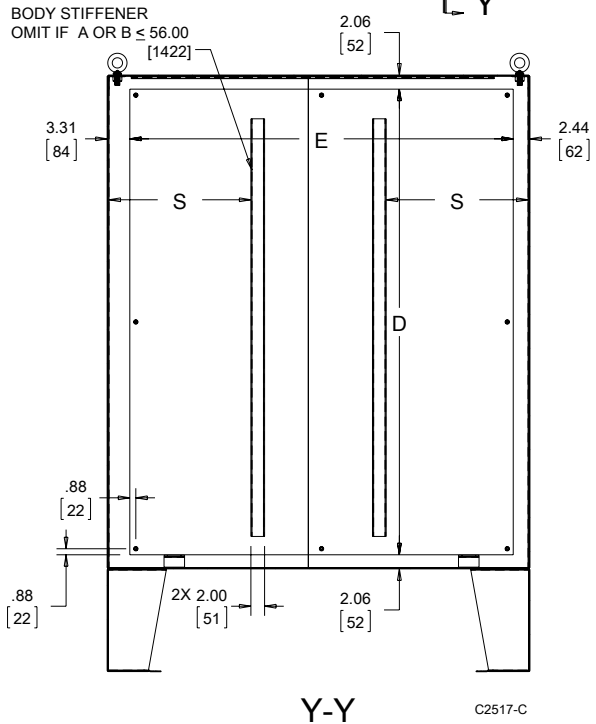
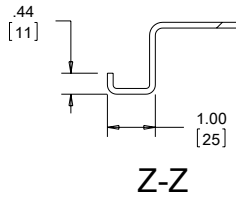
All 24.12-in. (613-mm) and deeper enclosures using short connecting rods in the following models require a Hoffman platform assembly, catalog number ADSCPLA, purchased separately. • ABB Controls flange-operated devices • Eaton Cutler-Hammer C361 devices • Eaton Cutler-Hammer C371 mechanisms which use C371E, F, G, K operating mechanism (see footnote below) • General Electric Type TDA devices (see footnote below) • Schneider Square D Class 9422 devices (see footnote below)

The platform assembly can be omitted if long connecting rods are ordered in place of short connecting rods. • For Eaton Cutler-Hammer operating mechanisms C371E and C371F order catalog number C371CS1 connecting rod. For C371G and C371K order catalog number C371CS2 connecting rod. • For General Electric devices, order catalog number TDSR extended length drive rod • For Schneider Square D devices, order catalog number 9422-R2 extra long operating rod(s). Some devices require two rods.

Disconnect Operator on Right Flange



Notes:
Panels are .121-in. steel. Order separately.
Right door is master door.



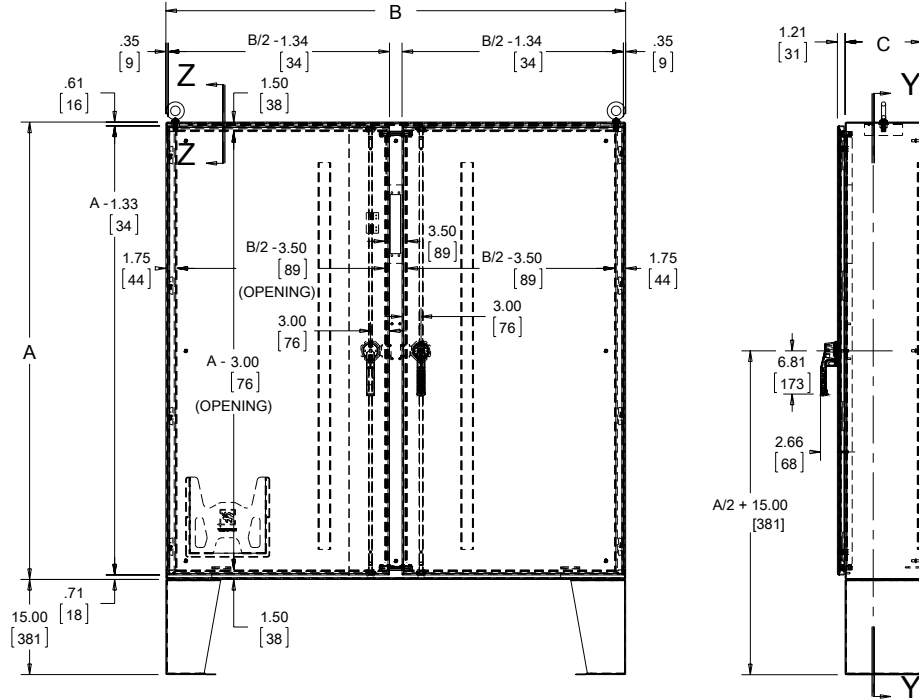
C2517-C

Standard Product Provision for Disconnect Operator on Centerpost

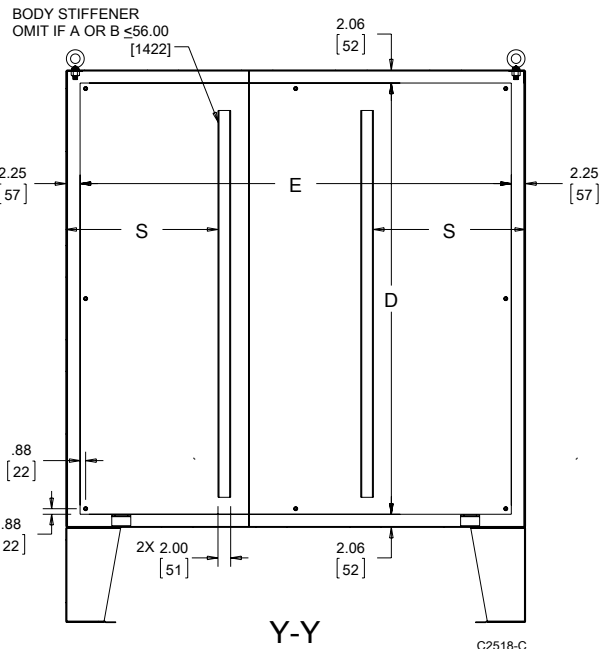
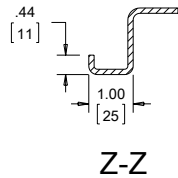
| Catalog Number | AxBxC in. | AxBxC mm | Panel | Conductive Panel | Panel Size D x E (in.) | Panel Size D x E (mm) | Stiffener Position S (in.) | Stiffener Position S (mm) |
|------------------|-----------------------|-------------------|--------|------------------|------------------------|-----------------------|----------------------------|---------------------------|
| A60CPX4812LPFTCG | 60.12 x 48.50 x 12.12 | 1527 x 1232 x 308 | A60P48 | A60P48G | 56.00 x 44.00 | 1422 x 1118 | None | None |
| A60CPX4812LPFTC | 60.13 x 48.50 x 12.12 | 1527 x 1232 x 308 | A60P48 | A60P48G | 56.00 x 44.00 | 1422 x 1118 | None | None |
| A60CPX6012LPFTCG | 60.12 x 60.50 x 12.12 | 1527 x 1537 x 308 | A60P60 | A60P60G | 56.00 x 56.00 | 1422 x 1422 | 21.00 | 533 |
| A60CPX6012LPFTC | 60.13 x 60.50 x 12.12 | 1527 x 1537 x 308 | A60P60 | A60P60G | 56.00 x 56.00 | 1422 x 1422 | 21.00 | 533 |
| A72CPX7212LPFTCG | 72.12 x 72.50 x 12.12 | 1832 x 1842 x 308 | A72P72 | A72P72G | 68.00 x 68.00 | 1727 x 1727 | 24.00 | 610 |
| A72CPX7212LPFTC | 72.13 x 72.50 x 12.12 | 1832 x 1842 x 308 | A72P72 | A72P72G | 68.00 x 68.00 | 1727 x 1727 | 24.00 | 610 |
| A72CPX7218LPFTCG | 72.12 x 72.50 x 18.12 | 1832 x 1842 x 460 | A72P72 | A72P72G | 68.00 x 68.00 | 1727 x 1727 | 24.00 | 610 |
| A72CPX7218LPFTC | 72.13 x 72.50 x 18.12 | 1832 x 1842 x 460 | A72P72 | A72P72G | 68.00 x 68.00 | 1727 x 1727 | 24.00 | 610 |

Purchase panels separately.

The platform assembly can be omitted if long connecting rods are ordered in place of short connecting rods. • For Cutler-Hammer operating mechanisms C371E and C371F order catalog number C371CS1 connecting rod. For C371G and C371K order catalog number C371CS2 connecting rod. • For General Electric devices, order catalog number TDSR extended length drive rod • For Square D devices, order catalog number 9422-R2 extra long operating rod(s). Some devices require two rods.

Disconnect Operator on Centerpost


Notes:
 Panels are .121 steel. Order separately.
 Left door is master door.



C2518-C

DISCONNECT MOUNTING SPACE

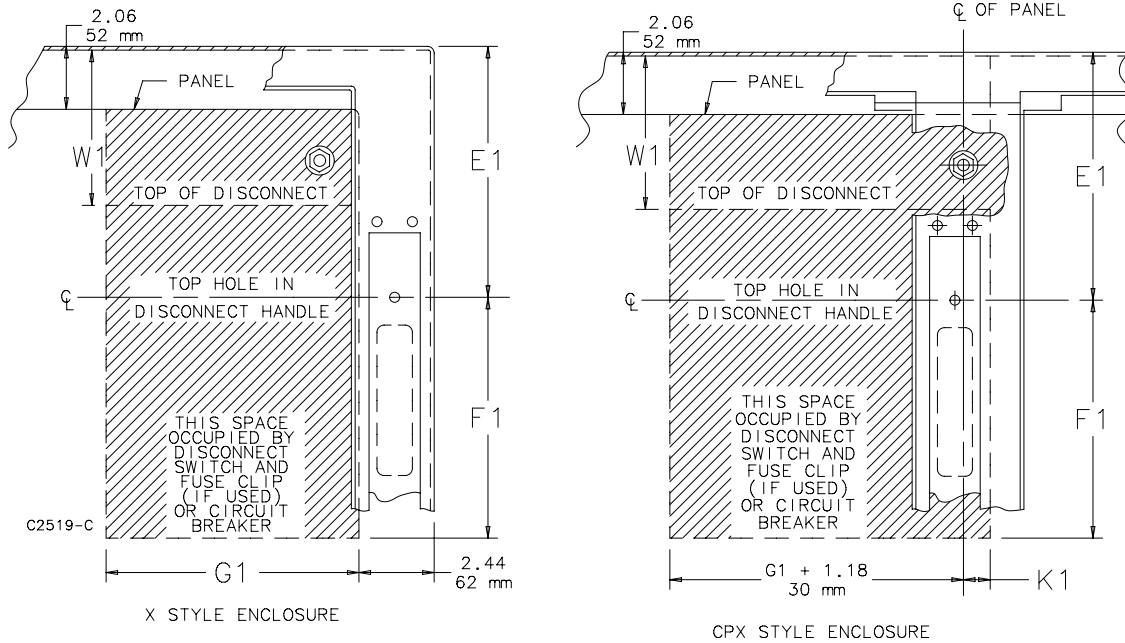
Disconnects are located by dimension E1. Wiring space W1 is available when disconnect is installed in the enclosure. See Technical Information chapter for E1 Spacing by Enclosure Height for various disconnect switch manufacturers.

W1 = Wiring Space

See *Technical Information* chapter for wire bend space.

Refer to **NATIONAL ELECTRICAL CODE, 2005** article 430-10(b) for wiring space required for line side conductors to be connected to disconnect. **Verify your application to determine whether wiring space is adequate.**

Consult *Space Occupied by Disconnect* drawing to determine whether the disconnect device you are using will fit the enclosure size you have selected.



Consult disconnect manufacturer for F1 and G1 dimensions.

UNIVERSAL CUTOUT OVERVIEW



APPLICATION

The universal cutout is used in large freestand and floorstand enclosures, i.e., Bulletins A21(S), A28(S), A34 and A4L3D. Operator Adapter Kits are required in order to install the various manufacturers' hardware. Note that 400A (or greater) disconnect switches and 600A (or greater) circuit breakers require the "Large" or "High Amp" cutout and large handle. A 200A (or less) disconnect switch and 400A (or less) circuit breaker require a small handle, which is provided in the ABL kit for Allen-Bradley variable-depth disconnect switches or the SITEL kit for Siemens (and select other manufacturers) flex-cable devices. The "Large" or "High Amp" cutout accepts the larger operating handle whose mounting hole centers are 6.500-in. apart.

Universal cutouts are designed to house the following:

Allen-Bradley

- Bulletin 1494F flange-mount disconnect switches and Bulletin 1494D flange-mount operators for circuit breakers

- Bulletin 1494V disconnect switches with flange-mount variable-depth operating mechanisms and Bulletin 1494V flange-mount variable-depth operating mechanisms for circuit breakers
- Bulletin 140U flexible cable operating mechanisms for 140U molded case circuit breakers
- Bulletin 140G flexible cable and variable depth flange-mount molded case circuit breakers
- Bulletin 1494C cable-operated disconnect switches with flange-mount handles
- Bulletin 194RC cable-operated flange-mount handles for use with the NFPA 79 compliant 194R IEC rotary disconnect switches

ABB Controls flange-mount variable-depth operating mechanisms for disconnect switches and circuit breakers. Also the cable version for circuit breakers.

Eaton Cutler-Hammer Type C361 disconnect switches and operator mechanisms, and Type C371 circuit breakers and circuit breaker operating mechanisms. Also Type SM safety handle mechanisms and FLEX SHAFT handle operators for circuit breakers.

General Electric Type STDA flange handles and variable-depth operating mechanisms for disconnect switches and circuit breakers. Also SPECTRAFLEX cable operators for circuit breakers.

Siemens ITE MAX FLEX® flange-mount variable-depth operating handles for disconnect switches and circuit breakers.

Schneider Square D® disconnect switches and circuit breakers used with Class 9422 flange-mount variable-depth operating mechanisms or cable mechanisms.

These enclosures will NOT receive Class 9422 bracket-mount disconnect devices, Class 9422TG1 or TG2 devices.

Disconnect Enclosures with Universal Cutout

Universal cutout requires an operator adapter for the brand and type of disconnect being used. See Disconnect Enclosure Accessories to select the operator adapter.

ORDERING

The disconnect switch, operating handle and operating mechanism must be ordered separately. See Technical Information in the Hoffman Specifier's Guide for wire bend space available when various manufacturers' disconnect switches are installed. Check the enclosure dimension drawings to verify the chosen disconnect switch will fit in the enclosure.

All 24.12-in. (613-mm) and deeper enclosures require long connecting rods to be ordered in place of short connecting rods.

Notes