

**GENESIS COMPACT INDOOR**



**M13**  
1000 BTU/Hr.  
293 Watt



**M17**  
1800 BTU/Hr.  
527 Watt



**M28**  
2200 BTU/Hr.  
645 Watt

**INDUSTRY STANDARDS**

UL/cUL Listed; Type 12; File No. SA6453  
UR/cUR Recognized

Maintains U/cUL Type 12 rating when properly installed on a UL/cUL Type 12 enclosure.  
UR/cUR Recognized on select models, reference performance data tables.  
CE  
EAC

**APPLICATION**

- Industrial automation
- Package handling equipment
- Security and defense systems
- And more

**FEATURES**

- Robust reciprocating compressor
- R134a or R407c earth-friendly refrigerant
- Models for 115, 230 and 460 single phase VAC power input
- UL Listed or Recognized to save customers time and money with agency approvals
- Operating temperature range from 50 F/10 C to 125 F/52 C
- Attractive industrial design with minimal use of visible fasteners
- Reliable mechanical thermostat located behind the filter of the unit; indoor air conditioner models include digital display on ambient side
- Low-carbon mild-steel sheet-metal cover for rugged factory environments
- Easy-mount flanges for simple installation

- Cleanable, reusable aluminum mesh filter protects coils for maximum cooling performance
- Mounting hardware, gaskets and user manual furnished with the unit
- Every unit functionally tested before shipping
- Standard Indoor Air Conditioner models also include:
  - Electro-Mechanical Thermostat
  - Surge Suppressor
  - Condensate Management System

**FINISH**

- RAL 7042 gray, semi-gloss powder-coat paint standard
- Other colors and textures available

**OPTIONS**

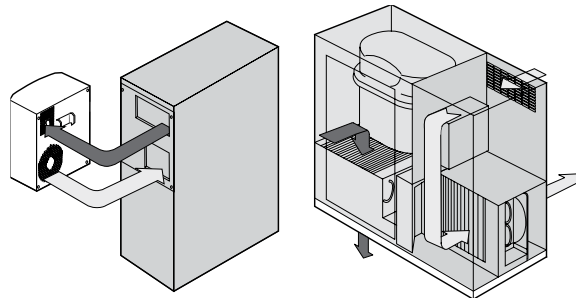
- Thermostat Malfunction Package
- Special Voltage Package
- Active Condensate Evaporator Package
- Outdoor Package\*
- Harsh Environment Package\*
- Stainless Steel Package\*
- Heater Package\*
  - \* T-Series or PROAIR may be more appropriate. Refer to T-Series A/C and PROAIR A/C Chapters. Consult the Factory for availability and catalog number.

**NOTES**

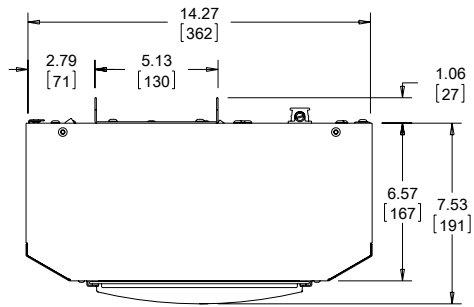
Visit [www.PentairProtect.com](http://www.PentairProtect.com) to download 2D and 3D CAD drawings into the overall design of your electrical system.

Performance Data M13 Models 1000 BTU/Hr. (293 Watt)

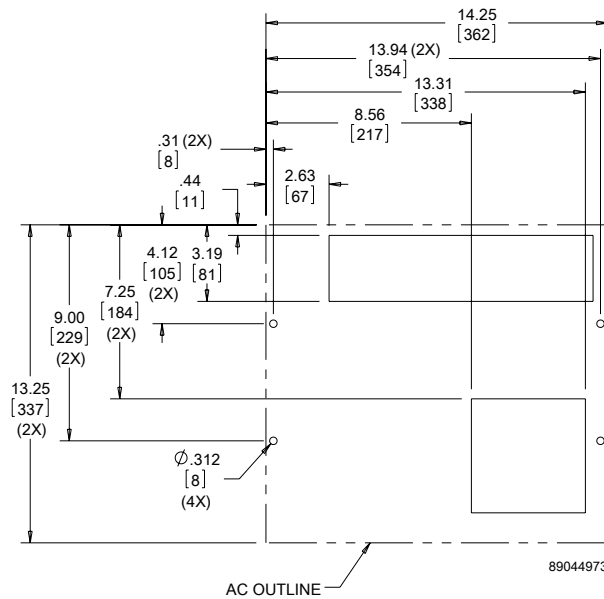
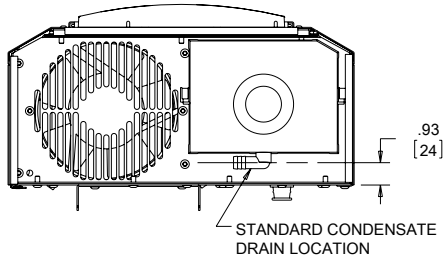
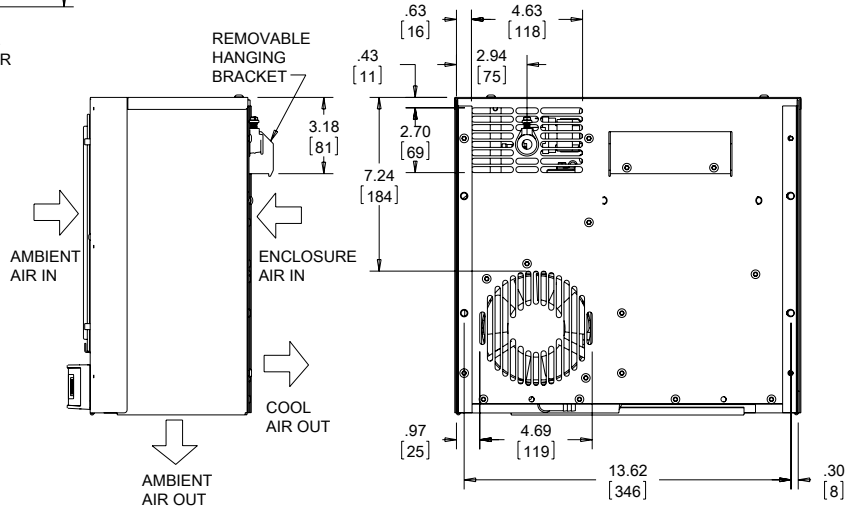
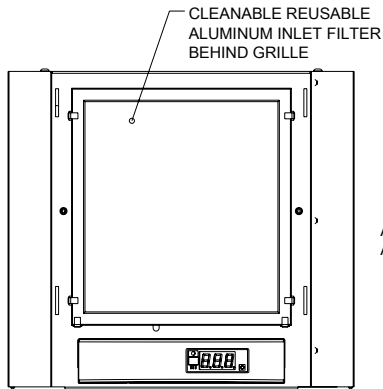
CATALOG NUMBER	M130116G1014	M130126G1008	M130146G1400
<b>COOLING PERFORMANCE</b>			
<b>Nominal:</b>			
BTU/Hr.	800/1000	800/1000	800/1000
Watts	234/293	234/293	234/293
Refrigerant	R-134A	R-134A	R-134A
Refrigerant Charge (ounces/grams)	5.5/156	4.8/136	4.8/136
Operating Temperature Range:			
Maximum (°F/°C)	125/52	125/52	125/52
Minimum (°F/°C)	50/10	50/10	50/10
Airflow at 0 Static Pressure:			
Internal loop 50 Hz (CFM / m <sup>3</sup> /hr.)	71/121	75/127	75/127
External loop 50 Hz (CFM / m <sup>3</sup> /hr.)	75/127	71/121	71/121
Internal loop 60 Hz (CFM / m <sup>3</sup> /hr.)	74/126	78/132	78/132
External loop 60 Hz (CFM / m <sup>3</sup> /hr.)	78/132	74/126	74/126
<b>ELECTRICAL DATA</b>			
Rated Voltage	100/115	220/230	460V 1PH
Frequency (Hz)	50/60	50/60	50/60
Operating Range	+/- 10%	+/- 10%	+/- 10%
Max. Power Consumption (W at 50/60 Hz)	449	598	683
Max. Nominal Current (A at 50/60 Hz)	3.7/3.9	2.6/2.6	1.5
Starting Current (A)	18.5	13.2	7.5
Agency Approvals	UL/cUL Listed CE EAC		cUR Recognized CE EAC
Others available upon request			
Power Input Description	6-ft. cord with NEMA 5-15 plug	6-ft. cord with NEMA 6-15 plug	6-ft. cord with wire leads
<b>ENCLOSURE PROTECTION</b>			
UL Type	Type 12 standard		
<b>CONTROLLER</b>			
Description	Basic mechanical thermostat		
Thermostat Location	Behind filter		
Factory Thermostat Setting (°F/°C)	80/27		
<b>SOUND LEVEL</b>			
At 1.5 Meters	56 dB(A)		
<b>UNIT CONSTRUCTION</b>			
Material	Mild steel sheet metal standard Stainless steel optional		
Finish	RAL 7042 gray, semi-gloss powder-coat paint standard		
<b>UNIT DIMENSIONS</b>			
Height (in./mm)	13.25/337	13.25/337	17.75/450.9
Width (in./mm)	14.25/362	14.25/362	14.25/362
Depth (in./mm)	7.8/198	7.8/198	7.8/198
Weight (lb./kg)	46/21	46/21	58/26



M13 Models 1000 BTU/Hr. (293 Watt)



- NOTE:  
 1. MOUNTING GASKET SUPPLIED (NOW SHOWN)  
 2. UNITS: in. [mm]  
 3. CUTOUT DIMENSIONS FOR STANDARD UNITS ONLY.

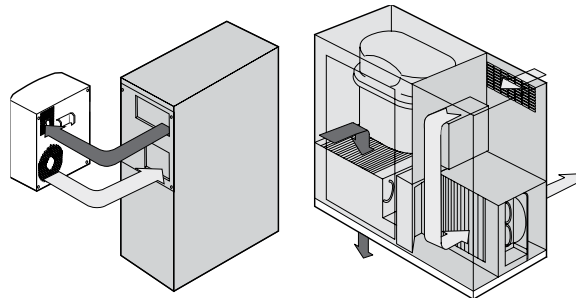


Cutout Dimensions

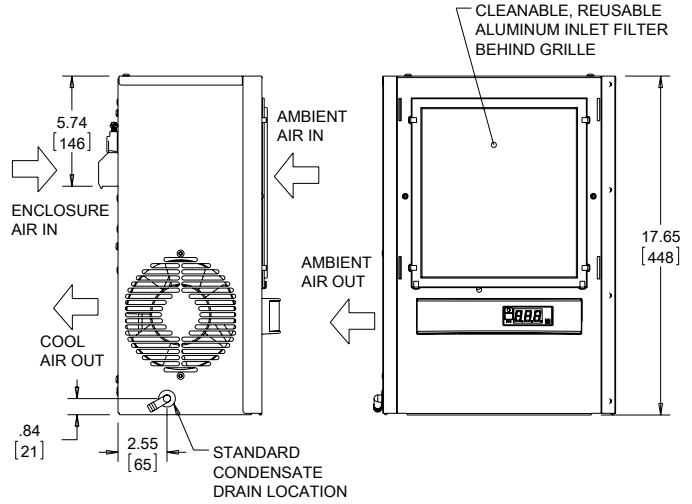
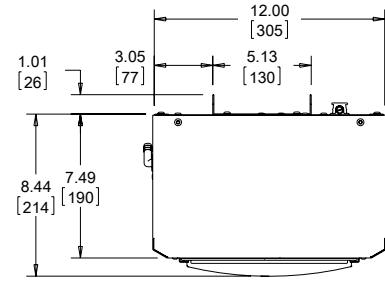
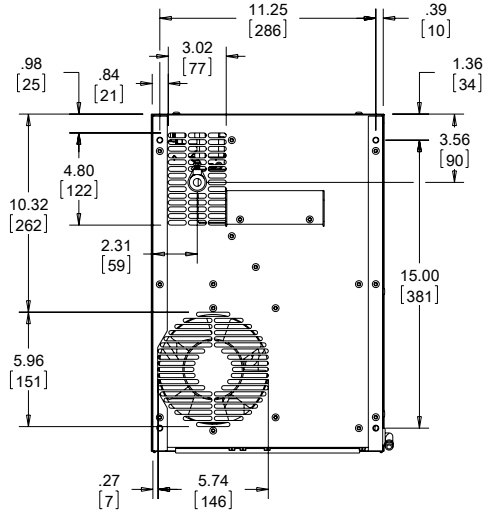
Visit [nVent.com/HOFFMAN](http://nVent.com/HOFFMAN) to download 2D and 3D CAD drawings into the overall design of your electrical system.

Performance Data M17 Models 1800 BTU/Hr. (527 Watt)

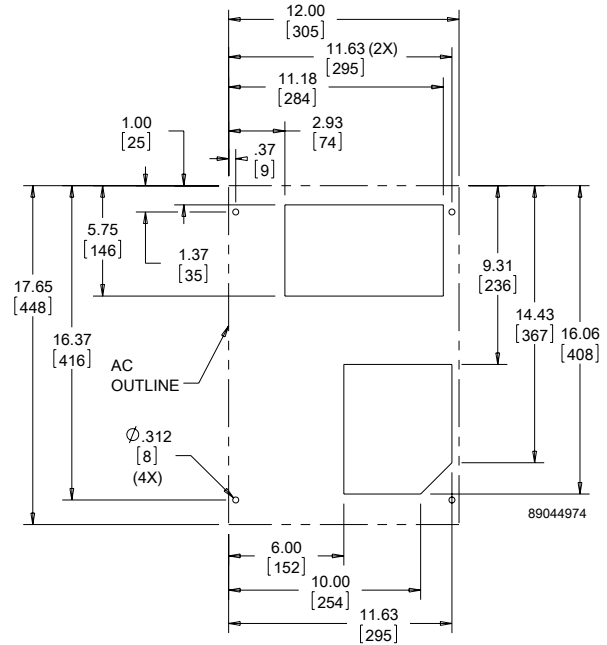
CATALOG NUMBER	M170216G009	M170226G004	M170246G400
<b>COOLING PERFORMANCE</b>			
<b>Nominal:</b>			
BTU/Hr.	1500/1800	1500/1800	1500/1800
Watts	440/527	440/527	440/527
Refrigerant	R-134A	R-134A	R-134A
Refrigerant Charge (ounces/grams)	5.8/165	5.2/148	5.2/148
Operating Temperature Range:			
Maximum (°F/°C)	125/52	125/52	125/52
Minimum (°F/°C)	50/10	50/10	50/10
Airflow at 0 Static Pressure:			
Internal loop 50 Hz (CFM / m <sup>3</sup> /hr.)	67/114	125/212	125/212
External loop 50 Hz (CFM / m <sup>3</sup> /hr.)	112/190	144/245	144/245
Internal loop 60 Hz (CFM / m <sup>3</sup> /hr.)	79/134	125/212	125/212
External loop 60 Hz (CFM / m <sup>3</sup> /hr.)	130/221	161/274	161/274
<b>ELECTRICAL DATA</b>			
Rated Voltage	100/115	220/230	460V 1PH
Frequency (Hz)	50/60	50/60	50/60
Operating Range	+/- 10%	+/- 10%	+/- 10%
Max. Power Consumption (W at 50/60 Hz)	720/793.5	682/713	780/815
Max. Nominal Current (A at 50/60 Hz)	7.2/6.9	3.1/3.1	1.7/1.8
Starting Current (A)	27.5	13	7.4
Agency Approvals	UL/cUL Listed CE EAC Others available upon request		cUR Recognized CE EAC
Power Input Description	6-ft. cord with NEMA 5-15 plug	6-ft. cord with NEMA 6-15 plug	6-ft. cord with wire leads
<b>ENCLOSURE PROTECTION</b>			
UL Type	Type 12 standard		
<b>CONTROLLER</b>			
Description	Basic mechanical thermostat		
Thermostat Location	Behind filter		
Factory Thermostat Setting (°F/°C)	80/27		
<b>SOUND LEVEL</b>			
At 1.5 Meters	60 dB(A)		
<b>UNIT CONSTRUCTION</b>			
Material	Mild steel sheet metal standard Stainless steel optional		
Finish	RAL 7042 gray, semi-gloss powder-coat paint standard		
<b>UNIT DIMENSIONS</b>			
Height (in./mm)	17.65/448	17.65/448	22.15/562.6
Width (in./mm)	12/305	12/305	12/305
Depth (in./mm)	8.68/220	8.68/220	8.68/220
Weight (lb./kg)	56/25	56/25	66/30



M17 Models 1800 BTU/Hr. (527 Watt)



- NOTE:  
 1. MOUNTING TEMPLATE SUPPLIED (NOT SHOWN)  
 2. UNITS: in. [mm]  
 3. CUTOUT DIMENSIONS FOR STANDARD UNITS ONLY



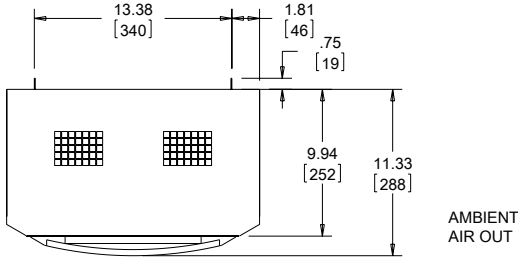
Cutout Dimensions

Visit [nVent.com/HOFFMAN](http://nVent.com/HOFFMAN) to download 2D and 3D CAD drawings into the overall design of your electrical system.

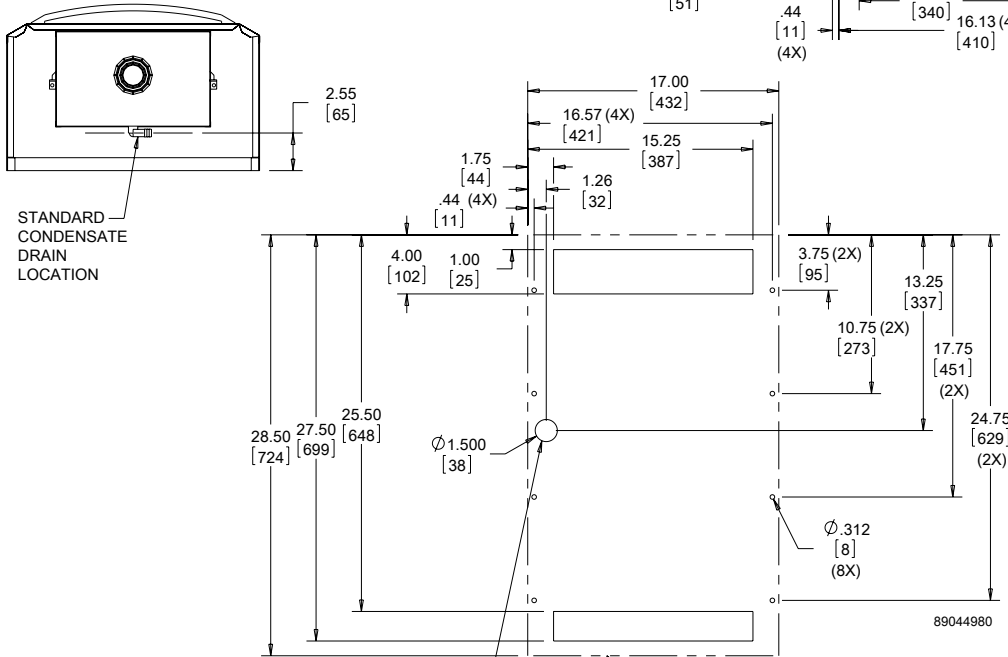
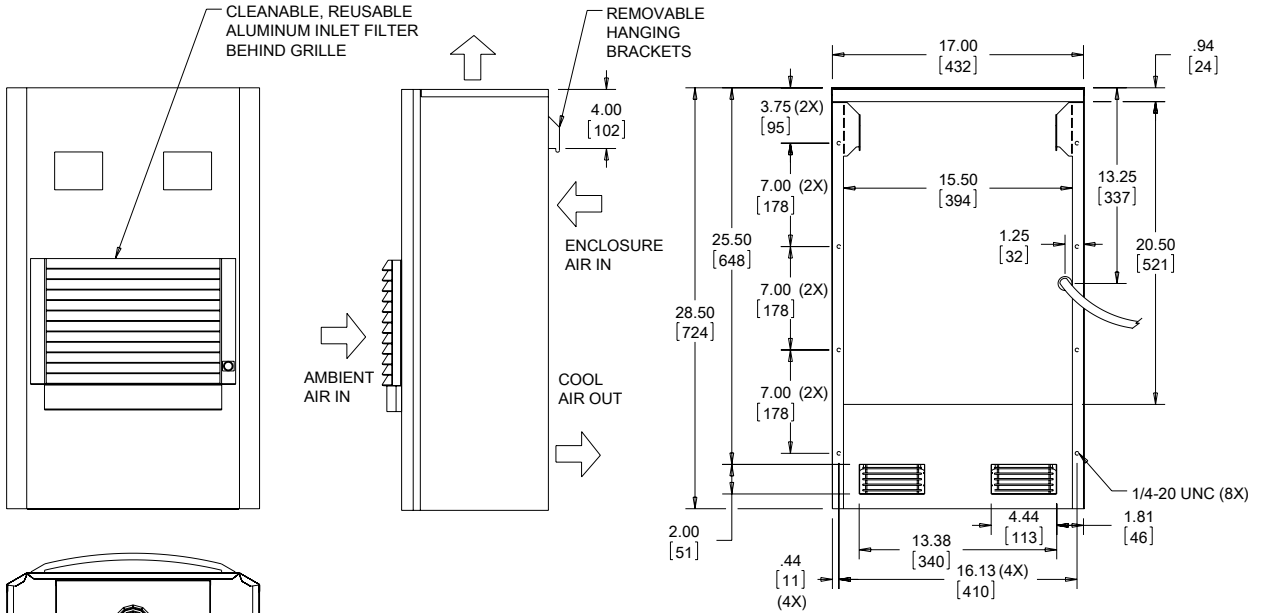
## Performance Data M28 Models 2200 BTU/Hr. (645 Watt)

CATALOG NUMBER	M280216G013	M280226G004	M280246G400
<b>COOLING PERFORMANCE</b>			
<b>Nominal:</b>			
<b>BTU/Hr.</b>	<b>2200/2200</b>	<b>2200/2200</b>	<b>2200/2200</b>
<b>Watts</b>	<b>645/645</b>	<b>645/645</b>	<b>645/645</b>
Refrigerant	R-134A	R-134A	R-134A
Refrigerant Charge (ounces/grams)	11.5/325	12/340	12/340
Operating Temperature Range:			
Maximum (°F/°C)	125/52	125/52	125/52
Minimum (°F/°C)	50/10	50/10	50/10
Airflow at 0 Static Pressure:			
Internal loop 50 Hz (CFM / m <sup>3</sup> /hr.)	146/248	175/297	175/297
External loop 50 Hz (CFM / m <sup>3</sup> /hr.)	230/391	225/382	225/382
Internal loop 60 Hz (CFM / m <sup>3</sup> /hr.)	170/289	210/357	210/357
External loop 60 Hz (CFM / m <sup>3</sup> /hr.)	260/442	255/433	255/433
<b>ELECTRICAL DATA</b>			
<b>Rated Voltage</b>	<b>100/115</b>	<b>220/230</b>	<b>460V 1PH</b>
Frequency (Hz)	50/60	50/60	50/60
Operating Range	+/- 10%	+/- 10%	+/- 10%
Max. Power Consumption (W at 50/60 Hz)	830/966	924/966	1056/1104
Max. Nominal Current (A at 50/60 Hz)	8.3/8.4	4.2/4.2	2.3/2.4
Starting Current (A)	27.5	13	7.4
Agency Approvals	UL/cUL Listed CE EAC		cUR Recognized CE EAC
	Others available upon request		
Power Input Description	6-ft. cord with NEMA 5-20 plug	6-ft. cord with NEMA 6-15 plug	6-ft. cord with wire leads
<b>ENCLOSURE PROTECTION</b>			
UL Type	Type 12 standard		
<b>CONTROLLER</b>			
Description	Basic mechanical thermostat		
Thermostat Location	Behind filter		
Factory Thermostat Setting (°F/°C)	80/27		
<b>SOUND LEVEL</b>			
At 1.5 Meters	55 dB(A)		
<b>UNIT CONSTRUCTION</b>			
Material	Mild steel sheet metal standard Stainless steel optional		
Finish	RAL 7042 gray, semi-gloss powder-coat paint standard		
<b>UNIT DIMENSIONS</b>			
Height (in./mm)	28.5/724	28.5/724	28.5/724
Width (in./mm)	17/432	17/432	17/432
Depth (in./mm)	11.3/288	11.3/288	11.3/288
Weight (lb./kg)	97/44	97/44	108/49

M28 Models 2200 BTU/Hr. (6645 Watt)



- NOTE:  
 1. MOUNTING GASKET SUPPLIED (NOT SHOWN)  
 2. UNITS: in. [mm]  
 3. CUTOUT DIMENSIONS FOR STANDARD UNITS ONLY



THIS HOLE MAY BE DELETED IF THE SERVICE CORD IS ROUTED THROUGH THE 3.00 X 13.50 OPENING [76] [343] (EXCEPT UNITS WITH ELECTRIC HEAT)

AC OUTLINE

Cutout Dimensions

Visit [nVent.com/HOFFMAN](http://nVent.com/HOFFMAN) to download 2D and 3D CAD drawings into the overall design of your electrical system.

**Notes**