

SEISMIC FREE-STANDING, DUAL-ACCESS CABINET, TYPE 12



INDUSTRY STANDARDS

UL 508A Listed; Type 12; File No. E61997
 cUL Listed per CSA C22.2 No. 94; Type 12; File No. E61997

NEMA/EEMAC Type 12
 E.I.A. RS310-D
 CSA, File No. 42186, Type 12
 IEC 60529, IP55
 OSPHD Pre Approved OPM-0248-13, OPM-0247-13
 NEBS-Telecordia GR-63-CORE Zone 4: Tested with 1000 lb. of equipment installed
 Meets California Building Code (CBC) requirements

APPLICATION

Ideal where front or front and rear access is required. These Type 12 enclosures have sturdy unibody construction with 19-in. rack angles to support equipment. These enclosures are ideal for housing and protecting networking and communications from dust, liquid, and seismic events. 36-in. wide models include integral, vertical cable management that supports copper and fiber networking cables.

SPECIFICATIONS

- 12 gauge steel construction
- Seams continuously welded and ground smooth; no holes or knockouts
- Lifting eyes for easy handling
- Welded front-to-rear mounting struts, 3 on each side
- Vault style 3-point latches operated by oil-tight, key-locking handle
- Concealed and removable hinges
- Seismic bottom mounting plates (qty. 6) made of painted plate steel for 5/8-in. diameter anchors
- Data pockets are high-impact thermoplastic
- Internal mounting channels welded horizontally to sides at top, bottom and center
- 36-in. wide models include 2 Seismic Rack Panel Kits with EIA 310 specified square-holes (.375 x .375) that are infinitely adjustable front to rear
- 24-in. models include 2 Rack Mounting Angles tapped #10-32 thread and spaced per EIA 310 that are infinitely adjustable front to rear
- On 36-in. wide models, front Seismic Rack Panel includes integral, vertical, RU-aligned fingers for supporting copper and fiber networking cables
- Oil-resistant door gasket
- Bonding provision on door
- Provision for mounting enclosure light kits

FINISH

RAL 7035 gray inside and outside, polyester powder paint

ACCESSORIES

See also Accessories

19-in. Rack-Mounted Shelves
 Bonding and Grounding Kits
 Full and partial Panels (Painted and Plated)
 PDUs: 19-in. Rack- and Vertical-Mounted
 Electric Heater
 Door Stop Kit
 Cooling Products (Air Conditioners, Heaters, Fan kits)
 Enclosure Light Kits

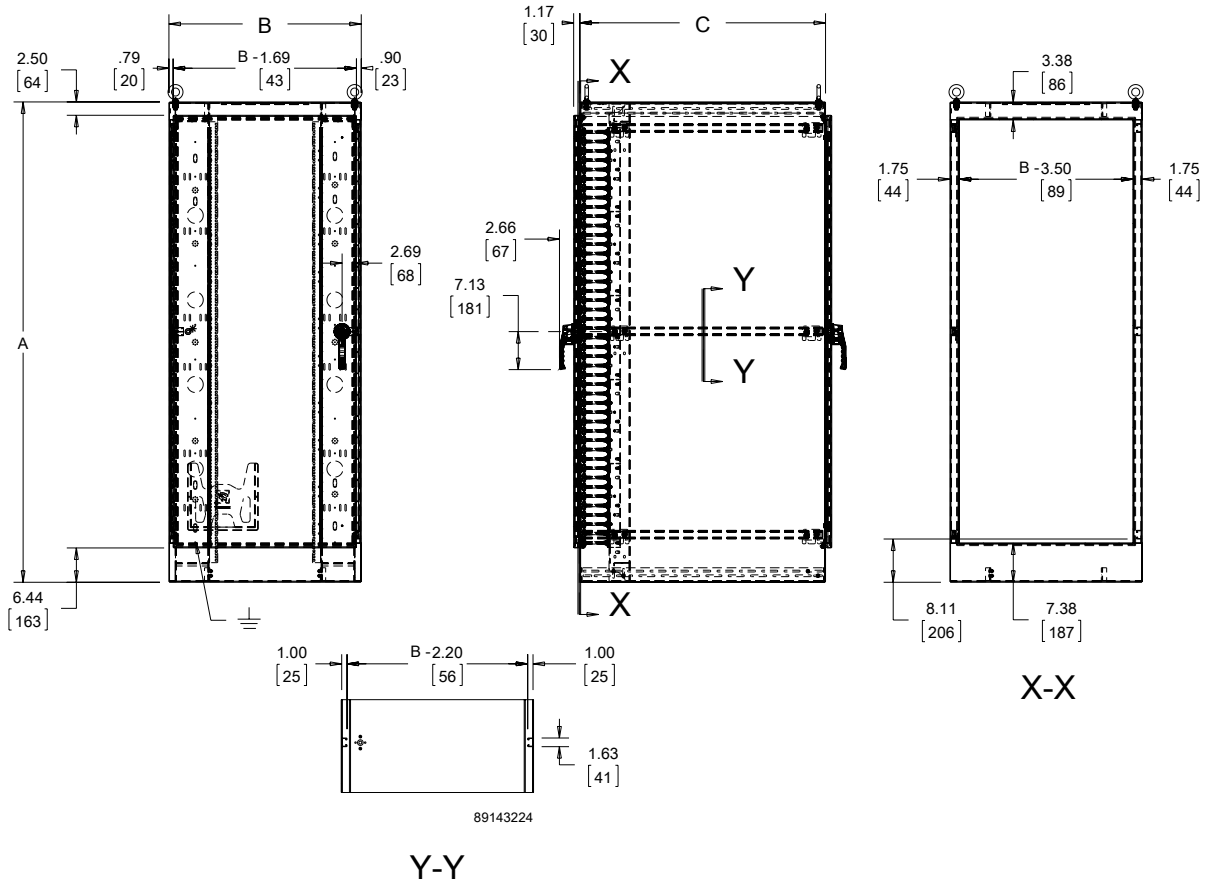
MODIFICATION AND CUSTOMIZATION

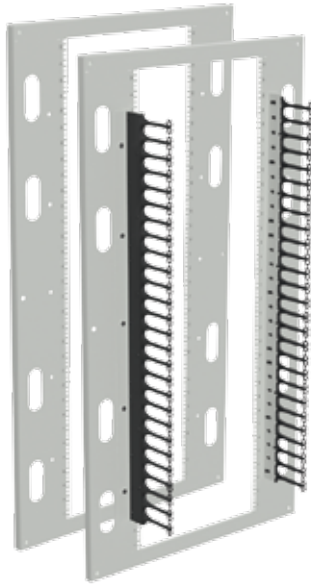
Hoffman excels at modifying and customizing products to your specifications. Contact your local Hoffman sales office or distributor for complete information.

BULLETIN: DSFS

Standard Product

Catalog Number	AxBxC in./mm	Rack Units
D722436SDA	72.22 x 24.12 x 36.14 1834 x 613 x 918	32
D723646SDA	72.22 x 36.14 x 46.16 1834 x 918 x 1173	32
D902436SDA	90.26 x 24.12 x 36.14 2293 x 613 x 918	42
D903646SDA	90.26 x 36.14 x 46.16 2293 x 918 x 1173	42



SEISMIC RACK PANEL KIT


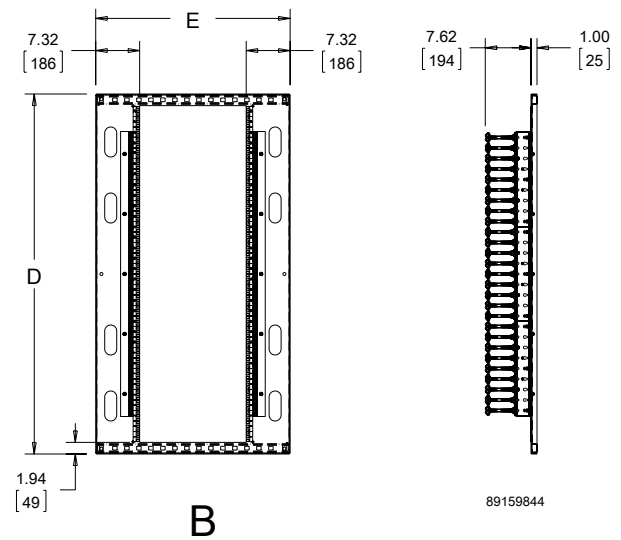
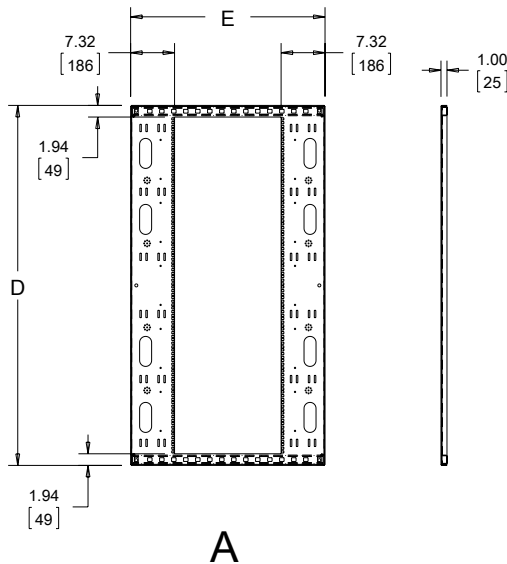
Used when converting a standard Free-Stand Enclosure to a Seismic Free-Stand Enclosure. Rack Panel allows rack-mount equipment to be installed in 36-in. wide enclosures. Seismic Rack Panel has EIA 310 specified square-holes (.375x.375) and larger openings to allow cables to pass through panel. Use with Seismic Panel Support Kits (included) and Seismic Mounting Plate Kits to obtain Seismic standards. Made from 12 gauge steel and painted RAL 7035.

Available with or without vertical cable management for copper and fiber networking cables. Kit includes one (1) Seismic Rack Panel and two (2) Seismic Panel Supports with hardware.

BULLETIN: DSFS

Standard Product

Catalog Number	D in./mm	E in./mm	Fits Enclosure Height x Width in./mm	Cable Managers	Ref. Drawing
A72P36RP	60.00 1524	32.40 823	72.22 x 36.14 1834 x 918	No	A
A72P36RPC	60.00 1524	32.40 823	72.22 x 36.14 1834 x 918	Yes	B
A90P36RP	78.00 1981	32.40 823	90.26 x 36.14 2293 x 918	No	A
A90P36RPC	78.00 1981	32.40 823	90.26 x 36.14 2293 x 918	Yes	B



SEISMIC MOUNTING PLATE KITS



Kit of six (6) stainless steel mounting plates install over the mounting holes in the base of the enclosure. The mounting plates come predrilled to accept 1/2-in., 5/8-in. or 3/4-in. diameter mounting hardware (not included). Plate dimensions are 3.75 x 3.75 x .25 in. (95 x 95 x 6 mm).

BULLETIN: DCY

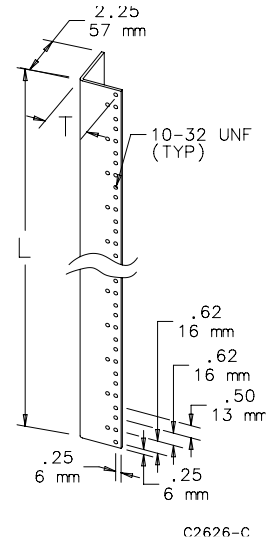
Standard Product

Catalog Number	Description	Anchor Size
ASMP12SS	Seismic Mounting Plate, 1/2-in.	1/2 in.
ASMP58SS	Seismic Mounting Plate, 5/8-in.	5/8 in.
ASMP34SS	Seismic Mounting Plate, 3/4-in.	3/4 in.

RACK MOUNTING ANGLES - L-STYLE (TYPE RP)



Pairs of full-length rack mounting angles are available for mounting 19-in. and 24-in. rack-mounted equipment. Type RP rack mounting angles are 10 gauge steel with mounting holes tapped #10-32 thread and spaced per EIA standard RS-310-D universal spacing. Angles and mounting hardware are plated. All mounting hardware is furnished.



BULLETIN: A80

Catalog Number	Fits Enclosure A x B in./mm	For Rack Size in./mm	K in./mm	K (m)	L in./mm	M in./mm	T in./mm	Number of Units
A60RP24F5	60.00 x 24.00	19.00	3.78	96	49.00	7.78	1.94	28
	1524 x 610	483			1245	198	49	
A72RP24F5	72.00 x 24.00	19.00	3.66	93	61.25	7.66	1.94	35
	1829 x 610	483			1556	195	49	
A72RP30F5	72.00 x 30.00	24.00	3.66	93	61.25	7.66	2.44	35
	1829 x 762	610			1556	195	62	
A90RP24F5	90.00 x 24.00	19.00	3.91	99	78.75	7.91	1.94	45
	2286 x 610	483			2000	201	49	

One unit equals 1.75 inches (44 mm).



Screw Packages are for mounting rack panels and equipment to rack angles.

BULLETIN: A80, DACCY

Catalog Number	Color	Description	Pkg. Qty.
ES1224	Silver	12-24 x 5/8 in. combo head	20
ES1224250	Silver	12-24 x 5/8 in. combo head	250
ES1224B	Black	12-24 x 5/8 in. combo head	20
ES1224B250	Black	12-24 x 5/8 in. combo head	250
ASM5	Silver	M5 x 20 mm Combo Head	20
ASM6	Silver	M6 x 16 mm combo head	20
ASM5T	Silver	M5 x 12 mm thread-forming Phillips hex head screws	20
ASM6250	Silver	M6 x 16 mm combo head	250
AS1032	Silver	10-32 x 5/8 in. combo head	20
AS1032250	Silver	10-32 x 5/8 in. combo head	250
AS1032B	Black	10-32 x 5/8 in. combo head	20

Use ASM5T on PROLINE frame or Net Series extruded holes.

CAGE NUT PACKAGE



Cage Nut Packages are for use with square-hole rack angles. Cage nuts are plated steel.

BULLETIN: DACCY

Catalog Number	Color	Description	Pkg. Qty.
PM5CN	Silver	M5 cage nut	20
PM6CN	Silver	M6 cage nut	20
PM6CN250	Silver	M6 cage nut	250
P1032CN	Silver	10-32 cage nut	20
P1032CN250	Silver	10-32 cage nut	250
P1224CN	Silver	12-24 cage nut	20
P1224CN250	Silver	12-24 cage nut	250

Notes