






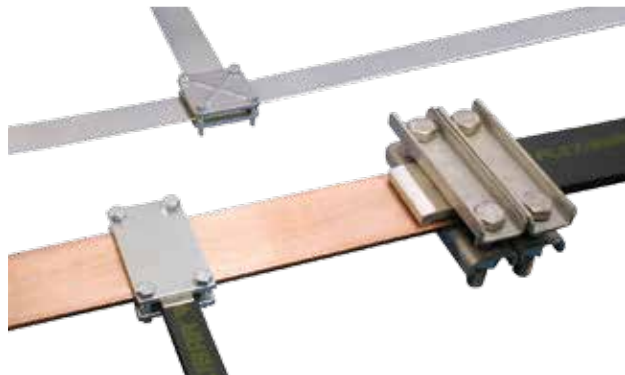


POWER AND GROUND CONNECTIONS PRODUCT OVERVIEW

Product Range	Typical Uses	Typical Market
Connecting clamps 	<ul style="list-style-type: none"> • Heavy-duty power connection • Connection between busbar / flexible busbar / cable • Power distribution • "On site" installation / modification 	<ul style="list-style-type: none"> • Power distribution switchgear • Power generation • Telecom • Machinery manufacturing • Busduct
Universal connecting bar 	<ul style="list-style-type: none"> • 450A power distribution bar • Unipolar distribution from busbar to cable • "On site" installation / modification 	<ul style="list-style-type: none"> • Power distribution switchgear • Telecom • Machinery manufacturing • Industry & buildings
Grounding parts 	<ul style="list-style-type: none"> • Power, earthing/grounding and equipotential connections • Numerous connections • Electrical bonding interconnection 	<ul style="list-style-type: none"> • Switchgear & control equipment • Electrical equipment manufacturers • Power generation (Wind, solar) • Data center
Spacer & accessories 	<ul style="list-style-type: none"> • Insulated or non-insulated spacer • Accessories for easy distribution block assembly 	<ul style="list-style-type: none"> • Power distribution switchgear • Machinery manufacturing
Insulators 	<ul style="list-style-type: none"> • Heavy-duty power connection insulator • Flat, on edge, busbar insulator • Universal versatile insulator 	<ul style="list-style-type: none"> • Power distribution switchgear • Marine transportation • Machinery manufacturing
Sleeves 	<ul style="list-style-type: none"> • Expandable cabling sleeves • Wiring mechanical protection • Wiring temperature protection 	<ul style="list-style-type: none"> • Switchgear & control equipment • Transportation • Machinery manufacturing
Profiles 	<ul style="list-style-type: none"> • Symmetric / asymmetric profiles • Perforated or non-perforated profiles • Rapid assembly of all kinds of frameworks 	<ul style="list-style-type: none"> • Switchgear & control equipment • Transportation • Machinery manufacturing

CONNECTING CLAMPS



FEATURES

- Allows excellent electrical contact
- Very compact: space saving
- Quick installation
- Ideal for on site modifications

FC ERIFLEX ERIFLEX FLEXIBAR TO BUSBAR CLAMP



FEATURES

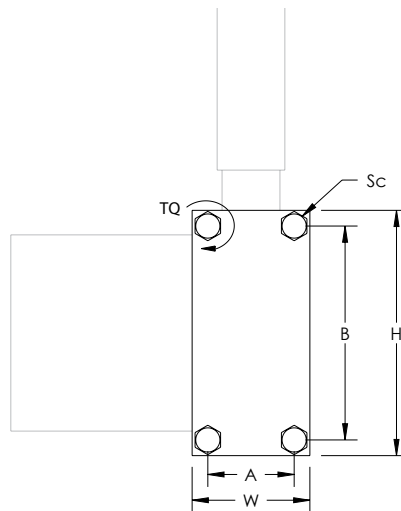
- Connects ERIFLEX FLEXIBAR to copper busbar
- Two plates complete with screws
- Allows for excellent electrical contact
- Installs quickly and easily
- Ideal for on site modifications
- RoHS compliant

SPECIFICATIONS

- Material: Steel
- Quality Class: 8.8
- Clamping Capacity: 0.79 (in.)

FINISH

- Finish: Electrogalvanized



Catalog Number	Busbar Width (in.)	Conductor Width (in.)	Height H (in.)	Width W (in.)	A (in.)	B (in.)	Screw Diameter Sc	Torque TQ (ft-lb)	Unit Weight (lb.)	Qty.
FC50X24	1.97	0.79 – 0.95	2.95	2.05	1.42	2.32	M8	7.37	0.70	3
FC50X32	1.97	1.26	2.95	2.36	1.73	2.32	M8	7.37	0.80	3
FC50X40	1.97	1.57	2.95	2.68	2.05	2.32	M8	7.37	0.91	3
FC80X24	3.15	0.79 – 0.95	4.13	2.05	1.42	3.50	M8	7.37	0.95	3
FC80X32	3.15	1.26	4.13	2.36	1.73	3.50	M8	7.37	1.08	3
FC80X50	3.15	1.97	4.13	3.07	2.44	3.50	M8	7.37	1.41	3
FC100X32	3.94	1.26	4.92	2.36	1.73	4.29	M8	7.37	1.47	3
FC120X32	4.72	1.26	4.92	2.36	1.73	5.08	M8	7.37	1.67	3

BC RIBBED STEEL BUSBAR CLAMP



INDUSTRY STANDARDS

UL Recognized

FEATURES

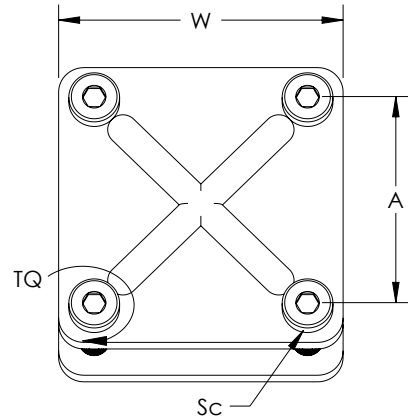
- Connects two copper busbars together or ERIFLEX FLEXIBAR to copper busbar
- Two ribbed plates complete with screws
- Allows for excellent electrical contact
- Installs quickly and easily
- Ideal for on site modifications
- RoHS compliant

SPECIFICATIONS

- Material: Steel
- Clamping Capacity: 0.79 (in.)

FINISH

- Finish: Electrogalvanized



Catalog Number	Busbar Width (in.)	Width W (in.)	A (in.)	Screw Diameter Sc	Torque TQ (ft-lb)	Unit Weight (lb.)	Qty.
BC30	1.18	2.20	1.65	M6	5.16	0.68	1
BC40	1.57	2.60	2.05	M6	5.16	0.81	1
BC50	1.97	3.27	2.52	M8	14.75	1.30	1
BC63	2.48	3.66	2.91	M8	14.75	1.63	1
BC80	3.15	4.65	3.78	M10	29.50	2.60	1
BC100	3.94	5.67	4.65	M10	29.50	3.79	1

HCBC HIGH CURRENT BUSBAR CLAMP

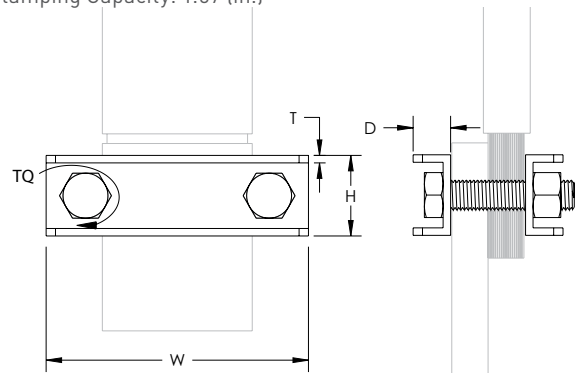


FEATURES

- Connects copper busbar to copper busbar, ERIFLEX FLEXIBAR or power shunt
- Made with non-magnetic materials for high current connections between ERIFLEX FLEXIBAR and rigid busbars such as transformer terminals
- Rigid design assures even contact pressure
- Installs quickly and easily
- Ideal for on site modifications
- RoHS compliant

SPECIFICATIONS

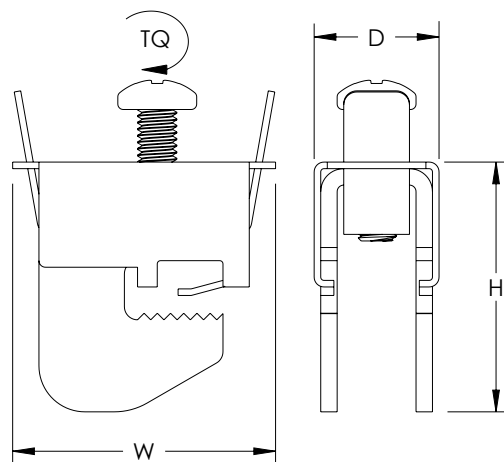
- Material: Stainless Steel 304 (EN 1.4301)
- Clamping Capacity: 1.57 (in.)



Catalog Number	Conductor Width (in.)	Depth D (in.)	Height H (in.)	Width W (in.)	Thickness T (in.)	Torque TQ (ft-lb)	Unit Weight (lb.)	Qty.
HCBC80	3.15	0.79	1.57	5.5	0.12	74	1.85	1
HCBC100	3.94	0.79	1.57	6.3	0.12	74	2.03	1
HCBC120	4.72	0.79	1.57	7.1	0.12	74	2.20	1

Use two clamps for optimal contact pressure.

FBC ERIFLEX ERIFLEX FLEXIBAR/CABLE TO BUSBAR CLAMP



INDUSTRY STANDARDS

- Complies With: IEC 60999

FEATURES

- Very compact clamp for connecting cable conductors or ERIFLEX FLEXIBAR to busbar without drilling
- Conductor is clamped with a pressure plate
- Clamps can be mounted and slid into position on busbar prior to connecting conductors
- Connections can be added after busbar has been mounted
- Single screw locks clamp and makes connection
- GOST compliant
- RoHS compliant

SPECIFICATIONS

- Material: Steel

FINISH

- Finish: Electrogalvanized

Busbar Thickness: 0.20 (in.)

Catalog Number	Conductor Size	Conductor Width (in.)	Depth D (in.)	Height H (in.)	Width W (in.)	Torque TQ (ft-lb)	Unit Weight (lb.)	Qty.
FBC5X4	1 mm ² Stranded 4 mm ² Stranded	–	0.43	0.91	1.14	1.47	0.035	15
FBC5X6	2.5 mm ² Stranded 16 mm ² Stranded	0.24	0.55	1.10	1.22	2.21	0.062	15
FBC5X9	16 mm ² Stranded 50 mm ² Stranded	0.35	0.75	1.42	1.57	4.40 – 5.90	0.150	15
FBC5X155	35 mm ² Stranded 70 mm ² Stranded	0.61	0.98	1.73	1.57	7.37 – 8.85	0.243	15
FBC5X20	70 mm ² Stranded 185 mm ² Stranded	0.79	1.22	1.89	1.57	8.85 – 11.06	0.291	15

Busbar Thickness: 0.20 (in.)

Catalog Number	Conductor Size	Conductor Width (in.)	Depth D (in.)	Height H (in.)	Width W (in.)	Torque TQ (ft-lb)	Unit Weight (lb.)	Qty.
FBC10X4	1 mm ² Stranded 4 mm ² Stranded	–	0.47	1.10	1.14	1.47	0.040 lb	15
FBC10X6	2.5 mm ² Stranded 16 mm ² Stranded	0.24	0.55	1.30	1.22	2.21	0.066 lb	15
FBC10X9	16 mm ² Stranded 50 mm ² Stranded	0.35	0.75	1.65	1.57	4.40 – 5.90	0.154 lb	15
FBC10X155	35 mm ² Stranded 70 mm ² Stranded	0.61	0.98	1.93	1.57	7.37 – 8.85	0.247 lb	15
FBC10X20	70 mm ² Stranded 185 mm ² Stranded	0.79	1.22	2.13	1.57	8.85 – 11.06	0.304 lb	15

Conductor must be stripped at least a distance equal to the width of the clamp.

BMS BIMETAL PLATE



FEATURES

- For high performance contact between aluminum busbars and copper busbars

SPECIFICATIONS

- Material: Aluminum, Copper

Catalog Number	Length (in.)	Width (in.)	Thickness (in.)	Unit Weight (lb.)	Qty.
BMS100	3.94	3.94	0.04	0.13	10
BMS500	19.69	19.69	0.04	3.2	2

Thickness is comprised of 0.7 mm (0.028 in.) of aluminum and 0.3 mm (0.012 in.) of copper.

CONT-KIT METAL NUTS AND BOLTS CONTACT KIT



FEATURES

- For optimal electrical connections
- Kit includes 100 bolts, 100 nuts, 200 flat washers and 200 contact washers
- SAE Grade: 5
- Coating Class: Zn 8 C

SPECIFICATIONS

- Material: Steel

FINISH

- Finish: Electrogalvanized

Catalog Number	Thread Size	Thread Length (in.)	Torque (ft-lb)	Qty.
CKT1420X58	1/4 UNC	0.63	9	100
CKT51618X114	5/16 UNC	1.25	18	100
CKT71614X114	7/16 UNC	1.25	50	100
CKT71614X2	7/16 UNC	2.00	50	100
CKT1213X114	1/2 UNC	1.25	75	100
CKT1213X112	1/2 UNC	1.50	75	100
CKT1213X2	1/2 UNC	2.00	75	100

UNIVERSAL CONNECTING BAR



INDUSTRY STANDARDS

UL Listed, File No. 467

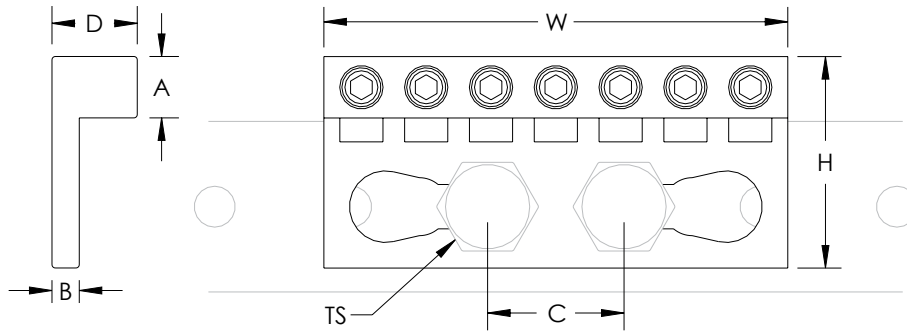
APPLICATION

Connecting, Earthing and Neutral Busbars are used to connect several earthing conductors within a panel and can be used in a variety of different applications including switchgear and control equipment, electrical equipment, for wind and solar power generation and in data centers. This Universal Connecting Bar can be used as a 450A current rating IEC for power distribution.

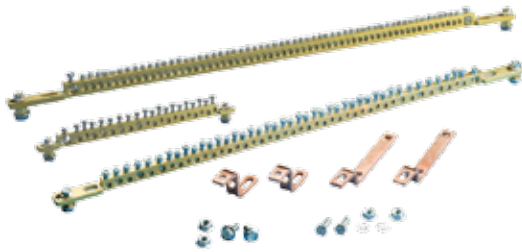
SPECIFICATIONS

- Easy to wire with a hexagonal key
- Design allows for visual inspection of conductor and confirmation of connection
- For use with punched or threaded copper busbar
- High fill ratio allows output connection with or without terminal
- Quick and easy installation
- Material: Brass

Catalog Number	Max Current Rating	Number of Tunnel Connections	Tunnel Connection Compact Stranded Wire Size	Tunnel Connection Wire Size - Ferrule	Tunnel Connection Wire Size	Depth (D) (in.)	Height (H) (in.)	Width (W) (in.)	A (in.)	B (in.)	Unit Weight (lb.)	Qty.
CB7X16	450 A	7	1,5 – 16 mm ²	1,5 – 16 mm ²	#8 – 1/0	0.49	1.22	2.68	0.35	0.16	0.18	10



EB EARTHING AND NEUTRAL BUSBARS



FEATURES

- Universal fixing
- Numerous connections
- Easy connections due to chamfer
- Rigid bar
- High conductivity brass quality
- Copper Brackets kit for easy fixing

EB-44 EARTHING AND NEUTRAL BUSBAR



APPLICATION

Connecting, Earthing and Neutral Busbars are used to connect several earthing conductors within a panel and can be used in a variety of different applications including switchgear and control equipment, electrical equipment, for wind and solar power generation and in data centers.

FEATURES

- Use to connect several earthing conductors within a panel
- Chamfered holes allow for easy connections
- Mounting slots for universal fixing to copper busbar, directly to rails or spacers
- Rigid bar
- Mounting kits available for stacking busbars or fixing to DIN rail
- RoHS compliant

INDUSTRY STANDARDS

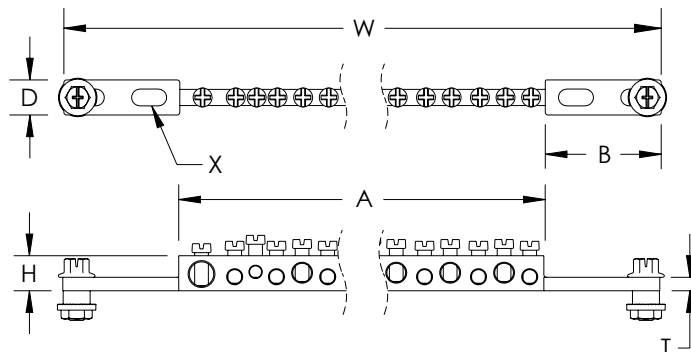
UL Listed, File No. 467

Complies with IEC 61439.1

SPECIFICATIONS

- Material: Brass

Catalog Number	Number of Connections	Compact Stranded Wire Size	Stranded Wire Size - Ferrule	Depth (D) (in.)	Height (H) (in.)	Width (W) (in.)	Thickness (T) (in.)	A (in.)	B (in.)	X (in.)	Unit Weight (lb.)	Qty.
EB44	44	(1) #6 - #4 Stranded (6) #12 - #4 Stranded (21) #14 - #8 Stranded (16) #16 - #10 Stranded	(1) #6 - #4 Stranded (6) #12 - #4 Stranded (21) #14 - #8 Stranded (16) #16 - #10 Stranded	0.51	0.51	18.19	0.2	14.8	1.69	0.24 x 0.28	0.66	1



EB-60 EARTHING AND NEUTRAL BUSBAR



INDUSTRY STANDARDS

UL Listed, File No. 467
 Complies With IEC 61439.1

APPLICATION

Connecting, Earthing and Neutral Busbars are used to connect several earthing conductors within a panel and can be used in a variety of different applications including switchgear and control equipment, electrical equipment, for wind and solar power generation and in data centers.

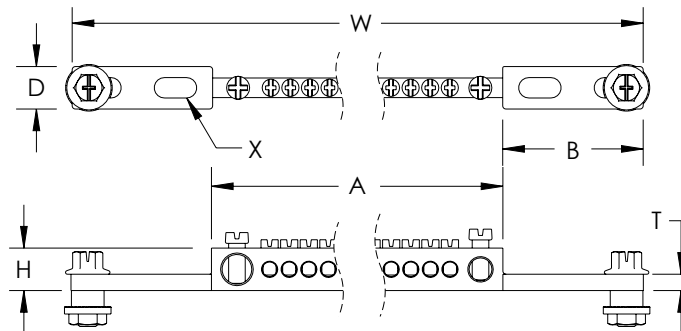
FEATURES

- Use to connect several earthing conductors within a panel
- Chamfered holes allow for easy connections
- Mounting slots for universal fixing to copper busbar, directly to rails or spacers
- Rigid bar
- Mounting kits available for stacking busbars or fixing to DIN rail
- RoHS compliant

SPECIFICATIONS

- Material: Brass

Catalog Number	Number of Connections	Compact Stranded Wire Size	Stranded Wire Size - Ferrule	Depth (D) (in.)	Height (H) (in.)	Width (W) (in.)	Thickness (T) (in.)	A (in.)	B (in.)	X (in.)	Unit Weight (lb.)	Qty.
EB60	60	(1) #6 Stranded (1) #12 - #6 Stranded (58) #16 - #10 Stranded (58) #16 - #10 Solid	(1) #6 Stranded (1) #12 - #6 Stranded (58) #16 - #10 Stranded (58) #16 - #10 Solid	0.51	0.51	18.19	0.2	14.8	1.69	0.24 x 0.28	0.68	1



EB-20 EARTHING AND NEUTRAL BUSBAR



INDUSTRY STANDARDS

UL Listed, File No. 467

Complies With IEC 61439.1

APPLICATION

Connecting, Earthing and Neutral Busbars are used to connect several earthing conductors within a panel and can be used in a variety of different applications including switchgear and control equipment, electrical equipment, for wind and solar power generation and in data centers.

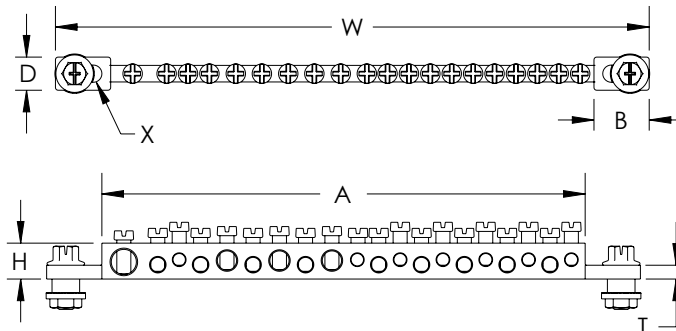
FEATURES

- Use to connect several earthing conductors within a panel
- Chamfered holes allow for easy connections
- Mounting slots for universal fixing to copper busbar, directly to rails or spacers
- Rigid bar
- Mounting kits available for stacking busbars or fixing to DIN rail
- RoHS compliant

FINISH

- Material: Brass

Catalog Number	Number of Connections	Compact Stranded Wire Size	Stranded Wire Size - Ferrule	Depth (D) (in.)	Height (H) (in.)	Width (W) (in.)	Thickness (T) (in.)	A (in.)	B (in.)	X (in.)	Unit Weight (lb.)	Qty.
EB20	20	(1) #8 - #6 Solid (3) #12 - #6 Solid (9) #14 - #8 Solid (7) #16 - #10 Solid	(1) #6 - #4 Stranded (3) #12 - #4 Stranded (9) #14 - #8 Stranded (7) #14 - #10 Stranded	0.47	0.51	8.46	0.2	6.89	0.79	0.24 x 0.28	0.43	1



EC, EB EARTHING AND NEUTRAL BUSBARS



FEATURES

- Quick and easy connections
- Large and versatile range
- Connections: from 2.5 to 35 mm²

EC16 EARTHING/GROUNDING CONNECTOR



SPECIFICATIONS

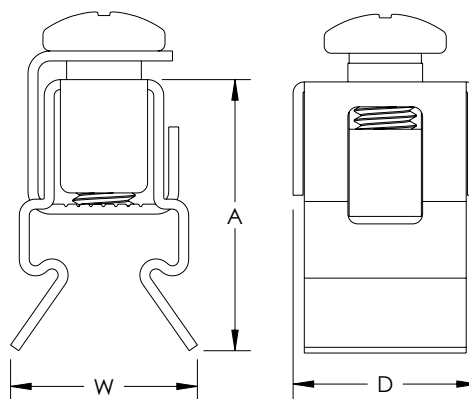
- Material: Steel

FINISH

- Finish: Electrogalvanized

FEATURES

- Very compact clamp for connecting cable conductors to earthing busbar without drilling
- Conductor is clamped with a pressure plate
- Clamps can be mounted and slid into position on busbar prior to connecting conductors
- Connections can be added after busbar has been mounted
- Single screw locks clamp and makes connection
- GOST compliant
- RoHS compliant



Catalog Number	Conductor Size	Busbar Thickness (in.)	Busbar Width (in.)	Depth D (in.)	Width W (in.)	A (in.)	Unit Weight (lb.)	Qty.
EC164	16 mm ² Stranded	0.16	0.47	0.59	0.59	0.86	0.022	20
EC165	16 mm ² Stranded	0.2	0.47	0.59	0.55	0.86	0.022	20

EC35 EARTHING/GROUNDING CONNECTOR



FEATURES

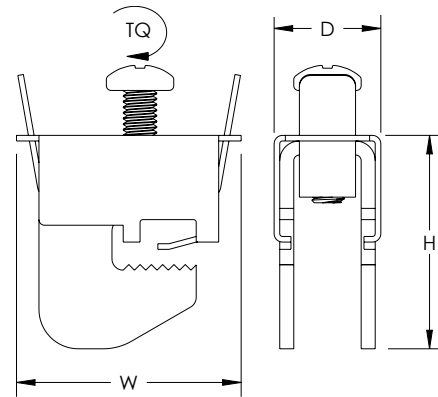
- Very compact clamp for connecting cable conductors to earthing busbar without drilling
- Conductor is clamped with a pressure plate
- Clamps can be mounted and slid into position on busbar prior to connecting conductors
- Connections can be added after busbar has been mounted
- Single screw locks clamp and makes connection
- GOST compliant
- RoHS compliant

SPECIFICATIONS

- Material: Steel

FINISH

- Finish: Electrogalvanized



Catalog Number	Conductor Size	Busbar Thickness (in.)	Busbar Width (in.)	Depth D (in.)	Height H (in.)	Width W (in.)	Torque TQ (ft-lb)	Unit Weight (lb.)	Qty.
EC35	35 mm ² Stranded	0.16 - 0.20	0.47	0.45	1.06	0.91	4.4	0.055	20

EB-12 EARTHING AND NEUTRAL BUSBAR



INDUSTRY STANDARDS

UL Listed, File No. 467 (EB12 only)

Complies with IEC 61439.1

APPLICATION

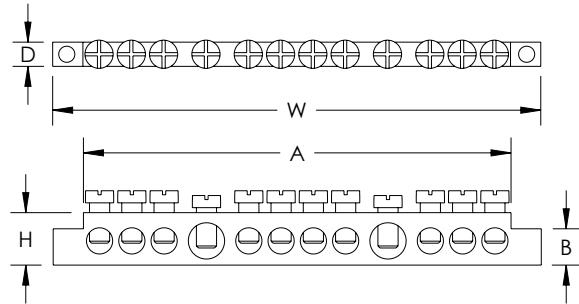
Connecting, Earthing and Neutral Busbars are used to connect several earthing conductors within a panel and can be used in a variety of different applications including switchgear and control equipment, electrical equipment, for wind and solar power generation and in data centers.

FEATURES

- Use to connect several earthing conductors
- Chamfered holes allow for easy connections
- Rigid bar
- RoHS compliant
- Complies with IEC 61439.1

SPECIFICATIONS

- Material: Brass



Catalog Number	Number of Connections	Compact Stranded Wire Size	Depth (D) (in.)	Height (H) (in.)	Width (W) (in.)	A (in.)	B (in.)	Unit Weight (lb.)	Qty.
EB12	12	(2) #6 Solid (10) #8 - #6 Solid (2) #6 Stranded (10) #8 - #6 Stranded	0.24	0.51	4.72	4.13	0.35	0.15	10
EB12BLK200	12	(2) #6 Solid (10) #8 - #6 Solid (2) #6 Stranded (10) #8 - #6 Stranded	0.24	0.51	4.72	4.13	0.35	3.00	200

EB-36 EARTHING AND NEUTRAL BUSBAR



INDUSTRY STANDARDS

UL Listed, File No. 467

Complies with IEC 61439.1

APPLICATION

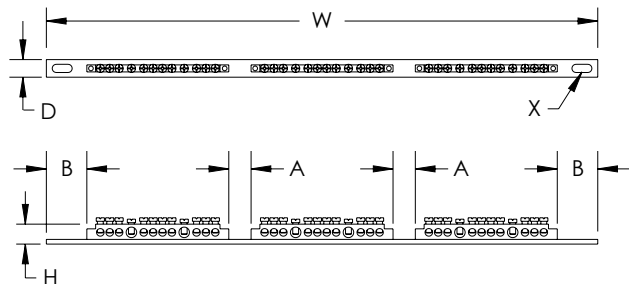
Connecting, Earthing and Neutral Busbars are used to connect several earthing conductors within a panel and can be used in a variety of different applications including switchgear and control equipment, electrical equipment, for wind and solar power generation and in data centers.

FEATURES

- Use to connect several earthing conductors
- Chamfered holes allow for easy connections
- Rigid bar
- RoHS compliant

SPECIFICATIONS

- Material: Brass



Catalog Number	Number of Connections	Compact Stranded Wire Size	Depth (D) (in.)	Height (H) (in.)	Width (W) (in.)	A (in.)	B (in.)	X (in.)	Unit Weight (lb.)	Qty.
EB36	36	(6) #6 Solid (30) #8 - #6 Solid (6) #6 Stranded (30) #8 - #6 Stranded	0.59	0.67	18.50	0.75	1.38	0.63 x 0.28	1.00	10

EB-168 EARTHING AND NEUTRAL BUSBAR



INDUSTRY STANDARDS

UL Listed, File No. 467

Complies with IEC 61439.1

APPLICATION

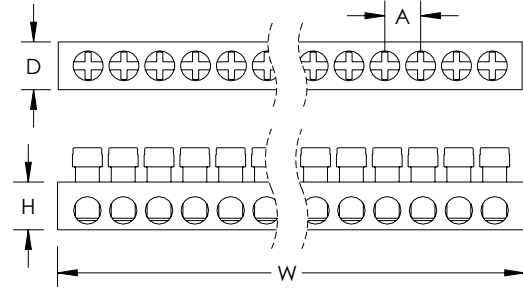
Connecting, Earthing and Neutral Busbars are used to connect several earthing conductors within a panel and can be used in a variety of different applications including switchgear and control equipment, electrical equipment, for wind and solar power generation and in data centers.

FEATURES

- Use to connect several earthing conductors
- Chamfered holes allow for easy connections
- Rigid bar
- RoHS compliant

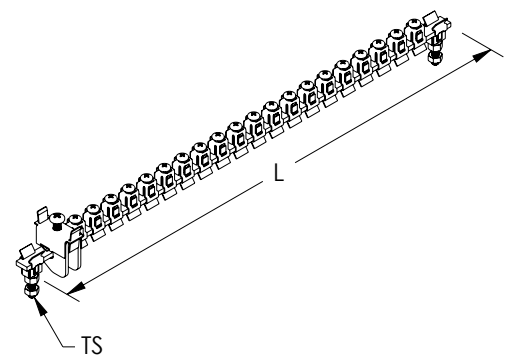
SPECIFICATIONS

- Material: Brass



Catalog Number	Number of Connections	Compact Stranded Wire Size	Depth (D) (in.)	Height (H) (in.)	Width (W) (in.)	A (in.)	Unit Weight (lb.)	Qty.
EB168	168	(166) #16 - #10 Solid (166) #10 Stranded	0.31	0.31	39.37	0.24	1.00	10

EC-450 EARTHING/GROUNDING KIT



FEATURES

- Kit includes busbar, one EC35 connector, 20 EC16 connectors and two mounting clips
- Quick and easy connections
- RoHS compliant

SPECIFICATIONS

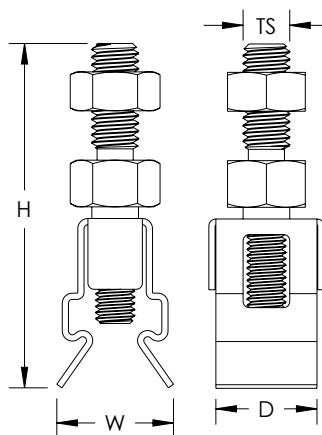
- Material: Copper, Steel

FINISH

- Finish: Electroplated

Catalog Number	Thread Size TS	Length L (in.)	Unit Weight (lb.)	Qty.
KITEC450	M6	18.7	0.798	1

MOUNTING CLIP FOR PLAIN BUSBAR



FEATURES

- Attaches earthing bar to panel structure
- RoHS compliant

SPECIFICATIONS

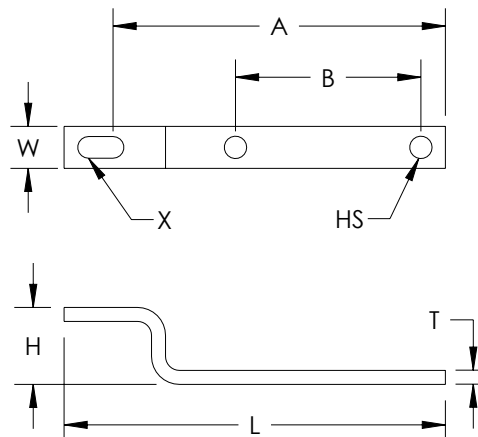
- Material: Steel

FINISH

- Finish: Electrogalvanized

Catalog Number	Busbar Thickness (in.)	Busbar Width (in.)	Thread Size TS	Depth D (in.)	Height H (in.)	Width W (in.)	Unit Weight (lb.)	Qty.
CLIPM612X4	0.16	0.47	M6	0.67	1 1/2	0.55	0.022	20
CLIPM612X5	0.2	0.47	M6	0.67	1 1/2	0.55	0.022	20

EBB-KDR NEUTRAL BUSBAR DIN RAIL MOUNTING KIT



FEATURES

- Bracket mounts bar to DIN rail

SPECIFICATIONS

- Material: Copper

Catalog Number	Height H (in.)	Length L (in.)	Width W (in.)	Thickness T (in.)	Hole Size HS (in.)	A (in.)	B (in.)	X (in.)	Unit Weight (lb.)	Qty.
EBBKDR	0.87	4.29	0.47	0.16	0.25	3.74	2.36	0.24 x 0.39	0.14	1

EBB-KP NEUTRAL BUSBAR TWO BAR MOUNTING KIT

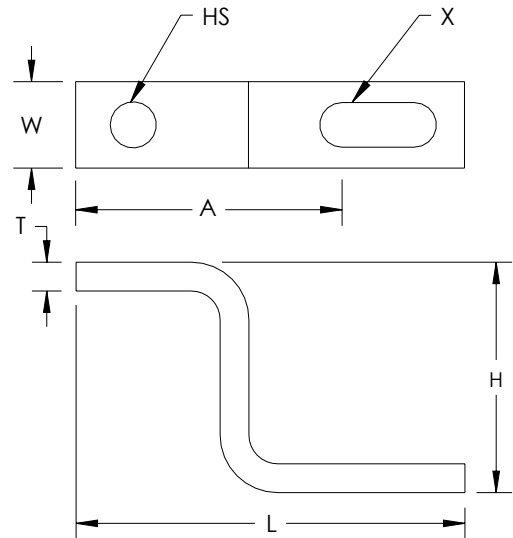


FEATURES

- Bracket for mounting two bars

SPECIFICATIONS

- Material: Copper



Catalog Number	Height H (in.)	Length L (in.)	Width W (in.)	Thickness T (in.)	Hole Size HS (in.)	A (in.)	X (in.)	Unit Weight (lb.)	Qty.
EBBKP	1.26	2.13	0.47	0.16	.25	1.14	0.24 x 0.39	0.23	1

ISO LOW VOLTAGE INSULATORS, IMPERIAL THREAD

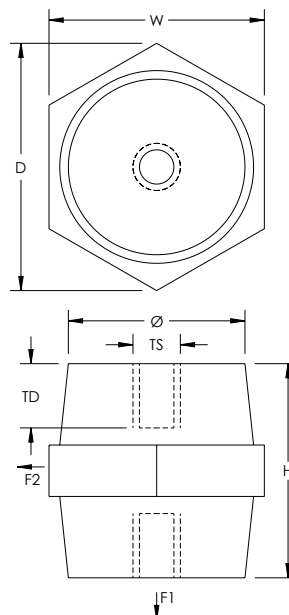


SPECIFICATIONS

- Working range of -40 F (-40 C) to 266 F (130 C)
- Electro-plated zinc inserts are threaded to ASME® standards
- Manufactured from a halogen-free fiberglass-reinforced thermalset unsaturated polyester molded compound (BMC)
- Material: Glass Fibre Reinforced Polyester, Steel

FINISH

- Finish: Electrolgalvanized



INDUSTRY STANDARDS

- UL 94 V0 for self-extinguishing materials
- UL Recognized to Standard 891, Supplement B, Dead-front Switchboards and Accessories, 600 volt, File No. E125470

FEATURES

- Wide range of sizes from 1 inch (25 mm) to 3.5 inches (89 mm)
- Cost effective
- High resistance to leakage current

Catalog Number	Height H (in.)	Hex Width W (in.)	Thread Size TS	Thread Depth TD (in.)	Diameter Ø (in.)	Insulation Voltage	Static Load 1 F1	Static Load 2 F2	Qty.
ISO114	1	1.13	1/4 UNC	5/16	0.82	1,500 VAC	1,500	350	50
ISO1516	1	1.13	5/16 UNC	5/16	0.82	1,500 VAC	1,500	350	50
ISO11414	1.25	1.63	1/4 UNC	5/16	1.41	1,500 VAC	2,300	675	25
ISO11438	1.25	1.63	3/8 UNC	3/8	1.41	1,500 VAC	2,300	675	25
ISO13838	1.375	1.75	3/8 UNC	3/8	1.43	1,500 VAC	2,300	1,200	25
ISO11240	1.5	2.00	1/4 UNC	1/2	1.68	1,500 VAC	2,300	1,200	25
ISO112516	1.5	2.00	5/16 UNC	1/2	1.68	1,500 VAC	2,300	1,200	25
ISO11238	1.5	2.00	3/8 UNC	3/8	1.68	1,500 VAC	2,300	1,200	50
ISO134516	1.75	2.00	5/16 UNC	1/2	1.66	2,000 VAC	3,000	1,200	50
ISO13438	1.75	2.00	3/8 UNC	9/16	1.66	2,000 VAC	3,000	1,200	25
ISO251618	2.00	2.00	5/16 UNC	1/2	1.65	2,300 VAC	3,000	1,200	25
ISO23816	2.00	2.00	3/8 UNC	9/16	1.65	2,300 VAC	3,000	1,200	25
ISO21213	2.00	2.00	1/2 UNC	5/8	1.65	2,300 VAC	3,000	1,200	10
ISO21838	2.175	2.50	3/8 UNC	5/8	2.14	2,500 VAC	3,000	1,300	25
ISO21812	2.175	2.50	1/2 UNC	5/8	2.14	2,500 VAC	3,000	1,300	25
ISO21858	2.175	2.50	5/8 UNC	5/8	2.14	2,500 VAC	3,000	1,300	25
ISO21438	2.25	2.50	3/8 UNC	5/8	2.13	2,700 VAC	4,000	1,400	25
ISO21412	2.25	2.50	1/2 UNC	5/8	2.13	2,700 VAC	4,000	1,400	25
ISO21238	2.50	2.50	3/8 UNC	5/8	2.11	3,200 VAC	4,000	1,400	10
ISO21212	2.50	2.50	1/2 UNC	5/8	2.11	3,200 VAC	4,000	1,400	10
ISO25858	2.625	2.50	5/8 UNC	3/4	2.11	3,400 VAC	4,000	1,400	10

Catalog Number	Height H (in.)	Hex Width W (in.)	Thread Size TS	Thread Depth TD (in.)	Diameter Ø (in.)	Insulation Voltage	Static Load 1 F1	Static Load 2 F2	Qty.
ISO23438	2.75	2.50	3/8 UNC	5/8	2.10	3,600 VAC	4,000	1,400	10
ISO23412	2.75	2.50	1/2 UNC	5/8	2.10	3,600 VAC	4,000	1,400	10
ISO33816	3.00	2.50	3/8 UNC	5/8	2.08	4,100 VAC	4,000	1,400	10
ISO31213	3.00	2.50	1/2 UNC	5/8	2.08	4,100 VAC	4,000	1,400	10
ISO31438	3.25	2.50	3/8 UNC	5/8	2.06	4,500 VAC	4,000	1,400	10
ISO31412	3.25	2.50	1/2 UNC	5/8	2.06	4,500 VAC	4,000	1,400	10
ISO31238	3.50	2.50	3/8 UNC	3/4	2.05	5,000 VAC	5,000	1,400	10
ISO31258	3.50	2.50	5/8 UNC	3/4	2.05	5,000 VAC	5,000	1,400	10

Creepage and clearance distances need to be in accordance with the relevant application standard.

ISOBOLT LOW VOLTAGE INSULATOR MOUNTING KIT



FEATURES

- Includes threaded stud, washer, lock washer and nut

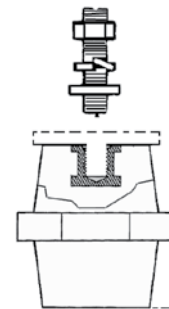
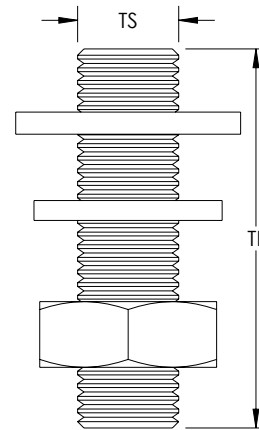
SPECIFICATIONS

- Material: Steel

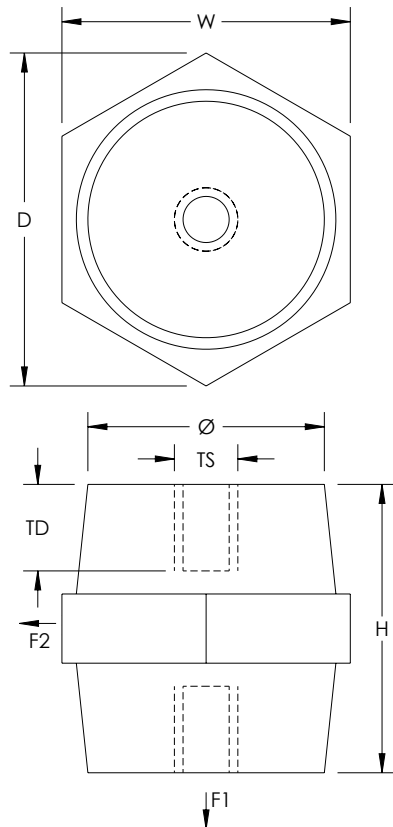
FINISH

- Finish: Electrogalvanized

Catalog Number	Thread Size TS	Thread Length TL	Qty.
ISOBOLT25M6	M6	1	20
ISOBOLT30M8	M8	1.18	20



ISO-TP LOW VOLTAGE INSULATORS, METRIC THREAD



INDUSTRY STANDARDS

UL Recognized in E125470 and evaluated for dielectric withstand rating of 1,500 VAC/DC

FEATURES

- Halogen free
- High resistance to leakage current
- Great stability of electrical and mechanical parameters
- Fiberglass reinforced
- RoHS compliant

SPECIFICATIONS

- Working Temperature: -40 to 266 °F
- Flammability Rating: UL 94V-0
- Material: Glass Fibre Reinforced Polyamide, Steel

FINISH

- Finish: Electrogalvanized

Catalog Number	H (in.)	W (mm)	D (in.)	TS	TD (in.)	Ø (in.)	Insulation Voltage	F1 (lb)	F2 (lb)	Qty.
ISOTP15M4	0.591	14	0.629	M4	0.16	0.472	500 VAC, 500 VDC	337	225	50
ISOTP20M4	0.787	17	0.787	M4	0.16	0.591	1,000 VAC, 1,500 VDC	337	225	50
ISOTP20M6	0.787	17	0.787	M6	0.24	0.591	1,000 VAC, 1,500 VDC	337	225	50
ISOTP25M5	0.984	19	0.787	M5	0.24	0.709	1,000 VAC, 1,500 VDC	674	360	50
ISOTP25M6	0.984	19	0.787	M6	0.24	0.709	1,000 VAC, 1,500 VDC	674	360	50
ISOTP30M10	1.18	30	1.338	M10	0.31	1.02	1,000 VAC, 1,500 VDC	1,349	674	25
ISOTP30M6	1.181	30	1.338	M6	0.31	1.024	1,000 VAC, 1,500 VDC	1,349	674	25
ISOTP30M8	1.181	30	1.338	M8	0.31	1.024	1,000 VAC, 1,500 VDC	1,349	674	25
ISOTP35M6L	1.378	41	1.811	M6	0.31	1.339	1,000 VAC, 1,500 VDC	2,473	1,124	25
ISOTP35M8	1.378	41	1.811	M8	0.31	1.339	1,000 VAC, 1,500 VDC	2,473	1,798	25
ISOTP35M10	1.378	41	1.811	M10	0.39	1.339	1,000 VAC, 1,500 VDC	2,473	1,798	25
ISOTP40M6	1.575	46	2.086	M6	0.35	1.575	1,000 VAC, 1,500 VDC	2,473	1,798	25

Catalog Number	H (in.)	W (mm)	D (in.)	TS	TD (in.)	Ø (in.)	Insulation Voltage	F1 (lb)	F2 (lb)	Qty.
ISOTP40M8	1.575	46	2.086	M8	0.31	1.575	1,000 VAC, 1,500 VDC	2,473	1,798	25
ISOTP40M10	1.575	46	2.086	M10	0.39	1.575	1,000 VAC, 1,500 VDC	2,473	1,012	25
ISOTP40M12	1.575	46	2.086	M12	0.57	1.575	1,000 VAC, 1,500 VDC	2,473	1,012	25
ISOTP45M6	1.772	41	1.85	M6	0.35	1.339	1,000 VAC, 1,500 VDC	2,473	1,461	25
ISOTP45M8	1.772	41	1.85	M8	0.59	1.339	1,000 VAC, 1,500 VDC	2,473	1,461	25
ISOTP45MBL	1.772	50	2.244	M8	0.59	1.614	1,000 VAC, 1,500 VDC	4,047	2,248	25
ISOTP45M10	1.772	50	2.244	M10	0.39	1.614	1,000 VAC, 1,500 VDC	4,047	1,574	25
ISOTP50M6	1.969	50	2.244	M6	0.35	1.614	1,000 VAC, 1,500 VDC	4,496	1,574	25
ISOTP50M8	1.969	50	2.244	M8	0.59	1.614	1,000 VAC, 1,500 VDC	4,496	2,248	25
ISOTP50M10	1.969	50	2.244	M10	0.39	1.614	1,000 VAC, 1,500 VDC	4,496	2,248	25
ISOTP50M12	1.969	50	2.244	M12	0.57	1.614	1,000 VAC, 1,500 VDC	4,496	2,248	25
ISOTP60M8	2.362	55	2.48	M8	0.59	1.732	1,000 VAC, 1,500 VDC	4,946	2,248	25
ISOTP60M10	2.362	55	2.48	M10	0.39	1.732	1,000 VAC, 1,500 VDC	4,946	2,248	25
ISOTP60M12	2.362	55	2.48	M12	0.57	1.732	1,000 VAC, 1,500 VDC	4,946	2,248	25
ISOTP60M16	2.362	55	2.48	M16	0.79	1.732	1,000 VAC, 1,500 VDC	4,946	2,248	25
ISOTP70M10	2.756	65	2.953	M10	0.39	2.047	1,000 VAC, 1,500 VDC	4,946	2,248	10
ISOTP70M12	2.756	65	2.953	M12	0.55	2.047	1,000 VAC, 1,500 VDC	5,620	3,597	10
ISOTP70M16	2.756	65	2.953	M16	0.79	2.047	1,000 VAC, 1,500 VDC	5,620	3,597	10
ISOTP75M10	2.953	65	2.953	M10	0.39	2.008	1,000 VAC, 1,500 VDC	4,946	2,248	10
ISOTP75M12	2.953	65	2.953	M12	0.55	2.008	1,000 VAC, 1,500 VDC	6,744	3,597	10
ISOTP75M16	2.953	65	2.953	M16	0.79	2.008	1,000 VAC, 1,500 VDC	6,744	3,597	10
ISOTP80M12	3.15	65	2.953	M12	0.55	2.047	1,000 VAC, 1,500 VDC	6,744	3,597	10
ISOTP80M16	3.15	65	2.953	M16	0.79	2.047	1,000 VAC, 1,500 VDC	6,744	3,597	10
ISOTP100M12	3.937	65	2.953	M12	0.55	1.811	1,000 VAC, 1,500 VDC	6,744	2,248	10
ISOTP100M16	3.937	65	2.953	M16	0.79	1.811	1,000 VAC, 1,500 VDC	6,744	3,372	10

Creepage and clearance distances need to be in accordance with the relevant application standard.

ISO-TP LOW VOLTAGE MALE/FEMALE INSULATORS

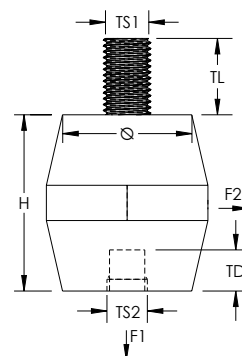
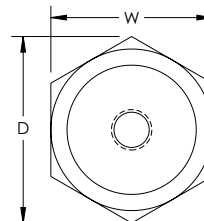


SPECIFICATIONS

- Material: Glass Fibre Reinforced Polyamide, Steel
- Working Temperature: -40 to 266 °F
- Insulation Voltage: 1,000 VAC, 1,500 VDC
- Flammability Rating: UL® 94V-0

FINISH

- Finish: Electrogalvanized



INDUSTRY STANDARDS

UL Recognized in E125470 and evaluated for dielectric withstand rating of 1,500 VAC/DC

FEATURES

- Halogen free
- High resistance to leakage current
- Great stability of electrical and mechanical parameters
- Fiberglass reinforced
- RoHS compliant

Catalog Number	H (in.)	W (in.)	D (in.)	Ø (in.)	TS1	TL (in.)	TS2	TD (in.)	F1 (lb.)	F2 (lb.)	Qty.
ISOTP30F8M8	1.18	1.18	1.34	1.02	M8	0.67	M8	0.31	1,349	674	25
ISOTP40F8M8	1.58	1.81	2.09	1.58	M8	0.67	M8	0.31	2,473	1,461	25
ISOTP50F8M8	1.97	1.97	2.24	1.61	M8	0.67	M8	0.59	4,496	2,248	25
ISOTP60F8M8	2.36	2.17	2.48	1.73	M8	0.67	M8	0.59	4,946	2,248	25
ISOTP80F8M8	3.15	2.56	2.95	2.05	M8	0.67	M8	0.59	4,946	2,248	25
ISOTP100F12M12	3.94	2.56	2.95	1.81	M12	0.79	M12	0.79	6,744	2,248	25

CABLING SLEEVES - BRAIDED AND SPIRFLEX

FEATURES

- Expandable cabling sleeves for many applications
- Wiring mechanical protection aesthetic
- Packed in easy dispense boxes

PDBS POLYAMIDE BRAIDED SLEEVE

FEATURES

- Expandable cabling sleeves for many applications
- Flexible bundling and mechanical protection of electrical cables and wires
- Packed in easy dispense boxes
- Halogen free
- RoHS compliant

SPECIFICATIONS

- Working Temperature: -40 to 248 °F
- Density: 0.07 lb/ft³
- Flammability Rating: UL 94V-2
- Material: Polyamide

Color: Black

Catalog Number	Diameter (in.)	Length (ft.)	Unit Weight (lb.)	Qty.
PDBS5B	0.20	328	0.022	1
PDBS8B	0.31	328	0.029	1
PDBS10B	0.39	328	0.031	1
PDBS12B	0.47	164	0.04	1
PDBS16B	0.63	164	0.048	1
PDBS20B	0.79	164	0.057	1
PDBS30B	1.18	164	0.064	1
PDBS40B	1.57	164	0.084	1
PDBS50B	1.97	164	0.106	1
PDBS70B	2.76	164	0.119	1

Color: Gray

Catalog Number	Diameter (in.)	Length (ft.)	Unit Weight (lb.)	Qty.
PDBS5G	0.2	328	0.022	1
PDBS8G	0.31	328	0.029	1
PDBS10G	0.39	328	0.031	1
PDBS12G	0.47	164	0.04	1
PDBS16G	0.63	164	0.048	1
PDBS20G	0.79	164	0.057	1
PDBS30G	1.18	164	0.064	1
PDBS40G	1.57	164	0.084	1
PDBS50G	1.97	164	0.106	1
PDBS70G	2.76	164	0.119	1

Coverage Efficiency

Catalog Number	Nominal (in.)	Coverage	Diameter		Maximum (in.)	Coverage
			Minimum (in.)	Coverage		
PDBS5x	0.2	97%	0.16	100%	0.31	90%
PDBS8x	0.31	94%	0.24	100%	0.39	91%
PDBS10x	0.39	95%	0.31	100%	0.55	94%
PDBS12x	0.47	96%	0.39	100%	0.63	94%
PDBS16x	0.63	96%	0.55	100%	0.71	98%
PDBS20x	0.79	95%	0.63	100%	0.98	99%
PDBS30x	1.18	90%	0.79	100%	1.38	92%
PDBS40x	1.57	90%	1.18	100%	1.77	94%
PDBS50x	1.97	95%	1.57	100%	2.56	100%
PDBS70x	2.76	94%	2.36	100%	3.15	99%

Unit weight is per meter (3.28 ft.).

ERIFLEX SPIRFLEX SPIRAL SLEEVE

FEATURES

- Expandable cabling sleeves for many applications
- Spiral structure allow cables to branch out at any point
- Flexible bundling and mechanical protection of electrical cables and wires
- Packed in easy dispense boxes
- Halogen free

SPECIFICATIONS

- Working Temperature: -58 to 185 °F
- Flammability Rating: UL 94V-0
- Material: Polyethylene

Color: Black

Catalog Number	Diameter (in.)	Length (ft.)	Unit Weight (lb.)	Qty.
SPIRFLEXI6	0.24	164	0.026	1
SPIRFLEXI12	0.47	82	0.075	1
SPIRFLEXI16	0.63	82	0.101	1
SPIRFLEXI22	0.87	82	0.132	1

Color: Gray

Catalog Number	Diameter (in.)	Length (ft.)	Unit Weight (lb.)	Qty.
SPIRFLEXX6	0.24	164	0.026	1
SPIRFLEXX12	0.47	82	0.075	1

Unit weight is per meter (3.28 ft.).

CABLING SLEEVES - ZIPFLEX, GLASS FIBER AND ISOLATING SILICONE



FEATURES

- ZIPFLEX: Easy screening using specific tool
- Glass fiber and isolating silicone sleeves: resistant to high temperature

ERIFLEX ZIPFLEX SLEEVE



FEATURES

- Quick and easy screening
- Installation tool included
- Halogen free

SPECIFICATIONS

- Working Temperature: -22 to 284 °F
- Flammability Rating: UL 94HB
- Material: Polypropylene

FINISH

- Color: Black

Catalog Number	Diameter (in.)	Length (ft.)	Unit Weight (lb.)	Qty.
ZFX100M8MMBK	0.31	328	0.033	1
ZFX50M15MMBK	0.59	164	0.097	1
ZFX30M20MMBK	0.79	98.4	0.154	1
ZFX20M25MMBK	0.98	65.6	0.22	1

FGBS FIBERGLASS BRAIDED SLEEVE



FEATURES

- Fiberglass impregnated with high temperature varnish
- Resistant to high temperature
- Thermal insulation and mechanical protection
- Halogen free

SPECIFICATIONS

- Working Temperature: -94 to 752 °F
- Flammability Rating: UL 1441 VW-1
- Material: Fiberglass

Catalog Number	Diameter (in.)	Length (ft.)	Unit Weight (lb.)	Qty.
FGBS4	0.47 Max, 0.16 Nom	328	0.022	1
FGBS8	0.94 Max, 0.31 Nom	328	0.031	1
FGBS10	1.18 Max, 0.39 Nom	328	0.035	1
FGBS12	1.42 Max, 0.47 Nom	328	0.04	1
FGBS15	1.77 Max, 0.59 Nom	164	0.066	1
FGBS20	2.36 Max, 0.79 Nom	164	0.097	1

Unit weight is per meter (3.28 ft.).

SBS ISOLATING SILICONE SLEEVE

FEATURES

- Resistant to high temperature
- Cost effective sleeve for insulation
- High flexibility
- Halogen free

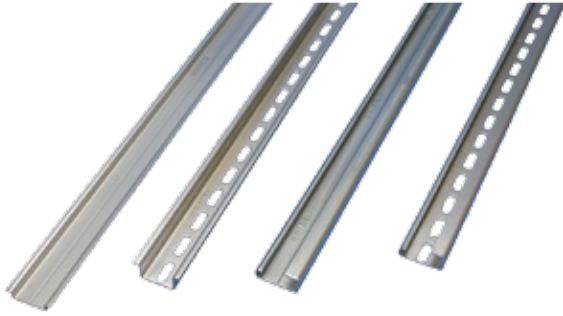
SPECIFICATIONS

- Insulation Voltage: 2.5 kV
- Max Working Voltage, IEC (Ui): 690 VAC/DC
- Max Working Voltage, UL (Vin): 690 VAC/DC
- Working Temperature: -76 to 428 °F
- Flammability Rating: UL 1441 VW-1
- Material: Fiberglass, Silicone

Catalog Number	Diameter (in.)	Length (ft.)	Unit Weight (lb.)	Qty.
SBS4	0.16	328	0.044	1
SBS6	0.24	328	0.084	1
SBS8	0.31	328	0.11	1
SBS10	0.39	328	0.119	1
SBS12	0.47	328	0.154	1
SBS15	0.59	82	0.245	1
SBS20	0.79	82	0.326	1
SBS25	0.98	98.4	0.408	1
SBS30	1.18	98.4	0.489	1

Unit weight is per meter (3.28 ft.).

STEEL PROFILES



FEATURES

- Galvanized steel construction
- High mechanical resistance and high corrosion resistance
- Conforms to EN 50035 and 50022 and DIN 46277
- Available in symmetric, asymmetric profiles both perforated and solid

DR SYMMETRIC PROFILE

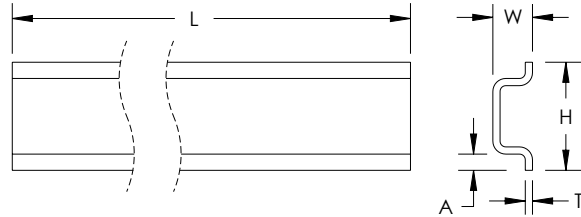


SPECIFICATIONS

- Material: Steel

FINISH

- Finish: Electrogalvanized



FEATURES

- Rapid assembly of all kinds of frameworks
- High mechanical resistance
- High corrosion resistance
- Conforms to EN 60715 and 50022 and DIN 46277
- RoHS compliant

Catalog Number	Height H (in.)	Width W (in.)	Length L (ft.)	Thickness T (in.)	A (in.)	Unit Weight (lb.)	Qty.
DR15X2M	1.38	0.6	6.6	0.06	0.16	2.87	15
DR55X2M	0.59	0.22	6.6	0.04	0.089	0.73	15
DR7X2M	1.38	0.3	6.6	0.04	0.16	1.46	15

DRG ASYMMETRIC PROFILE

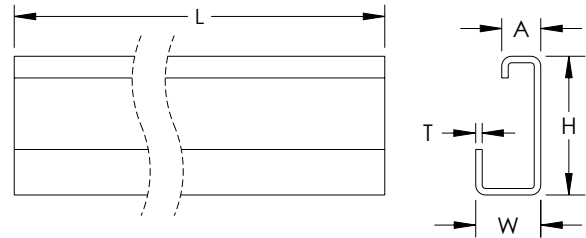


SPECIFICATIONS

- Material: Steel

FINISH

- Finish: Electrogalvanized



FEATURES

- Rapid assembly of all kinds of frameworks
- High mechanical resistance
- High corrosion resistance
- Conforms to EN 60715 and 50035 and DIN 46277
- RoHS compliant

Catalog Number	Height H (in.)	Width W (in.)	Length L (ft.)	Thickness T (in.)	A (in.)	Unit Weight (lb.)	Qty.
DRG2M	1.26	0.6	6.6	0.06	0.35	3.1	15

PDR PERFORATED SYMMETRIC PROFILE

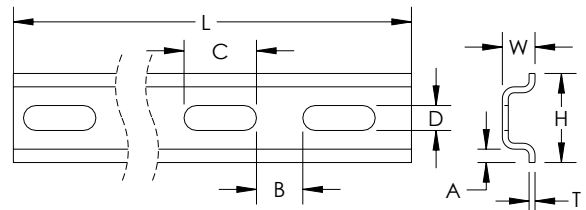


SPECIFICATIONS

- Material: Steel

FINISH

- Finish: Electrogalvanized



FEATURES

- Rapid assembly of all kinds of frameworks
- High mechanical resistance
- High corrosion resistance
- RoHS compliant
- Conforms to EN 60715 and 50022 and DIN 46277

Catalog Number	Height H (in.)	Width W (in.)	Length L (ft.)	Thickness T (in.)	A (in.)	B (in.)	C (in.)	D (in.)	Unit Weight (lb.)	Qty.
PDR152M	1.38	0.6	6.6	0.06	0.16	0.28	0.7	0.24	2.65	100
PDR152M52	1.38	0.6	6.6	0.06	0.16	0.43	0.98	0.2	2.65	15
PDR52M	0.59	0.22	6.6	0.04	0.089	0.3	0.48	0.165	0.62	15
PDR72M	1.38	0.3	6.6	0.04	0.16	0.28	0.7	0.24	1.37	15
PDR72M52	1.38	0.3	6.6	0.04	0.16	0.43	0.98	0.2	1.37	15

PDRG PERFORATED ASYMMETRIC PROFILE

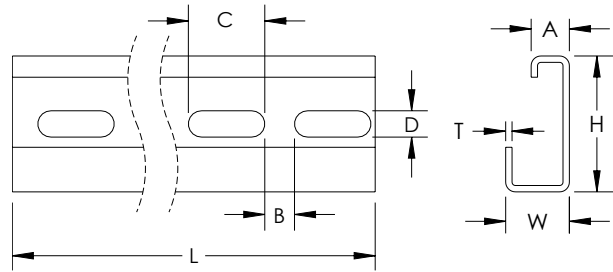


SPECIFICATIONS

- Material: Steel

FINISH

- Finish: Electrogalvanized

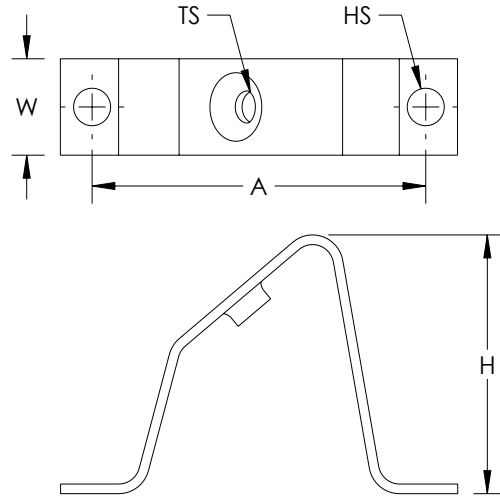


FEATURES

- Rapid assembly of all kinds of frameworks
- High mechanical resistance
- High corrosion resistance
- Conforms to EN 60715 and 50035 and DIN 46277
- RoHS compliant

Catalog Number	Height H (in.)	Width W (in.)	Length L (ft.)	Thickness T (in.)	A (in.)	B (in.)	C (in.)	D (in.)	Unit Weight (lb.)	Qty.
PDRG2M	1.26	0.6	6.6	0.06	0.35	0.28	0.7	0.24	2.9	15

IRS ANGLE SUPPORT BRACKET



FEATURES

- Use to fix DIN profiles or earth bars in an inclined position

SPECIFICATIONS

- Material: Steel

FINISH

- Finish: Electrogalvanized

Catalog Number	Thread Size TS	Hole Size HS (in.)	Width W (in.)	Height H (in.)	A (in.)	Unit Weight (lb.)	Qty.
IRS5	M5	.25	0.71	1.89	2.36	0.08	50
IRS6	M6	.25	0.71	1.89	2.36	0.08	50