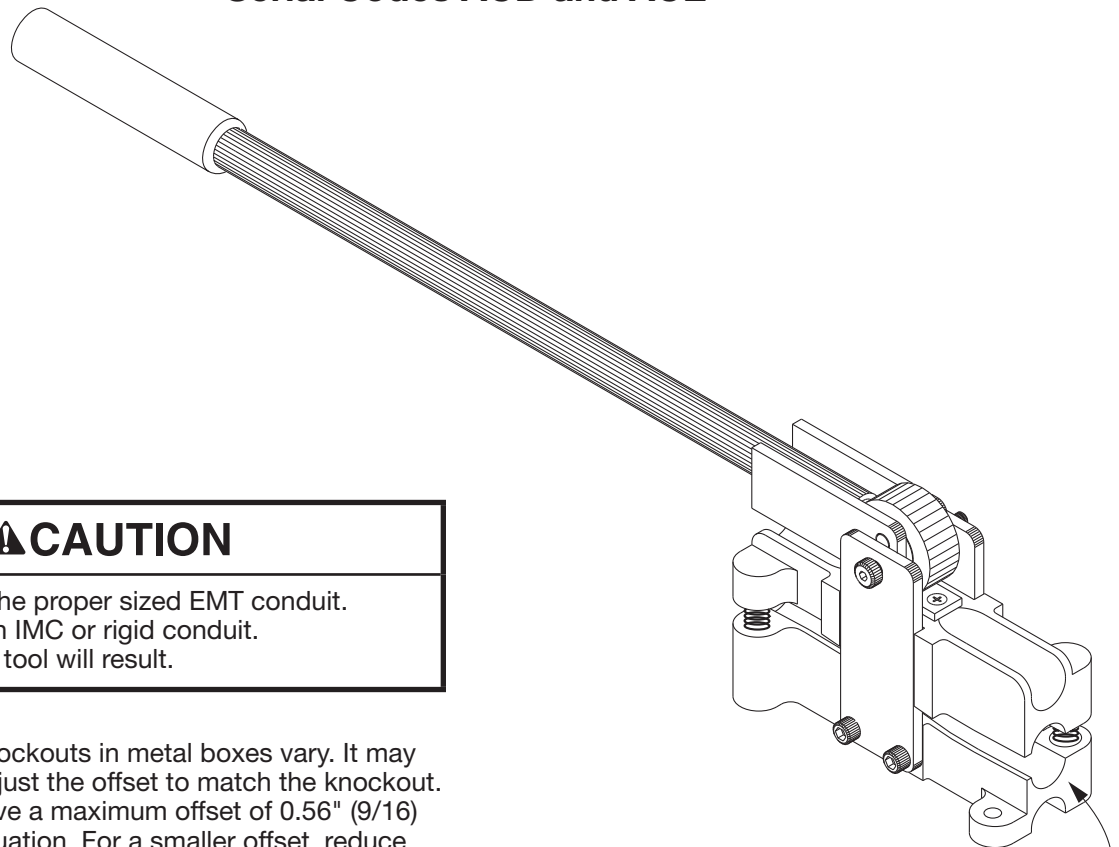


PARTS LIST



1810 and 1811 Little Kicker[®] Hand Benders for 1/2" and 3/4" EMT Serial Codes ACD and ACE



▲ CAUTION

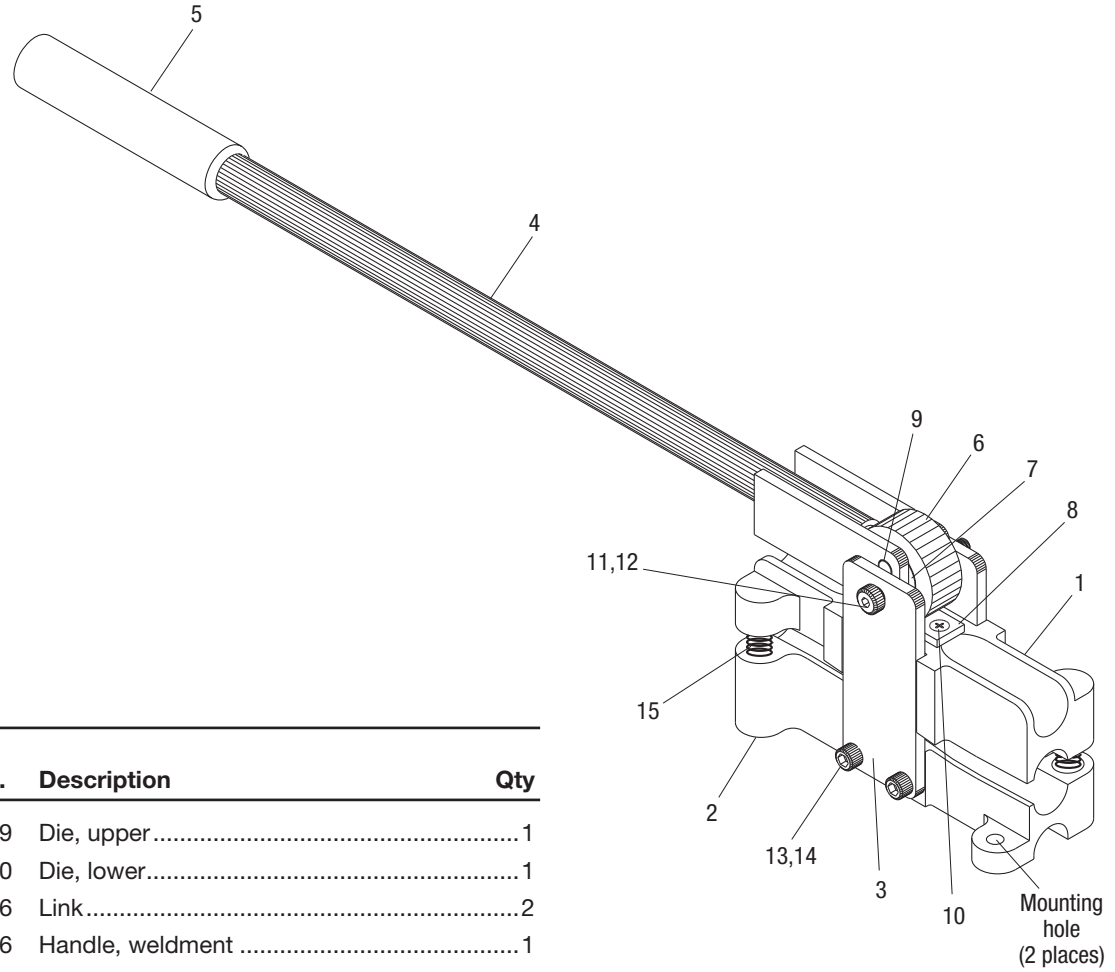
Use only with the proper sized EMT conduit.
Do not use with IMC or rigid conduit.
Damage to the tool will result.

The locations of knockouts in metal boxes vary. It may be necessary to adjust the offset to match the knockout. This tool can achieve a maximum offset of 0.56" (9/16) with full handle actuation. For a smaller offset, reduce the amount of handle actuation.

For best results, mount the bender to a bench top or similar surface. Use the mounting holes provided.

End of conduit
should stick out of the
low side of the dies.

Little Kicker is a registered trademark of Textron Innovations Inc.



Key	1810 Part No.	1811 Part No.	Description	Qty
1	50030116	50022679	Die, upper.....	1
2	50030108	50022660	Die, lower.....	1
3	50043196	50043196	Link.....	2
4	50043226	50043226	Handle, weldment	1
5	52055243	52055243	Grip, rubber	1
6	50043200	50043200	Roller	1
7	50043153	50043153	Eccentric.....	1
8	50043234	50043234	Plate, wear.....	1
9	90550188	90550188	Dowel, .375 dia. x 1.375 lg.....	1
10			Screw, mach. #10-24 x .5 lg., flat head.....	2
11			Screw, shoulder 3/8-16 x 1/2 dia. x 2.0 lg.....	1
12			Nut, hex 3/8-16	1
13			Screw, socket head cap 5/16-18 x 2.250 lg...2	2
14			Nut, hex 5/16-18	2
15	50145762	50145762	Spring, compression	2
16	50043242	50043269	Decal, identification (not shown)	1