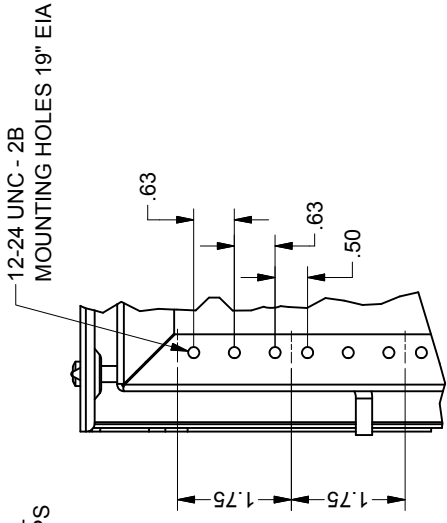
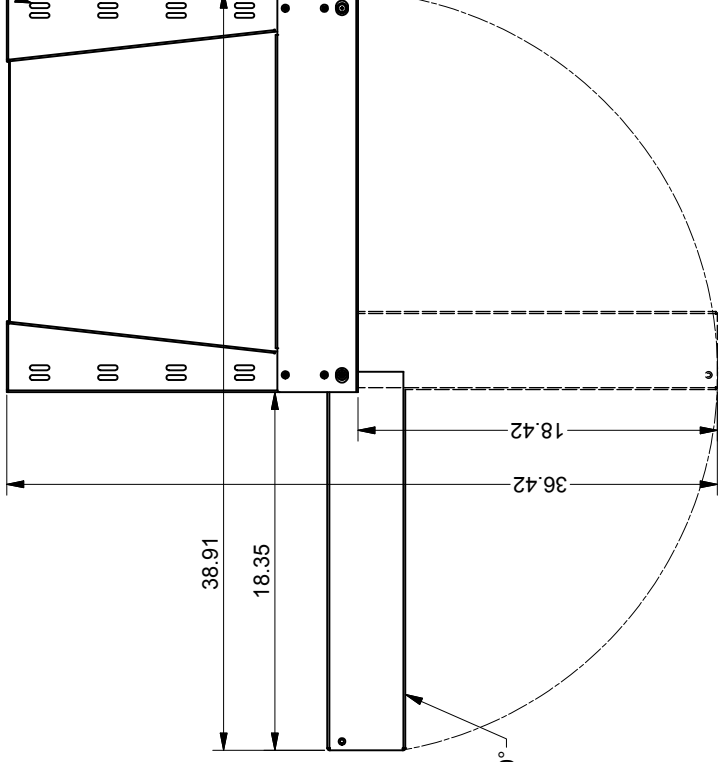


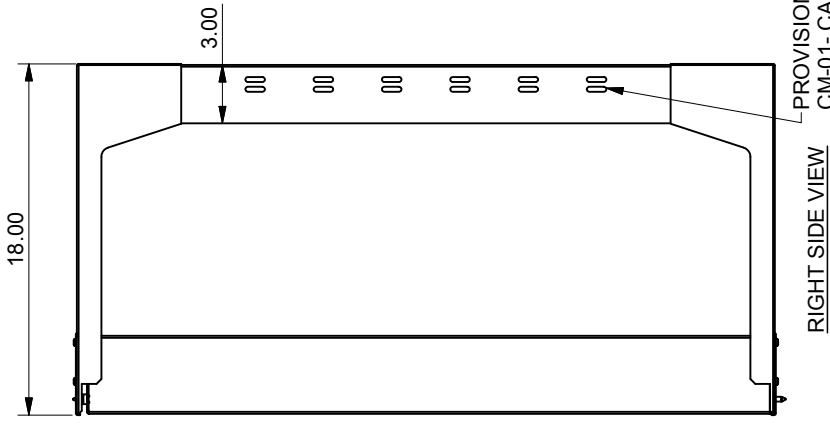
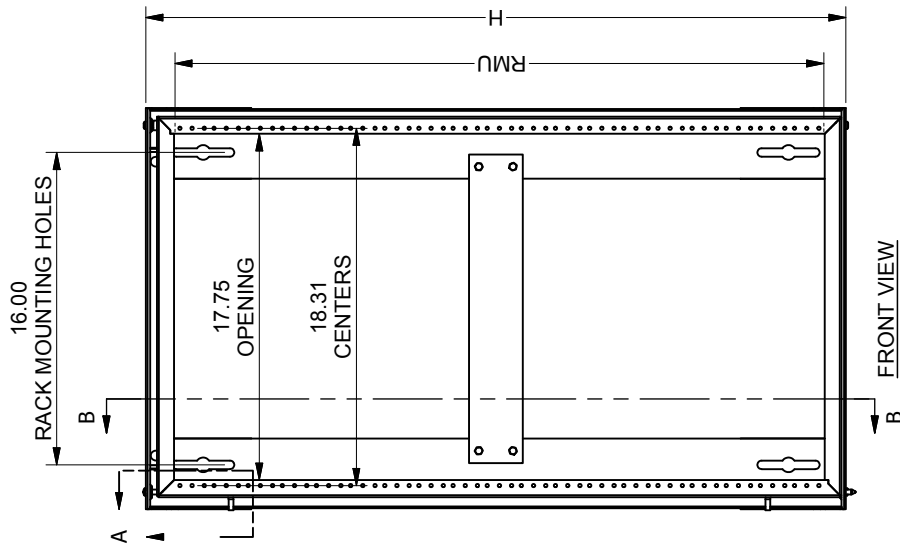
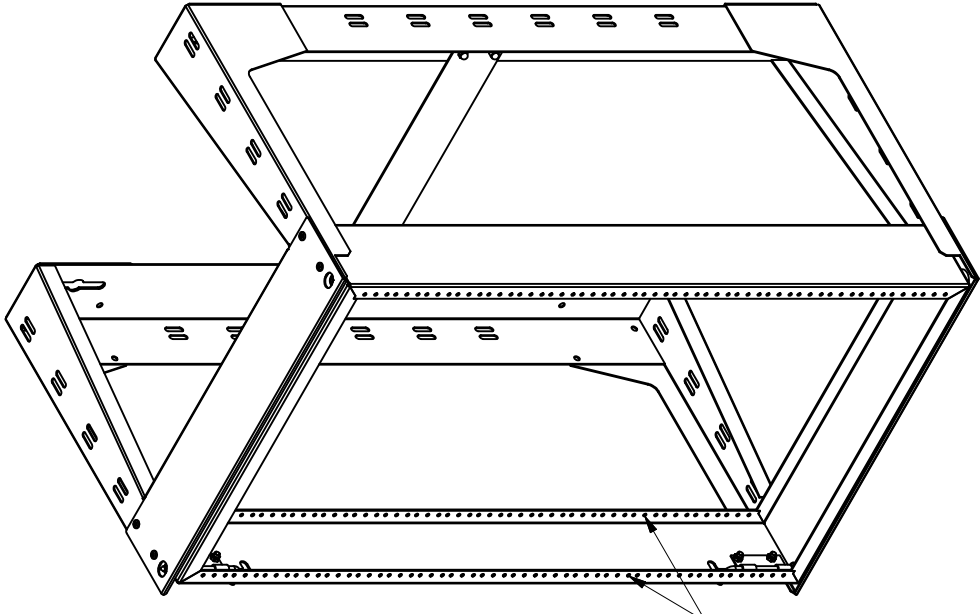
PROVISIONS FOR OPTIONAL
CM-01- CABLE CINCH STRAPS



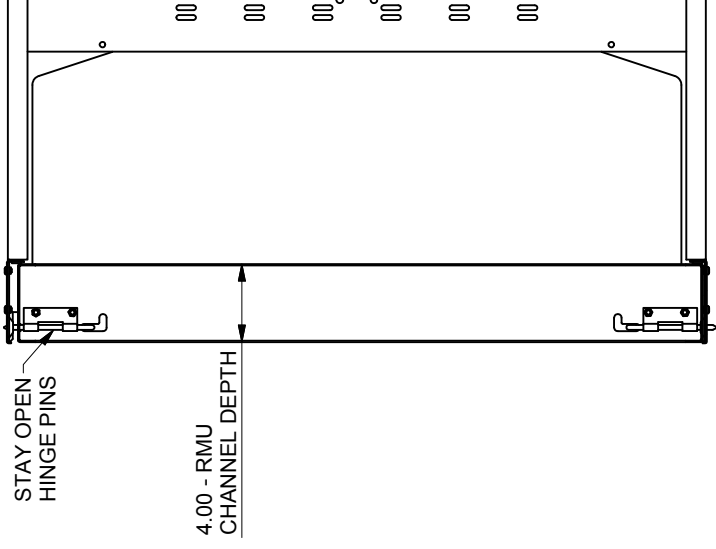
12-24 UNC - 2B
MOUNTING HOLES 19" EIA



PROVISIONS FOR OPTIONAL
CM-01- CABLE CINCH STRAPS



PROVISIONS FOR OPTIONAL
CM-01- CABLE CINCH STRAPS



SPECIFICATIONS:

RACK SPACES : 19" EIA 310-E COMPLIANT - SEE CHART

WEIGHT CAPACITY : 100 lbs.

COLOR : DURABLE TEXTURED BLACK POWDER COATING

CERTIFICATIONS : UL 60950-1 STANDARD FOR I.T. & COMMUNICATIONS EQUIPMENT.

CONSTRUCTION : DOUBLE TAPPED, WELDED FRONT "C" CHANNEL, #14 GA. C.R.S.
WELDED FRAME, #16 GA. C.R.S.
REAR SUPPORT PLATE, #16 GA. C.R.S.

USABLE DEPTH: 16" FROM FRONT TAPPED FLANGE

HARDWARE : PACKAGE OF QTY-50; #12-24 SCREWS, INCLUDED.

PART NUMBER	H - HEIGHT	RMU - TOTAL
24SR	23.87	12
36SR	35.87	19
48SR	47.87	26

INTERPRET DRAWING PER ASME Y14.5M-1994
DIMENSIONAL LIMITS APPLY
AFTER APPLICATION OF FINISH
DRAWING NOT TO SCALE
TOLERANCE UNLESS OTHERWISE NOTED:
ANGULAR +/- 1
XXX +/- .010
XX +/- .005
X FOR REF ONLY

NOTICE:
Use of this document is subject to a confidentiality and nondisclosure agreement with Great Lakes Case & Cabinet Co., Inc. (GLCC) and may not be reproduced, disclosed or utilized in whole or in part without prior written authorization from GLCC.

PART NUMBER: 1013250
QTY PER UNIT: 1
MATERIAL TYPE:
MATERIAL GAUGE:
FINISH: SEE NOTES
DRAWN: MZ
DATE: 1/11/2011
CHECKED & APP. DATE: 1/11/2011
WSS

TITLE
SWING RACKS

GREAT LAKES CASE & CABINET CO., INC.
P.O. BOX 551 EDINBORO, PA 16412
PHONE (814) 734-7303 FAX (814) 734-3907
E-MAIL glcc@greatlakes.com

DWG NO: 1013250
REV: 0
SHEET: 1 OF 1