

GSZC16 Remote Heat Pump

GSZC160241CA
GSZC160361CA
GSZC160481CA
GSZC160601CA



This manual is to be used by qualified technicians only.

© 2018 Goodman Manufacturing Company, L.P. ♦ 5151 San Felipe St, Suite 500 ♦ Houston, TX 77056

Important Information

Index

| | |
|------------------------------|-------|
| Functional Parts List | 3 |
| Illustration and Parts | 4 - 9 |

Views shown are for parts illustrations only, not servicing procedures

Text Codes:

AR - As Required

NA - Not Available

NS - Not Shown

00000000 - See Note

QTY - Quantity Example (QTY 3) (If Quantity not shown, Quantity = 1)

M - Model Example (M1) (If M Code not shown, then part is used on all Models)

Expanded Model Nomenclature:

| |
|---|
| Example M1 - Model#1 M2 - Model#2 M3 - Model#3 |
|---|

Goodman Manufacturing Company, L.P. is not responsible for personal injury or property damage resulting from improper service. Review all service information before beginning repairs.

Warranty service must be performed by an authorized technician, using authorized factory parts. If service is required after the warranty expires, Goodman Manufacturing Company, L.P. also recommends contacting an authorized technician and using authorized factory parts.

Goodman Manufacturing Company, L.P. reserves the right to discontinue, or change at any time, specifications or designs without notice or without incurring obligations.

For assistance within the U.S.A. contact:

Homeowner Support

Goodman Manufacturing Company, L.P.

19001 Kermier Road

Waller, Texas 77484

877-254-4729-Telephone

713-863-2382-Facsimile

For assistance outside the U.S.A. contact:

International Division

Goodman Manufacturing Company, L.P.

19001 Kermier Road

Waller, Texas 77484

713-861-2500-Telephone

713-863-2382-Facsimile

Functional Parts

Part

No: Description:

| | |
|----------------|--------------------------------------|
| 0151R00079 | BASE VALVE 3/4" (M1) |
| 0151R00167 | BASE VALVE 3/8" |
| 0151R00080 | BASE VALVE 7/8" (M2, M3, M4) |
| CAP050350440CS | CAPACITOR 5/35/440V (M1, M3) |
| CAP050400440CT | CAPACITOR 5/40/440V/DUAL RD (M2) |
| CAP050450440CT | CAPACITOR 5/45/440V/DUAL RD (M4) |
| ZPS49K6EPFV130 | COMP 49000,208/230/60/1 (M4) |
| ZPS19K6EPFV130 | COMP, 19000,208/230/60/1 (M1) |
| ZPS29K6EPFV130 | COMP, 29000,208/230/60/1 (M2) |
| ZPS40K6EPFV130 | COMP, 40000,208/230/60/1 (M3) |
| 0130R00003 | CUT-OUT SWITCH, HIGH PRESSURE |
| 0130R00002 | CUT-OUT SWITCH, LOW PRESSURE |
| 0130M00106 | DISC THERMOSTAT(CR NKCS HTR SW) |
| 11046710 | DISC-THERMOSTAT |
| 0163R00006 | HEATER, CRANKCASE 230V, 40W (M1, M2) |
| 0131M00866 | MOTOR, 1/5 HP, 2SP, 8PL (M1, M2, M3) |
| 0131M00804 | MOTOR, ECM (M4) |
| 0130M00054 | OUTDOOR AIR TEMP SENSOR |
| 0130M00502 | OUTDOOR COIL TEMP SENSOR |
| PCBHR105 | PCB, COTROL BOARD |
| 0151R00071 | REVERSING VALVE (M2, M3, M4) |
| 0151R00068 | REVERSING VALVE (M1) |
| 0130R00107 | SHARED DATA (M4) |
| 0130R00106 | SHARED DATA (M3) |
| 0130R00105 | SHARED DATA (M2) |
| 0130R00104 | SHARED DATA (M1) |
| B1225022 | SOLENOID COIL |
| 0130M00138 | TRANSFORMER 208/230, 24V |
| 0151M00068 | VALVE, TXV R-410A (M3, M4) |
| 0151M00069 | VALVE, TXV R-410A (M2) |
| 0151M00070 | VALVE, TXV R-410A (M1) |
| 0130M00005P | WIRE HARNESS, COMPRESSOR SOLENOID |

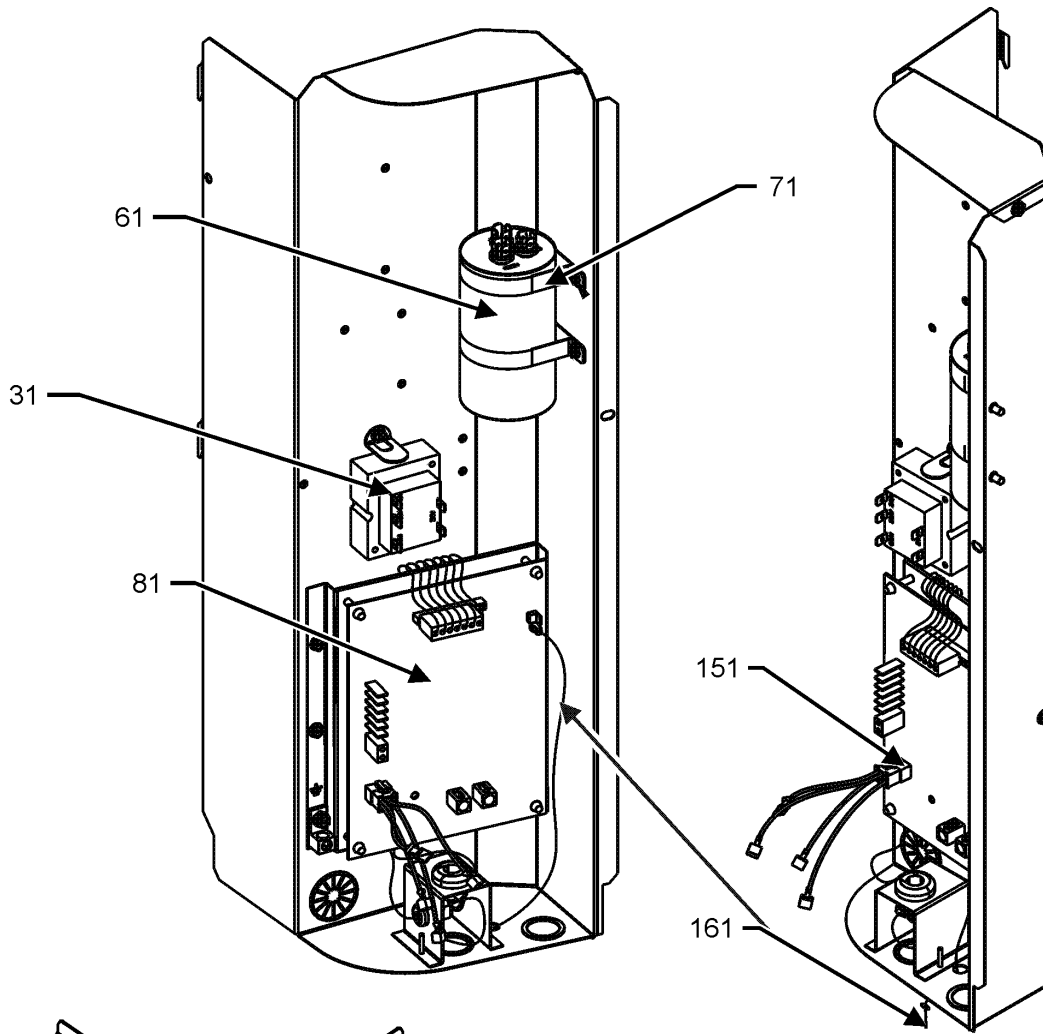
SPECIAL PARTS

| | |
|------------|--------------------|
| 0161R00088 | CAP, BLANK GRILL |
| 0161R00092 | NAMEPLATE, GOODMAN |

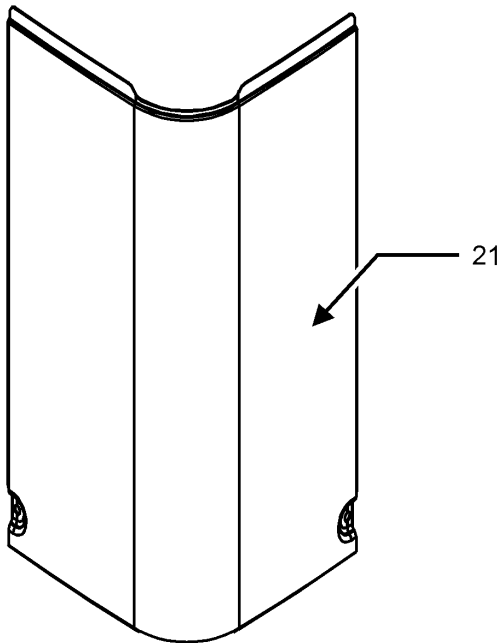
Expanded Model Nomenclature

| |
|-------------------|
| M1 - GSZC160241CA |
| M2 - GSZC160361CA |
| M3 - GSZC160481CA |
| M4 - GSZC160601CA |

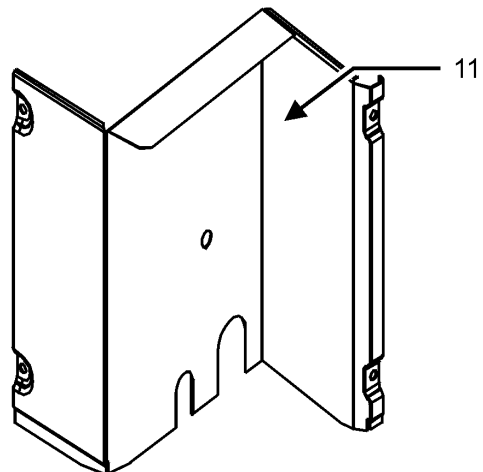
Control Box Assembly



CONTROL PANEL
SIDE VIEW



UPPER ACCESS PANEL



LOWER ACCESS PANEL

Control Box Assembly

| Ref. Part No: No: | Description: | Ref. Part No: No: | Description: |
|-------------------|--------------|-------------------|--------------|
|-------------------|--------------|-------------------|--------------|

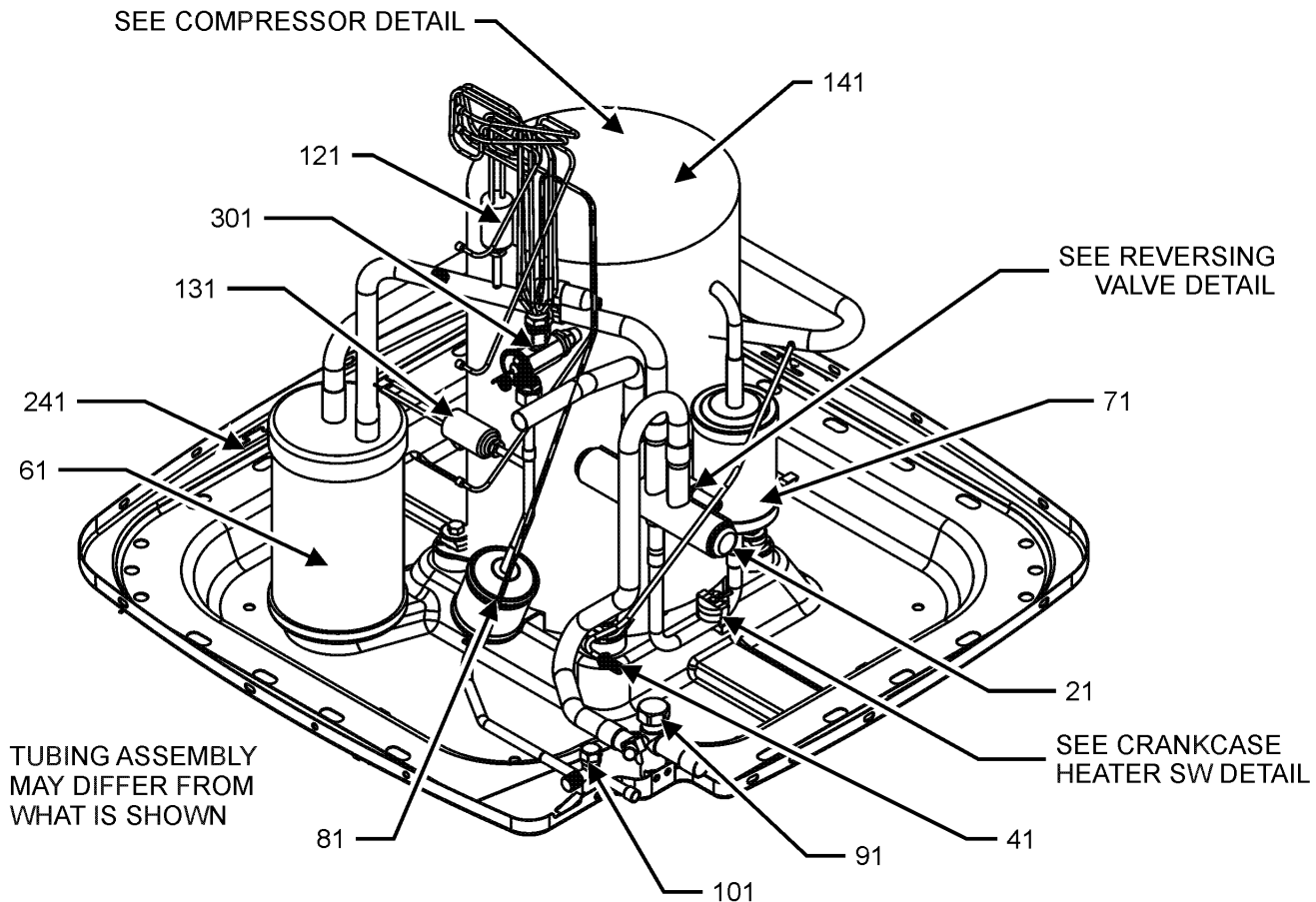
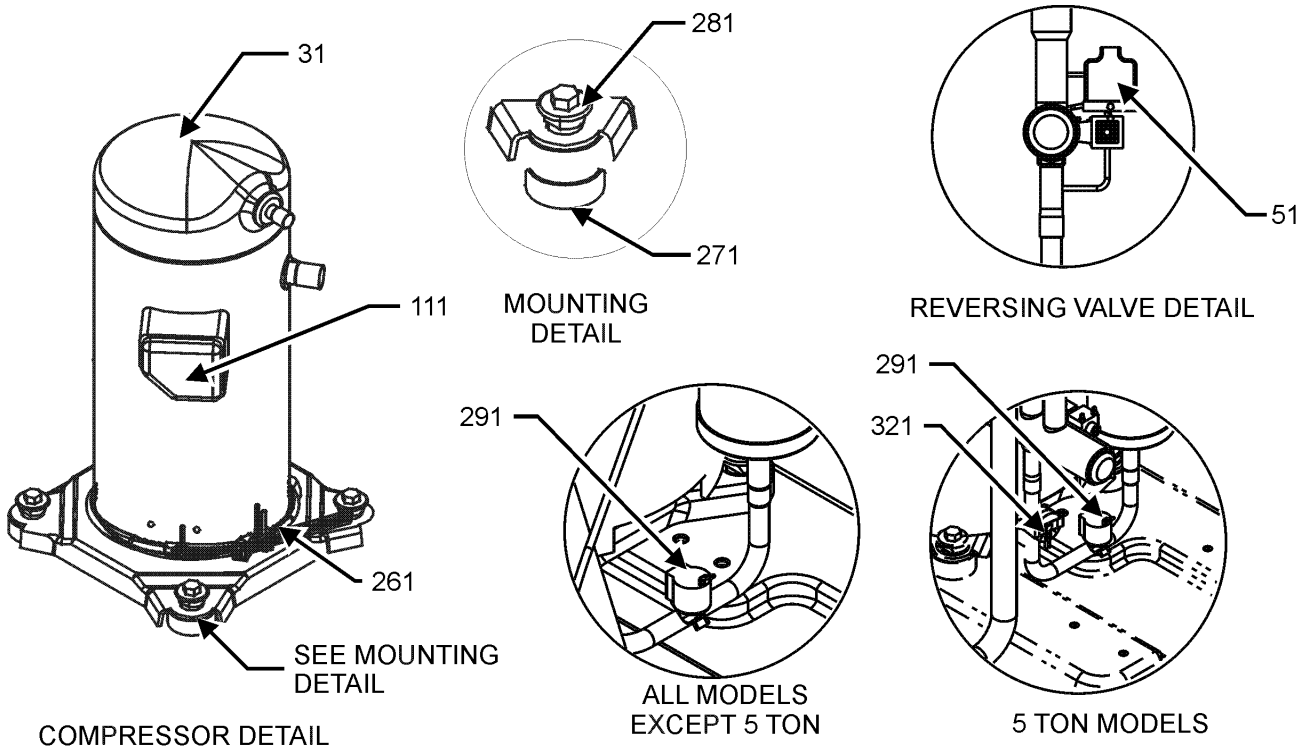
Image 1:

| | | |
|-----|----------------|---------------------------------------|
| 11 | 0121R00662PDG | PANEL, LOWR ACCESS PNT (M2, M4) |
| 11 | 0121R00847PDG | PANEL, LOWR ACCESS PNT (M1, M3) |
| 21 | 0121R00054PDG | CONTROL COVER |
| 31 | 0130M00138 | TRANSFORMER 208/230, 24V |
| 61 | CAP050350440CS | CAPACITOR 5/35/440V (M1, M3) |
| 61 | CAP050400440CT | CAPACITOR 5/40/440V/DUAL RD (M2) |
| 61 | CAP050450440CT | CAPACITOR 5/45/440V/DUAL RD (M4) |
| 71 | 0121R00213 | CAPACITOR STRAP (QTY 2) |
| 81 | PCBHR105 | PCB, COTROL BOARD |
| 151 | 0159R00011 | WIRE ASSEMBLY, ECM MOTOR (M4) |
| 151 | 0159R00010 | WIRE ASSEMBLY, PSC MOTOR (M1, M2, M3) |
| 161 | 0130M00054 | OUTDOOR AIR TEMP SENSOR |
| NS | 0161R00092 | NAMEPLATE, GOODMAN |
| NS | 0130R00104 | SHARED DATA (M1) |
| NS | 0130R00105 | SHARED DATA (M2) |
| NS | 0130R00106 | SHARED DATA (M3) |
| NS | 0130R00107 | SHARED DATA (M4) |

Expanded Model Nomenclature

| |
|-------------------|
| M1 - GSZC160241CA |
| M2 - GSZC160361CA |
| M3 - GSZC160481CA |
| M4 - GSZC160601CA |

Compressor and Tubing Assembly



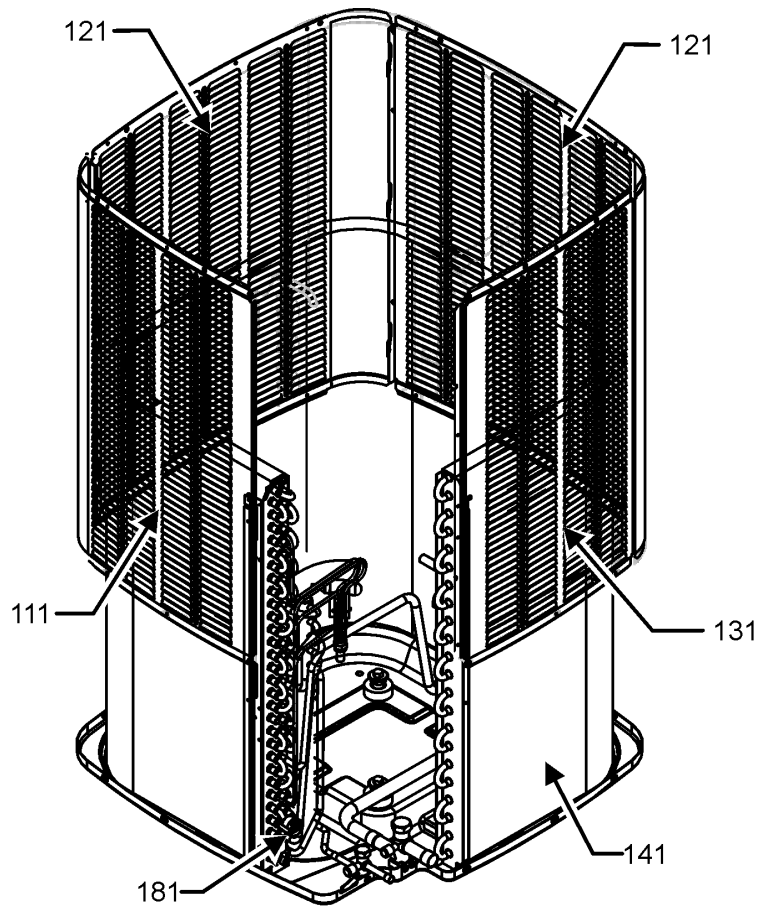
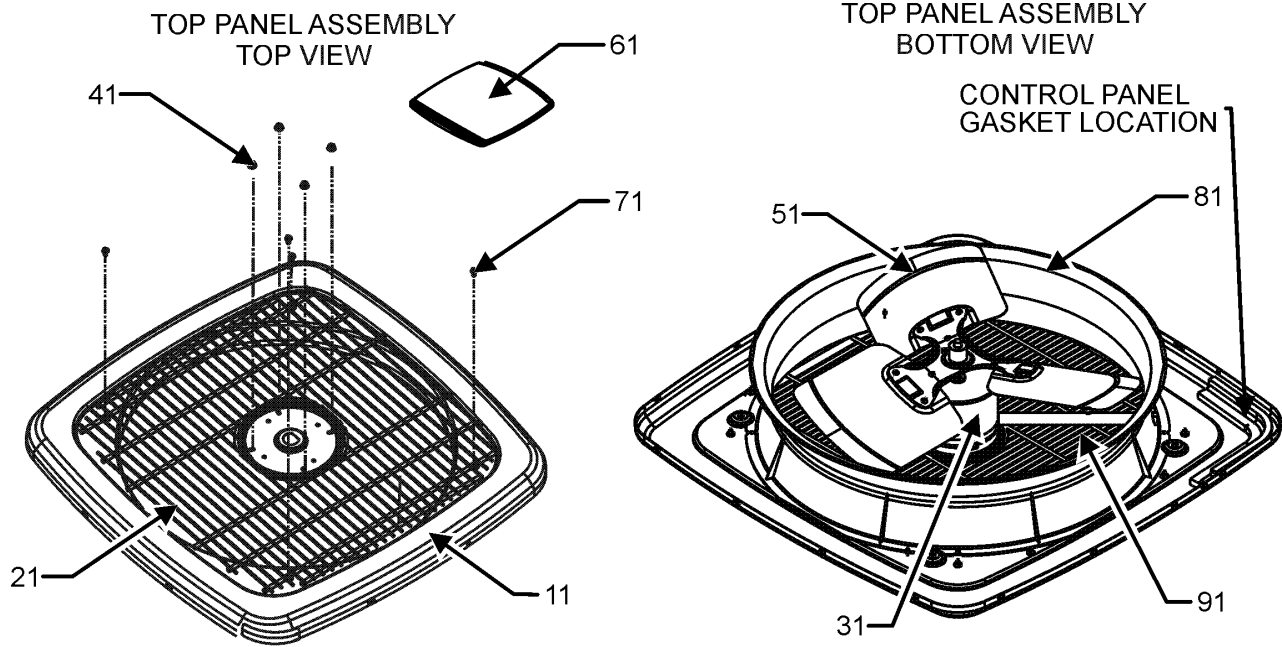
Compressor and Tubing Assembly

| Ref. Part No: No: | Description: | Ref. Part No: No: | Description: |
|-------------------|----------------|-------------------|--------------------------------------|
| <i>Image 1:</i> | | | |
| 21 | 0151R00068 | | REVERSING VALVE (M1) |
| 21 | 0151R00071 | | REVERSING VALVE (M2, M3, M4) |
| 31 | ZPS49K6EPFV130 | | COMP 49000,208/230/60/1 (M4) |
| 31 | ZPS19K6EPFV130 | | COMP, 19000,208/230/60/1 (M1) |
| 31 | ZPS29K6EPFV130 | | COMP, 29000,208/230/60/1 (M2) |
| 31 | ZPS40K6EPFV130 | | COMP, 40000,208/230/60/1 (M3) |
| 41 | 0163M00175 | | CAP WITH O-RING |
| 51 | 0130M00084 | | SOLENOID HARNESS W/1/4" TERM |
| 61 | 0151L00009 | | ACCUMULATOR (M2) |
| 61 | 0151L00010 | | ACCUMULATOR (M3, M4) |
| 61 | 0151L00058 | | ACCUMULATOR (M1) |
| 71 | 0162R00007 | | MUFFLER 1/2 X 1/2 |
| 81 | 20485201 | | BI-FLOW FILTER DRIER |
| 91 | 0151R00079 | | BASE VALVE 3/4" (M1) |
| 91 | 0151R00080 | | BASE VALVE 7/8" (M2, M3, M4) |
| 101 | 0151R00167 | | BASE VALVE 3/8" |
| 111 | 0159R00009 | | COMPRESSOR SCROLL HARNESS |
| 121 | 0130R00002 | | CUT-OUT SWITCH, LOW PRESSURE |
| 131 | 0130R00003 | | CUT-OUT SWITCH, HIGH PRESSURE |
| 141 | B1488806 | | COMPRESSOR SOUND BLANKET (M3, M4) |
| 141 | B1488810 | | COMPRESSOR SOUND BLANKET (M1, M2) |
| 241 | 0121R00007PDG | | BASE PAN 35" |
| 261 | 0163R00006 | | HEATER, CRANKCASE 230V, 40W (M1, M2) |
| 271 | B1339533 | | COMPRESSOR GROMMET (QTY 4) |
| 281 | M0221641 | | TF SHOULDER SCREW (QTY 4) |
| 291 | 0130M00106 | | DISC THERMOSTAT(CRNKCS HTR SW) |
| 301 | 0151M00068 | | VALVE, TXV R-410A (M3, M4) |
| 301 | 0151M00069 | | VALVE, TXV R-410A (M2) |
| 301 | 0151M00070 | | VALVE, TXV R-410A (M1) |
| 321 | 11046710 | | DISC-THERMOSTAT |
| NS | 20270810 | | COMPENSATOR (M4) |
| NS | 20270812 | | COMPENSATOR (M3) |
| NS | B1225022 | | SOLENOID COIL |
| NS | B1787000 | | VALVE CORE |
| NS | 0130M00005P | | WIRE HARNESS, COMPRESSOR SOLENOID |

Expanded Model Nomenclature

| |
|-------------------|
| M1 - GSZC160241CA |
| M2 - GSZC160361CA |
| M3 - GSZC160481CA |
| M4 - GSZC160601CA |

Cabinet Top and Louver Panel Assembly



LOUVER PANEL ASSEMBLY

Cabinet Top and Louver Panel Assembly

| Ref. Part No: No: | Description: | Ref. Part No: No: | Description: |
|-------------------|--------------|-------------------|--------------|
|-------------------|--------------|-------------------|--------------|

Image 1:

| | | |
|-----|---------------|---|
| 11 | 0121R00577PDG | TOP PANEL 35" |
| 21 | 0152R00019 | GRILL, WIRE 35" TOP (M4) |
| 21 | 0152R00016 | GRILLE, WIRE 35" TOP (M1, M2, M3) |
| 31 | 0131M00866 | MOTOR, 1/5 HP, 2SP, 8PL (M1, M2, M3) |
| 31 | 0131M00804 | MOTOR, ECM (M4) |
| 41 | M0280801 | HEX NUT (QTY 4) |
| 51 | 0150M00054 | FAN BLADE, 26" |
| 61 | 0161R00088 | CAP, BLANK GRILL |
| 71 | 0163M00003P | SCREW #10 X 1/2, A, SLOT, SR, BLACK (QTY 6) |
| 81 | 0161R00049 | MOLDED RING-VENTURI 26" |
| 91 | 0161R00070 | CONDUIT (M1, M2, M3) |
| 91 | 0163M00385 | CONDUIT-FLEXIBLE (M4) |
| 111 | 0121R00592PDG | PANEL 1, LOUVER 35_34.64 PNT (M1, M3) |
| 111 | 0121R00593PDG | PANEL 1, LOUVER 35_39.84 PNT (M2, M4) |
| 121 | 0121R00594PDG | PANEL 2, LOUVER 35_34.64 PNT (M1, M3) |
| 121 | 0121R00595PDG | PANEL 2, LOUVER 35_39.84 PNT (M2, M4) |
| 131 | 0121R00596PDG | PANEL 3, LOUVER 35_34.64 PNT (M1, M3) |
| 131 | 0121R00597PDG | PANEL 3, LOUVER 35_39.84 PNT (M2, M4) |
| 141 | 0201R00709 | COIL TUBING ASSY (M2) |
| 141 | 0201R00710 | COIL TUBING ASSY (M3) |
| 141 | 0201R00711 | COIL TUBING ASSY (M4) |
| 141 | 0201R00723 | COIL TUBING ASSY (M1) |
| 181 | 0130M00502 | OUTDOOR COIL TEMP SENSOR |
| NS | 0154R00006 | GASKET, CONTROL PANEL |
| NS | 0159R00011 | WIRE ASSEMBLY, ECM MOTOR (M4) |
| NS | 0159R00010 | WIRE ASSEMBLY, PSC MOTOR (M1, M2, M3) |

Expanded Model Nomenclature

| |
|-------------------|
| M1 - GSZC160241CA |
| M2 - GSZC160361CA |
| M3 - GSZC160481CA |
| M4 - GSZC160601CA |