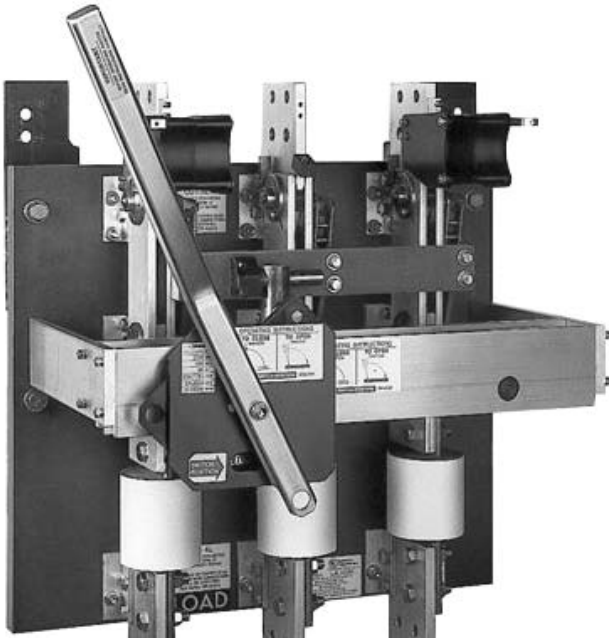


# Pringle switch and replacement parts



## Contents

Description	Page
Product description . . . . .	2
Features . . . . .	2
Pringle switch information . . . . .	3
Catalog numbering systems . . . . .	4
Pringle switch replacement parts . . . . .	5
Cross-reference . . . . .	5



*Powering Business Worldwide*

## Product description

Eaton's Pringle™ switches have helped pioneer development of high-quality electrical products for commercial and industrial applications since 1891. Our commitment to engineering excellence and reputation for quality have made us a recognized leader in the electrical industry, and today you'll find our electrical products in use throughout the U.S., Canada and most of the world's major markets. Eaton's Pringle bolted contact switches were the first in the industry and are a worldwide standard in high-current switching applications. They are custom-built and used in many heavy-duty applications, and are suitable for use in UL® 891 switchboards.

## Features

- 480V UL
- 600V CSA®
- 800–4000A
- 5000 and 6000A available (not UL Listed)
- 200 kAIC and 100% rated with Class L fuses
- Top or bottom feed
- Two-, three- or four-pole
- Optional blown fuse detection and protection
- Quick-positive switching action
- Manual or electrically operated mechanism
- 12X Make / 6X Break contact rating
- Can be supplied in NEMA® 1, 3R, 4, or 12 enclosures

## Products include:

### Manually operated (QA)—UL Listed

Manually operated contact switch with quick-positive switching action. It can be top or bottom fed and supplied in a NEMA 1, 3R, 4, or 12 enclosure.

### Electrical trip (CBC)—UL Listed

Contact switch with charge-before-close mechanism. Can be manually or electrically tripped. Optional blown fuse detector and phase failure relay with capacitor trip is available.

### Fault protector electrical trip (FP)—UL Listed

The FP combines the features of a CBC switch but includes an integrated zero-sequence sensor and a ground fault.

### Electrically operated electrical trip (EO)—not UL Listed

The EO combines the features of a CBC switch but includes an operator with a linear motor that electrically closes the switch while charging the stored energy mechanism for stored energy trip.

### Pringle Mill Switch (PMS)—not UL Listed

Manually operated contact switch with quick-positive switching action. Comes in a NEMA 12 or 4 enclosure with a side-operated mechanism. Can be fused or non-fusible, two- or three-pole configurations.

To place an order for a Pringle bolted pressure switch, please call 1-800-356-1243.

## Pringle switch information

**Table 1. Electrical Trip Switches (CBC)**

Type	Feed	Amperes	Old Pringle Catalog Number	Vista Catalog Number
CBC	Bottom	800	CBC-0833-B-120	CB0833B120480
CBC	Bottom	1200	CBC-1233-B-120	CB1233B120480
CBC	Bottom	1600	CBC-1633-B-120	CB1633B120480
CBC	Bottom	2000	CBC-2033-B-120	CB2033B120480
CBC	Bottom	2500	CBC-2533-B-120	CB2533B120480
CBC	Bottom	3000	CBC-3033-B-120	CB3033B120480
CBC	Bottom	4000	CBC-4033-B-120	CB4033B120480
CBC	Bottom	5000	CBC-5033-B-120	CB5033B120480
CBC	Bottom	6000	CBC-6033-B-120	CB6033B120480
CBC	Top	800	QA-0833-CBC-120	CB0833T120480
CBC	Top	1200	QA-1233-CBC-120	CB1233T120480
CBC	Top	1600	QA-1633-CBC-120	CB1633T120480
CBC	Top	2000	QA-2033-CBC-120	CB2033T120480
CBC	Top	2500	QA-2533-CBC-120	CB2533T120480
CBC	Top	3000	QA-3033-CBC-120	CB3033T120480
CBC	Top	4000	QA-4033-CBC-120	CB4033T120480
CBC	Top	5000	QA-5033-CBC-120	CB5033T120480
CBC	Top	6000	QA-6033-CBC-120	CB6033T120480

**Table 2. Fault Protectors (FP)**

Type	Feed	Amperes	Old Pringle Catalog Number	Vista Catalog Number
FP	Bottom	800	FP-0834-B-480	FP0834B120480
FP	Bottom	1200	FP-1234-B-480	FP1234B120480
FP	Bottom	1600	FP-1634-B-480	FP1634B120480
FP	Bottom	2000	FP-2034-B-480	FP2034B120480
FP	Bottom	2500	FP-2534-B-480	FP2534B120480
FP	Bottom	3000	FP-3034-B-480	FP3034B120480
FP	Bottom	4000	FP-4034-B-480	FP4034B120480
FP	Top	800	FP-0834-480	FP0834T120480
FP	Top	1200	FP-1234-480	FP1234T120480
FP	Top	1600	FP-1634-480	FP1634T120480
FP	Top	2000	FP-2034-480	FP2034T120480
FP	Top	2500	FP-2534-480	FP2534T120480
FP	Top	3000	FP-3034-480	FP3034T120480
FP	Top	4000	FP-4034-480	FP4034T120480

**Table 3. Manually Operated Switches (QA)**

Type	Feed	Amperes	Old Pringle Catalog Number	Vista Catalog Number
QA	Bottom	800	QA-0833-B	QA0833B480 ①
QA	Bottom	1200	QA-1233-B	QA1233B480 ①
QA	Bottom	1600	QA-1633-B	QA1633B480 ①
QA	Bottom	2000	QA-2033-B	QA2033B480 ①
QA	Bottom	2500	QA-2533-B	QA2533B480 ①
QA	Bottom	3000	QA-3033-B	QA3033B480 ①
QA	Bottom	4000	QA-4033-B	QA4033B480 ①
QA	Bottom	5000	QA-5033-B	QA5033B480 ①
QA	Bottom	6000	QA-6033-B	QA6033B480 ①
QA	Top	800	QA-0833	QA0833T480 ①
QA	Top	1200	QA-1233	QA1233T480 ①
QA	Top	1600	QA-1633	QA1633T480 ①
QA	Top	2000	QA-2033	QA2033T480 ①
QA	Top	2500	QA-2533	QA2533T480 ①
QA	Top	3000	QA-3033	QA3033T480 ①
QA	Top	4000	QA-4033	QA4033T480 ①
QA	Top	5000	QA-5033	QA5033T480 ①
QA	Top	6000	QA-6033	QA6033T480 ①

① 208V system also available. For other system voltages, see Table 5 on Page 4.

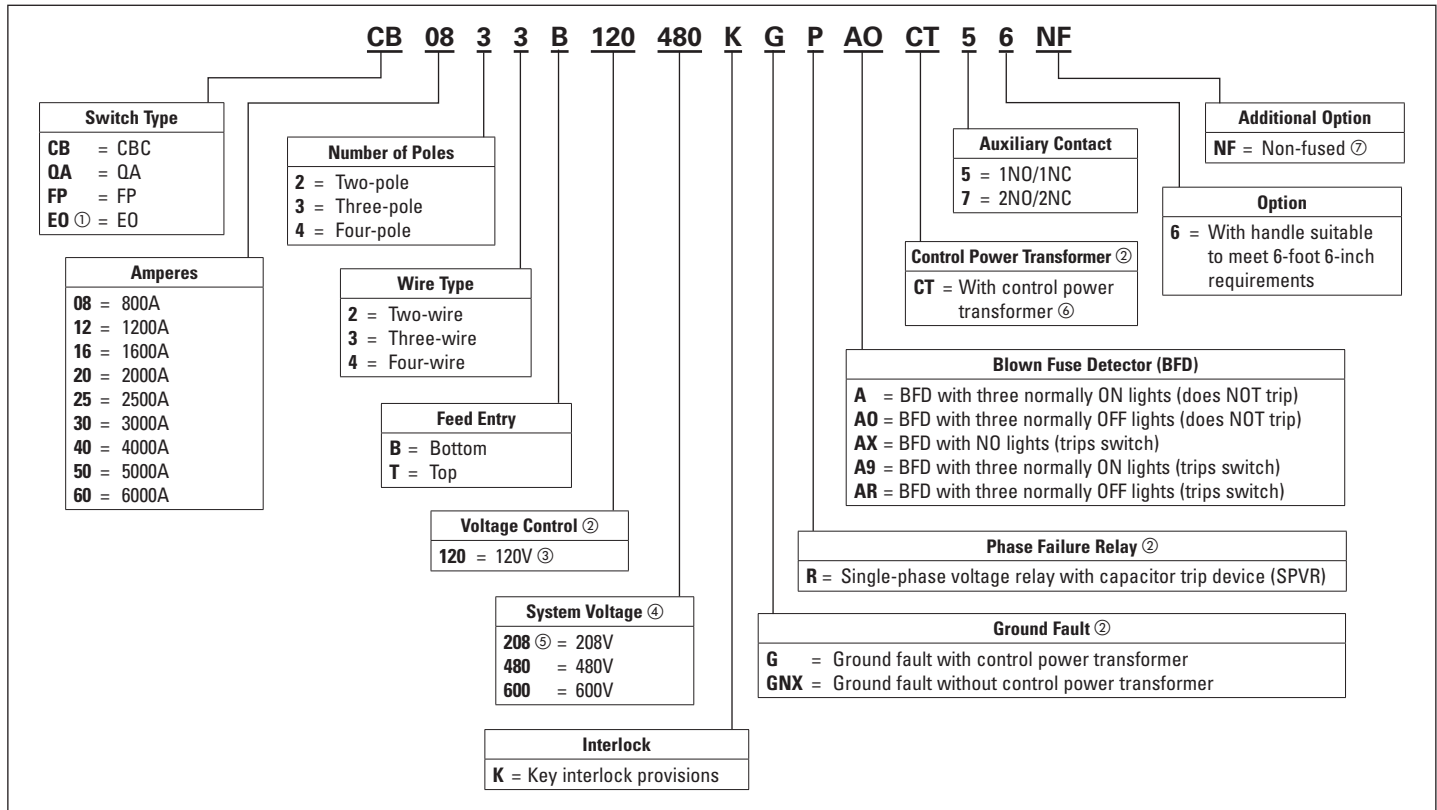
**Table 4. Electrically Operated Switches**

Type	Feed	Amperes	Old Pringle Catalog Number	Vista Catalog Number ①
FP	Bottom	800	CBC-0833-480-B-E0	E00833B120480
FP	Bottom	1200	CBC-1233-480-B-E0	E01233B120480
FP	Bottom	1600	CBC-1633-480-B-E0	E01633B120480
FP	Bottom	2000	CBC-2033-480-B-E0	E02033B120480
FP	Bottom	2500	CBC-2533-480-B-E0	E02533B120480
FP	Bottom	3000	CBC-3033-480-B-E0	E03033B120480
FP	Bottom	4000	CBC-0833-480-E0	E00833T120480
FP	Top	800	CBC-1233-480-E0	E01233T120480
FP	Top	1200	CBC-1633-480-E0	E01633T120480
FP	Top	1600	CBC-2033-480-E0	E02033T120480
FP	Top	2000	CBC-2533-480-E0	E02533T120480
FP	Top	2500	CBC-3033-480-E0	E03033T120480
FP	Top	3000	CBC-4033-480-E0	E04033T120480

① Substitute 480 with 208 when referencing a different system voltage.

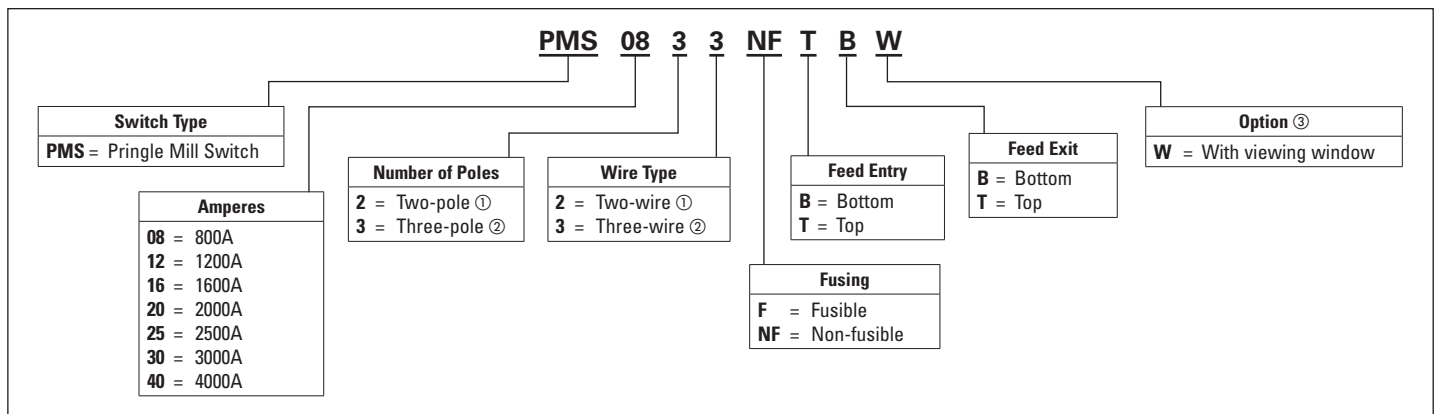
### Catalog numbering systems

Table 5. Vista Catalog Numbering System—CB, QA, FP, EO



- ① Not UL Listed. A separate control box might be required when adding accessories.
- ② Not an option with QA type switches. GF option includes control power transformer.
- ③ 110 Vdc and 125 Vdc also available. Please contact the plant.
- ④ For different system voltage requirements, please contact the plant.
- ⑤ For QA switches, please use a 480V system catalog number when referencing a 208V system.
- ⑥ Only applicable if ordering a CPT only, without ground fault.
- ⑦ Only available with QA switches and in a top-feed configuration.

Table 6. Vista Catalog Numbering System—Pringle Mill Switch



- ① 250 Vdc.
- ② 480 Vac.
- ③ Additional available accessories/options—door interlock, special nameplates, special paint, auxiliary contacts. Please inquire at the Cleveland, TN, plant.

## Pringle switch replacement parts

### Replacement products

- Pole yoke assembly
- Arc chute assembly
- Arcing parts
- Auxiliary contact
- BFD—actuator
- Capacitor
- Clamping mechanism
- Coil/solenoid assembly
- Coil assembly
- Coil only
- Deadfront
- EO motor assembly
- Ground fault relay
- K interlock kit
- Limit switch
- Micro switch
- Pan assembly
- Pole assembly
- Sensor
- SPVR—single-phase voltage relay
- Transformers
- Handles

To place an order for replacement parts, please call  
1-800-356-1243.

## Cross-reference

Table 7. Cross-Reference

Description	Feed	Type	Vista Style/Catalog Number
<b>Three-Pole Yoke Assembly</b>			
800A	Bottom and top	QA and CBC	<b>S10035</b>
1200 and 2000A	Bottom and top	QA and CBC	<b>S10036</b>
2500A	Bottom and top	QA and CBC	<b>S10037</b>
3000 and 4000A	Bottom and top	QA and CBC	<b>S10038</b>
5000 and 6000A	Bottom and top	QA and CBC	<b>S10039</b>
<b>Arc Chute Assembly</b>			
Single-Pole	Bottom and top	QA and CBC	<b>S10075</b>
<b>Arcing Parts</b>			
800A, 480V	Top	QA and CBC	<b>S10048</b>
1200A, 480V	Top	QA and CBC	<b>S10049</b>
1600A, 480V	Top	QA and CBC	<b>S10050</b>
2000A, 480V	Top	QA and CBC	<b>S10051</b>
2500A, 480V	Top	QA and CBC	<b>S10052</b>
3000–6000A, 480V	Top	QA and CBC	<b>S10053</b>
800A, 600V	Top	QA and CBC	<b>S10054</b>
1200A, 600V	Top	QA and CBC	<b>S10055</b>
1600A, 600V	Top	QA and CBC	<b>S10056</b>
2000 and 2500A, 600V	Top	QA and CBC	<b>S10057</b>
3000–6000A, 600V	Top	QA and CBC	<b>S10058</b>
<b>Auxiliary Contact</b>			
Replacement auxiliary contact switch (std. 5 and 7)	Bottom and top	QA and CBC	<b>6533</b>
#5 Auxiliary contact kit (1NO/1NC)	Bottom and top	QA and CBC	<b>S0005</b>
#7 Auxiliary contact kit (2NO/2NC)	Bottom and top	QA and CBC	<b>S0007</b>
<b>Blown Fuse Detection</b>			
Bussmann blown fuse actuator #KAZ	Bottom and top	QA and CBC	<b>6585</b>
Blown fuse kit	Bottom and top	QA and CBC	<b>S0001</b>
<b>Capacitor</b>			
ITI CTD-2 capacitor	Bottom and top	QA and CBC	<b>6415</b>
<b>Clamping Mechanism</b>			
800A, 480V	Top	QA and CBC	<b>S10040</b>
1200A, 480V	Top	QA and CBC	<b>S10041</b>
1600A, 480V	Top	QA and CBC	<b>S10042</b>
2000A, 480V	Top	QA and CBC	<b>S10043</b>
2500A, 480V	Top	QA and CBC	<b>S10044</b>
3000A, 480V	Top	QA and CBC	<b>S10045</b>
4000A, 480V	Top	QA and CBC	<b>S10046</b>
5000A, 480V	Top	QA and CBC	<b>S10047</b>
<b>Coil Assembly/Solenoid Assembly</b>			
120V solenoid sub-assembly	Bottom and top	QA and CBC	<b>S12013</b>
120V coil only	Bottom and top	QA and CBC	<b>6524</b>
110 Vdc coil only	Bottom and top	QA and CBC	<b>6528</b>

**Table 7. Cross-Reference, Continued**

Description	Feed	Type	Vista Style/Catalog Number
<b>Deadfront/Operating Mechanism</b>			
800–2000A	Bottom and top	CBC	<b>P50014</b>
2500A	Bottom and top	CBC	<b>P50015</b>
3000 and 4000A	Bottom and top	CBC	<b>P50016</b>
800–2000A (with key interlock provisions)	Bottom and top	CBC	<b>P51080</b>
2500A (with key interlock provisions)	Bottom and top	CBC	<b>P51081</b>
3000–4000A (with key interlock provisions)	Bottom and top	CBC	<b>P51082</b>
5000 and 6000A (with key interlock provisions)	Bottom and top	CBC	<b>S10062</b>
5000 and 6000A (QA CBC D/F)	Bottom and top	CBC	<b>S10068</b>
800A	Bottom and top	QA	<b>S10064</b>
1200 and 2000A	Bottom and top	QA	<b>S10065</b>
2500A	Bottom and top	QA	<b>S10066</b>
3000 and 4000A	Bottom and top	QA	<b>S10067</b>
5000 and 6000A (service D/F)	Bottom and top	QA	<b>S20501</b>
800–2000A, special	Bottom and top	QA	<b>S10069</b>
2500A, special	Bottom and top	QA	<b>S10070</b>
3000–4000A, special	Bottom and top	QA	<b>S10071</b>
3000 and 4000A (with key interlock provisions)	Bottom and top	QA	<b>S10079</b>
<b>Ground Fault Relay</b>			
BGFL-159-1200 ITI ground fault relay	Bottom and top	QA and CBC	<b>4276</b>
<b>K Interlock Kit</b>			
800–4000A	Bottom and top	QA	<b>S1805R</b>
800–4000A	Bottom and top	CBC	<b>S1806R</b>
<b>Switch</b>			
Replacement limit switch	Bottom and top	QA and CBC	<b>6534</b>
MT 4RV A 28 micro switch	Bottom and top	QA and CBC	<b>6536</b>
<b>Pan Assembly—SPVR Relay and CPT—480 Vac</b>			
800–2000A	Bottom	CBC	<b>P55325</b>
2500A	Bottom	CBC	<b>P55326</b>
3000–4000A	Bottom	CBC	<b>P55327</b>
800–2000A	Top	CBC	<b>P51724</b>
2500A	Top	CBC	<b>P55421</b>
3000–4000A	Top	CBC	<b>P51726</b>
<b>Pan Assembly—GF and SPVR Relay and CPT—480 Vac</b>			
800–2000A	Top	CBC	<b>P55422</b>
2500A	Top	CBC	<b>P55423</b>
3000–4000A	Top	CBC	<b>P55424</b>
800–2000A	Bottom	CBC	<b>P51750</b>
2500A	Bottom	CBC	<b>P55437</b>
3000–4000A	Bottom	CBC	<b>P55425</b>
<b>Pan Assembly—GF and CPT—480 Vac</b>			
800–2000A	Top	CBC	<b>P55502</b>
2500A	Top	CBC	<b>P55503</b>
3000–4000A	Top	CBC	<b>P55504</b>
800–2000A	Bottom	CBC	<b>P55508</b>
2500A	Bottom	CBC	<b>P55509</b>
3000–4000A	Bottom	CBC	<b>P55510</b>

**Table 7. Cross-Reference, Continued**

Description	Feed	Type	Vista Style/Catalog Number
<b>Pan Assembly—GF and CPT—208 Vac</b>			
800–2000A	Top	CBC	<b>P55505</b>
2500A	Top	CBC	<b>P55506</b>
3000–4000A	Top	CBC	<b>P55507</b>
800–2000A	Bottom	CBC	<b>P55511</b>
2500A	Bottom	CBC	<b>P55512</b>
3000–4000A	Bottom	CBC	<b>P55513</b>
<b>Pole Assembly</b>			
800A, 480V	Top	QA and CBC	<b>S10005</b>
1200A, 480V	Top	QA and CBC	<b>S10006</b>
1600A, 480V	Top	QA and CBC	<b>S10007</b>
2000A, 480V	Top	QA and CBC	<b>S10008</b>
2500A, 480V	Top	QA and CBC	<b>S10009</b>
3000A, 480V	Top	QA and CBC	<b>S10010</b>
4000A, 480V	Top	QA and CBC	<b>S10011</b>
5000A, 480V	Top	QA and CBC	<b>S10012</b>
800A, 480V	Bottom	QA and CBC	<b>S10013</b>
1200A, 480V	Bottom	QA and CBC	<b>S10014</b>
1600A, 480V	Bottom	QA and CBC	<b>S10015</b>
2000A, 480V	Bottom	QA and CBC	<b>S10016</b>
2500A, 480V	Bottom	QA and CBC	<b>S10017</b>
3000A, 480V	Bottom	QA and CBC	<b>S10018</b>
4000A, 480V	Bottom	QA and CBC	<b>S10019</b>
5000A, 480V	Bottom	QA and CBC	<b>S10020R</b>
800A, 600V	Bottom	QA and CBC	<b>S10021</b>
1200A, 600V	Bottom	QA and CBC	<b>S10022</b>
1600A, 600V	Bottom	QA and CBC	<b>S10023</b>
2000A, 600V	Bottom	QA and CBC	<b>S10024</b>
2500A, 600V	Bottom	QA and CBC	<b>S10025</b>
3000A, 600V	Bottom	QA and CBC	<b>S10026</b>
4000A, 600V	Bottom	QA and CBC	<b>S10027</b>
800A, 600V	Top	QA and CBC	<b>S10028</b>
1200A, 600V	Top	QA and CBC	<b>S10029</b>
1600A, 600V	Top	QA and CBC	<b>S10030R</b>
2000A, 600V	Top	QA and CBC	<b>S10031</b>
2500A, 600V	Top	QA and CBC	<b>S10032</b>
3000A, 600V	Top	QA and CBC	<b>S10033</b>
4000A, 600V	Top	QA and CBC	<b>S10034</b>
<b>Sensor</b>			
800–2000A (8.0 x 18.0)	Bottom and top	CBC	<b>4296</b>
2500A (8.0 x 24.0)	Bottom and top	CBC	<b>4297</b>
3000 and 4000A (8.0 x 36.0)	Bottom and top	CBC	<b>4298</b>
800–2000A, split core (8.0 x 18.0)	Bottom and top	CBC	<b>4296SC</b>
2500A, split core (8.0 x 24.0)	Bottom and top	CBC	<b>4297SC</b>
3000–4000A, split core (8.0 x 36.0)	Bottom and top	CBC	<b>4298SC</b>

Table 7. Cross-Reference, Continued

Description	Feed	Type	Vista Style/Catalog Number
<b>Barriers</b>			
800A	Top	QA	<b>S5008</b>
1200–2000A	Top	QA	<b>S5016</b>
2500A	Top	QA	<b>S5025</b>
3000–4000A	Top	QA	<b>S5040</b>
800A	Bottom	QA	<b>S5208</b>
1200–2000A	Bottom	QA	<b>S5216</b>
2500A	Bottom	QA	<b>S5225</b>
3000A	Bottom	QA	<b>S5230</b>
4000A	Bottom	QA	<b>S5240</b>
800–2000A	Top	CBC and special	<b>S5416</b>
2500A	Top	CBC and special	<b>S5425</b>
3000–4000A	Top	CBC and special	<b>S5440</b>
800–2000A	Bottom	CBC and special	<b>S5616</b>
2500A	Bottom	CBC and special	<b>S5625</b>
3000A	Bottom	CBC and special	<b>S5630</b>
4000A	Bottom	CBC and special	<b>S5640</b>
<b>SPVR—Single-Phase Voltage Relay Kit</b>			
480V (includes relay and support)	Bottom and top	QA and CBC	<b>7137R</b>
208V (includes relay and support)	Bottom and top	QA and CBC	<b>7139R</b>
<b>TB Pole Assembly</b>			
4000A, PMS (N/F)	Bottom and top	QA and CBC	<b>S10063</b>
<b>Transformers</b>			
480V	Bottom and top	QA and CBC	<b>4270</b>
208V	Bottom and top	QA and CBC	<b>4272</b>
<b>Handles</b>			
800A	Bottom and top	QA	<b>2450</b>
800A, with provision for 6-foot 6-inch handle	Bottom and top	QA	<b>2452</b>
800–2500A, ECOTE	Bottom and top	QA ①	<b>2477</b>
800–2500A, ECOTE, with provision for 6-foot 6-inch handle	Top	QA ①	<b>2521R</b>
800–2500A, ECOTE, with provision for 6-foot 6-inch handle	Bottom	QA ①	<b>2522R</b>
1200–2500A	Bottom and top	QA	<b>2476</b>
1200–2500A, with provision for 6-foot 6-inch handle	Top	QA	<b>2442</b>
1200–2500A, with provision for 6-foot 6-inch handle	Bottom	QA	<b>2443</b>
3000–4000A, ECOTE, with provision for 6-foot 6-inch handle	Top	QA ①	<b>2524R</b>
3000–4000A, ECOTE, with provision for 6-foot 6-inch handle	Bottom	QA ①	<b>2525R</b>
3000–4000A	Bottom and top	QA	<b>2491</b>
3000–4000A	Bottom and top	QA ①	<b>2492</b>
3000–4000A, with provision for 6-foot 6-inch handle	Top	QA	<b>2446</b>
3000–4000A, with provision for 6-foot 6-inch handle	Bottom	QA	<b>2447</b>

① Special.

Table 7. Cross-Reference, Continued

Description	Feed	Type	Vista Style/Catalog Number
<b>Handles, Continued</b>			
5000–6000A	Bottom and top	QA and CBC	<b>2515R</b>
800–2500A	Top	CBC	<b>2463</b>
800–2500A	Bottom	CBC	<b>2467</b>
800–2500A, ECOTE	Top	CBC ①	<b>2464</b>
800–2500A, ECOTE	Bottom	CBC ①	<b>2468</b>
800–2500A, with provision for 6-foot 6-inch handle	Top	CBC	<b>2444</b>
800–2500A, with provision for 6-foot 6-inch handle	Bottom	CBC	<b>2453</b>
800–2500A, ECOTE, with provision for 6-foot 6-inch handle	Top	CBC ①	<b>2523</b>
800–2500A, ECOTE, with provision for 6-foot 6-inch handle	Bottom	CBC ①	<b>2527</b>
3000–4000A	Top	CBC	<b>2498</b>
3000–4000A	Bottom	CBC	<b>2502R</b>
3000–4000A, ECOTE	Top	CBC ①	<b>2499</b>
3000–4000A, ECOTE	Bottom	CBC ①	<b>2503R</b>
3000–4000A, with provision for 6-foot 6-inch handle	Top	CBC	<b>2448</b>
3000–4000A, ECOTE, with provision for 6-foot 6-inch handle	Bottom	CBC	<b>2454</b>
3000–4000A, ECOTE, with provision for 6-foot 6-inch handle	Top	CBC ①	<b>2526</b>
3000–4000A, ECOTE, with provision for 6-foot 6-inch handle	Bottom	CBC ①	<b>2528R</b>
800A	—	PMS	<b>2461</b>
1200–2500A	—	PMS	<b>2485</b>
3000–4000A	—	PMS	<b>2512R</b>
<b>Other</b>			
Panel spacer, 1200–4000A	Bottom and top	QA and CBC	<b>0911</b>
Trim plate, 800–4000A	Bottom and top	QA	<b>3035</b>
Trim plate, 800–4000A	Bottom and top	CBC	<b>3036</b>

① Special.

**Eaton Corporation**  
Electrical Sector  
1111 Superior Avenue  
Cleveland, OH 44114 USA  
Eaton.com

© 2012 Eaton Corporation  
All Rights Reserved  
Printed in USA  
Publication No. TD00808001E / Z12960  
November 2012



Eaton is a registered trademark  
of Eaton Corporation.

All other trademarks are property  
of their respective owners.