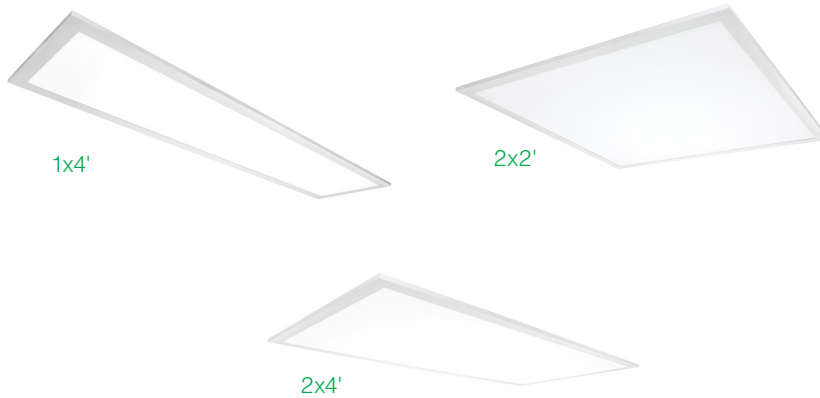


LED FLAT PANELS

MLFP CCT SELECTABLE SERIES



PRODUCT DESCRIPTION:

A seamless replacement for 1'x4', 2'x2' and 2'x4' fluorescent fixtures, MaxLite's next-generation LED Flat Panels with field selectable CCT technology are designed to lay in drop ceilings in offices, schools, and healthcare applications. The panels produce highly efficient, uniform illumination in any setting, and with the flick of a switch, installers can choose from 3500K, 4000K and 5000K color temperatures to suit various application needs. The panels are fully dimmable, and may be combined with motion sensors for further energy savings.

MaxLite panels deliver all the benefits of LED technology, including a long life with high lumen maintenance, reduced energy consumption and lower maintenance costs.



FEATURES:

- 0-10V dimmable
- 120-277 Voltage
- Power Factor: 0.9
- On EM mode, the fixture output a minimum of 700 lumens for 90 minutes, when fully charged
- On EM mode, CCT will default to 5000K

WARRANTY:

10-year standard warranty with labor allowance* (see terms at www.maxlite.com/warranties)

*Warranty Limitations: Product must be rated for application per the Product Data Sheet (PDS); operated ≤16 hrs; in ambient temperatures -4°F to 77°F.

*Up to \$25/unit; registration required. Additional coverage may be available for purchase; contact MaxLite.

*Excludes EM/MS versions; component warranty applies.

*If ambient temperatures fall outside the -4°F to 77°F range, product is warranted for 5 years according to the operating temperature range specified on the PDS.

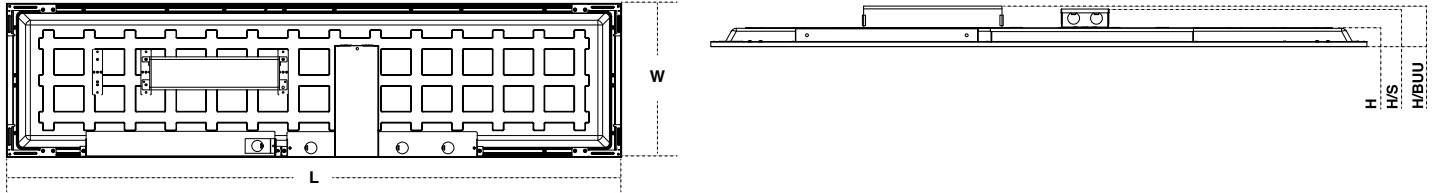
ORDER STRUCTURE

| FAMILY | SIZE | WATTAGE | CCT | BATTERY BACKUP | MOTION SENSOR |
|----------------------|-------------|-------------------------------|--|-------------------------|--------------------------------------|
| MLFP= LED Flat Panel | 14BL= 1'x4' | 30= 30W | CS= CCT Selectable (3500K, 4000K, 5000K) 40= 4000K ¹ | BLANK= None | BLANK= None MS= Motion Sensor |
| | 22BL= 2'x2' | 18= 18W 30= 30W 45= 45W | | EM= Battery Backup Unit | |
| | 24BL= 2'x4' | 28= 28W 40= 40W 55= 55W | | | |

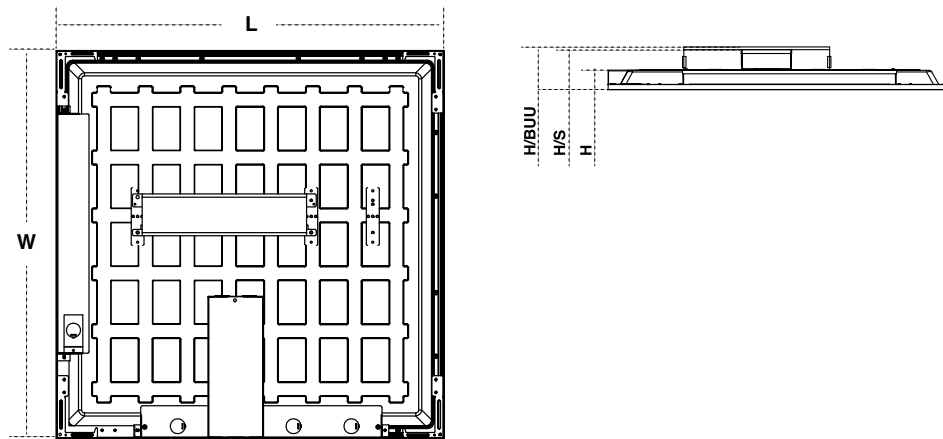
¹ Only 2x2 30W and 2x4 40W are in 4000K

DIMENSIONS:

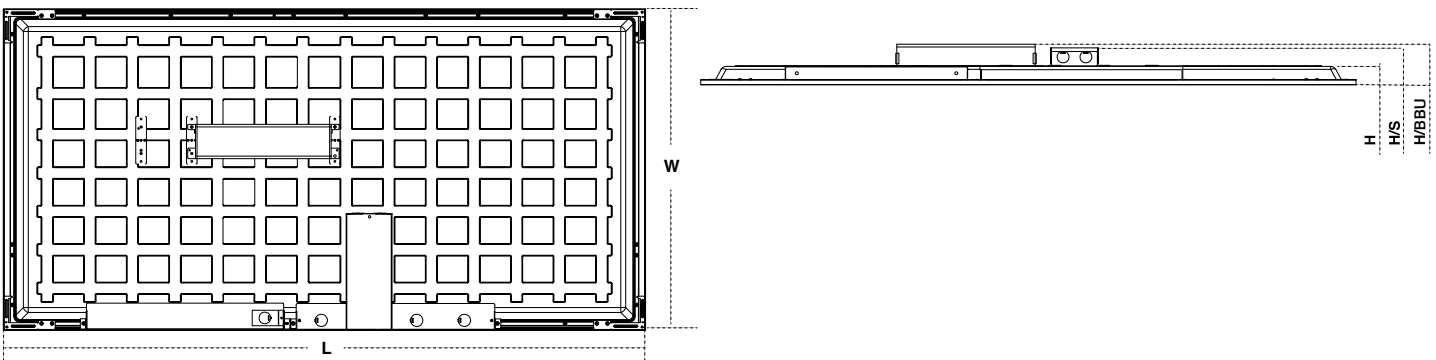
1'x4':



2'x2':



2'x4':



| PRODUCT SIZE | L | W | H | H/S | H/BBU |
|--------------|-------|-------|------|------|-------|
| 1x4 | 47.7" | 11.9" | 1.4" | 2.7" | 2.9" |
| 2x2 | 23.8" | 23.8" | 1.4" | 2.7" | 2.9" |
| 2x4 | 47.7" | 23.7" | 1.4" | 2.7" | 2.9" |

| KEY | DESCRIPTION |
|-------|----------------------------|
| H | Standard product |
| H/S | Product with sensor |
| H/BBU | Product with Emergency BBU |


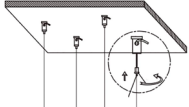

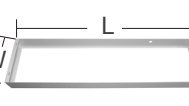
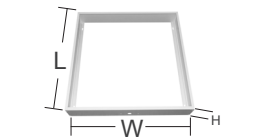

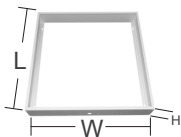
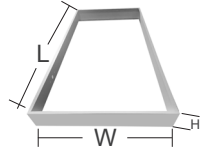

STOCKED ITEMS

| SIZE | MODEL NUMBER | ORDER CODE | DLC PRODUCT ID | WATTAGE | CCT |
|-------|--------------|------------|----------------|---------|--|
| 1'x4' | MLFP14BL30CS | 14102120 | PBMEU2G1 | 30W | CCT selectable (3500K/4000K/5000K) Default at 4000K |
| 2'x2' | MLFP22BL18CS | 14102121 | PBNKV051 | 18W | CCT selectable (3500K/4000K/5000K) Default at 4000K |
| | MLFP22BL3040 | 103777 | PG0KPNW8 | 30W | 4000K |
| | MLFP22BL30CS | 14102122 | PR0LFSDL | 30W | CCT selectable (3500K/4000K/5000K) Default at 4000K |
| | MLFP22BL45CS | 14102123 | P27ZDULY | 45W | CCT selectable (3500K/4000K/5000K) Default at 4000K |
| 2'x4' | MLFP24BL28CS | 14102124 | PX69671W | 28W | CCT selectable (3500K/4000K/5000K) Default at 4000K |
| | MLFP24BL4040 | 103778 | P6BRDUT1 | 40W | 4000K |
| | MLFP24BL40CS | 14102125 | P93HF9GH | 40W | CCT selectable (3500K/4000K/5000K) Default at 4000K |
| | MLFP24BL55CS | 14102126 | PPJMKSK5 | 55W | CCT selectable (3500K/4000K/5000K) Default at 4000K |

SPECIFICATIONS

| | | MLFP14 BL30CS | MLFP22 BL18CS | MLFP22 BL30CS | MLFP22 BL45CS | MLFP24 BL28CS | MLFP24 BL40CS | MLFP24 BL55CS | MLFP22 BL3040 | MLFP24 BL4040 |
|----------------------------|--------------------------------|------------------------------------|------------------|------------------|------------------|------------------|------------------|------------------|------------------|------------------|
| ITEM | SPECIFICATION | DETAILS | | | | | | | | |
| GENERAL PERFORMANCE | Fixture Size | 1'x4' | 2'x2' | 2'x2' | 2'x2' | 2'x4' | 2'x4' | 2'x4' | 2'x2' | 2'x4' |
| | Power Consumption (W) | 30W | 18W | 30W | 45W | 28W | 40W | 55W | 30W | 40W |
| | Lumens Delivered (lm) | 3,397 lm | 2,095 lm | 3,383 lm | 5,075 lm | 3,185 lm | 4,506 lm | 6,112 lm | 3,300 lm | 4,450 lm |
| | Efficacy | 110 lm/W | | | | | | | | |
| | CRI | ≥80 | | | | | | | | |
| | Color Temperature (K) | CCT Selectable (3500K,4000K,5000K) | | | | | | | 4000K | |
| | L70 Lumen Maintenance* (hours) | >100,000 Hrs. | | | | | | | | |
| | Operating Humidity | 20-85% RH, non-condensing | | | | | | | | |
| ELECTRICAL | Power Factor | ≥0.9 | | | | | | | | |
| | Input Voltage | 120-277V | | | | | | | | |
| | Dimming | Dimmable (0-10V) | | | | | | | | |
| | Max. Ambient Temperature | -4°F - 104°F | | | | | | | | |
| QUALIFICATION | Certification | cETLus - Damp Locations, FCC | | | | | | | | |
| | Warranty | 10 year warranty* | | | | | | | | |
| | DesignLights Consortium | DLC Standard | | | | | | | | |

ACCESSORIES (SOLD SEPARATELY)

| MODEL NUMBER | ORDER CODE | DESCRIPTION | APPLICATION | ACCESSORY IMAGE |
|----------------------------|------------|---|---|---|
| MLFPPK1X4-215 | 99968 | 1'x4' Flat Panel Flange Kit | All Wattages |  |
| MLFPPK2X2-215 | 99969 | 2'x2' Flat Panel Flange Kit | |  |
| MLFPPK2X4-215 | 99970 | 2'x4' Flat Panel Flange Kit | |  |
| MLCHK2X2-215 | 102258 | Cable Hanging Kit for 2x2 Edge Lit Flat Panel & Back Lit Flat Panel (4 Wires) | |  |
| MLCHK2X4-215 | 102259 | Cable Hanging Kit for 2x4 Edge Lit Flat Panel & Back Lit Flat Panel (6 Wires) | |  |
| ML14BLSMK-215 ¹ | 104120 | 1X4 Back Lit Surface Mount Kit - Not Compatible with EM Models (47.99" L X 11.96" W X 2.4" H) | |  |
| ML22BLSMK-215 ¹ | 104121 | 2X2 Back Lit Surface Mount Kit - Not Compatible with EM Models (24.21" L X 24.06" W X 2.4" H) | |  |
| ML24BLSMK-215 ¹ | 104123 | 2X4 Back Lit Surface Mount Kit - Not Compatible with EM Models (47.99" L X 23.81" W X 2.4" H) |  | |
| RMHYTHRC-05 | 108133 | Remote Control Programming HC403VRC/HC419VRC | |  |

1. Surface mount kits are not compatible with MS or EM models.