

# Bussed Gutters - For TB/MTB Units

400 - 800 Amp



R1123HCC (closed)



R1123HCC (open)



## Application

- Used as a distribution point for multiple load applications under a common feed
- Surface mount

## Construction

- NEMA Type 3R
- ANSI 61 gray E-coat finish
- Aluminum bussing

## Standards

- UL 1773 Listed

Bussed Gutters & Termination Cabinets

Part/UPC Number	Catalog Number	Buss Amps	Service Type	Positions	Connections			Overall Dimensions			Knockout Layout
					Line	Load	Neutral	Height	Width	Depth	
78205157083	R1122 HC	400	1Ø/3W	2	#4 - 600 MCM	#6 - 600 MCM	#4 - 600 MCM	13"	28 <sup>3</sup> / <sub>8</sub> "	6"	Fig. 1
78205157087	R1123 HC	400	1Ø/3W	3	#4 - 600 MCM	#6 - 600 MCM	#4 - 600 MCM	13"	42 <sup>3</sup> / <sub>4</sub> "	6"	Fig. 2
78205157089	R1123 HD	600	1Ø/3W	3	(2) #4 - 600 MCM	#6 - 600 MCM	(2) #4 - 600 MCM	22"	42 <sup>3</sup> / <sub>4</sub> "	6"	Fig. 2
78205157091	R1124 HD	600	1Ø/3W	4	(2) #4 - 600 MCM	#6 - 600 MCM	(2) #4 - 600 MCM	22"	57"	6"	Fig. 3
78205157107	R1125 HD	600	1Ø/3W	5	(2) #4 - 600 MCM	#6 - 600 MCM	(2) #4 - 600 MCM	22"	71 <sup>1</sup> / <sub>4</sub> "	6"	Fig. 4
78205157111	R1126 HD	600	1Ø/3W	6	(2) #4 - 600 MCM	#6 - 600 MCM	(2) #4 - 600 MCM	22"	85 <sup>5</sup> / <sub>8</sub> "	6"	Fig. 5
78205157093	R1124 HE	800	1Ø/3W	4	(3) #4 - 600 MCM	#6 - 600 MCM	(3) #4 - 600 MCM	22"	57"	6"	Fig. 3
78205157109	R1125 HE	800	1Ø/3W	5	(3) #4 - 600 MCM	#6 - 600 MCM	(3) #4 - 600 MCM	22"	71 <sup>1</sup> / <sub>4</sub> "	6"	Fig. 4
78205157113	R1126 HE	800	1Ø/3W	6	(3) #4 - 600 MCM	#6 - 600 MCM	(3) #4 - 600 MCM	22"	85 <sup>5</sup> / <sub>8</sub> "	6"	Fig. 5
78205157097	R1122 HCC	400	3Ø/4W	2	#4 - 600 MCM	#6 - 600 MCM	#4 - 600 MCM	22"	28 <sup>3</sup> / <sub>8</sub> "	6"	Fig. 1
78205157099	R1123 HCC	400	3Ø/4W	3	#4 - 600 MCM	#6 - 600 MCM	#4 - 600 MCM	22"	42 <sup>3</sup> / <sub>4</sub> "	6"	Fig. 2
78205157101	R1123 HDD	600	3Ø/4W	3	(2) #4 - 600 MCM	#6 - 600 MCM	(2) #4 - 600 MCM	22"	42 <sup>3</sup> / <sub>4</sub> "	6"	Fig. 2
78205157103	R1124 HDD	600	3Ø/4W	4	(2) #4 - 600 MCM	#6 - 600 MCM	(2) #4 - 600 MCM	22"	57"	6"	Fig. 3
78205157115	R1125 HDD	600	3Ø/4W	5	(2) #4 - 600 MCM	#6 - 600 MCM	(2) #4 - 600 MCM	22"	71 <sup>1</sup> / <sub>4</sub> "	6"	Fig. 4
78205157119	R1126 HDD	600	3Ø/4W	6	(2) #4 - 600 MCM	#6 - 600 MCM	(2) #4 - 600 MCM	22"	85 <sup>5</sup> / <sub>8</sub> "	6"	Fig. 5
78205157103	R1124 HEE	800	3Ø/4W	4	(3) #4 - 600 MCM	#6 - 600 MCM	(3) #4 - 600 MCM	28 <sup>1</sup> / <sub>2</sub> "	57"	6"	Fig. 3
78205157117	R1125 HEE	800	3Ø/4W	5	(3) #4 - 600 MCM	#6 - 600 MCM	(3) #4 - 600 MCM	28 <sup>1</sup> / <sub>2</sub> "	71 <sup>1</sup> / <sub>4</sub> "	6"	Fig. 4
78205157121	R1126 HEE	800	3Ø/4W	6	(3) #4 - 600 MCM	#6 - 600 MCM	(3) #4 - 600 MCM	28 <sup>1</sup> / <sub>2</sub> "	85 <sup>5</sup> / <sub>8</sub> "	6"	Fig. 5

### Notes:

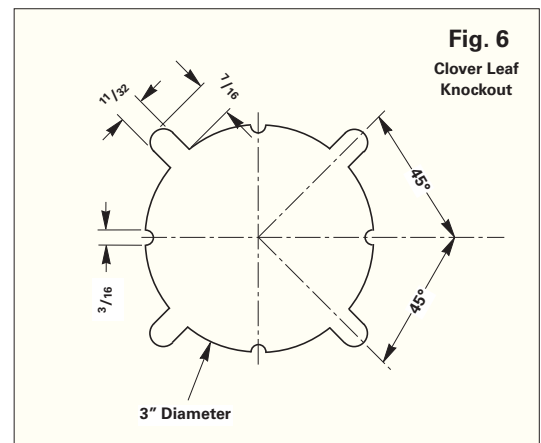
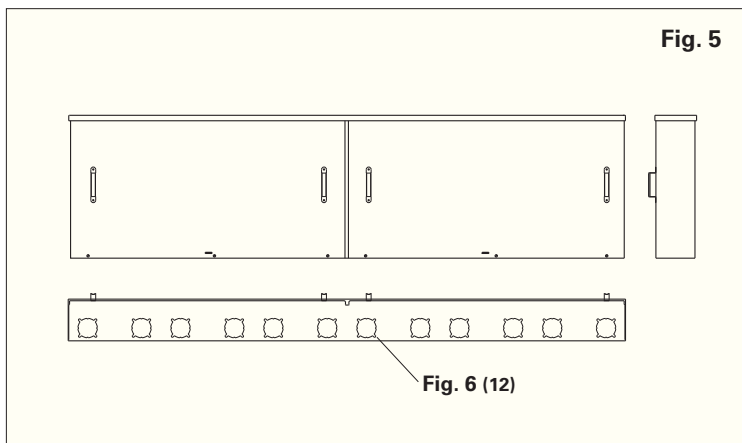
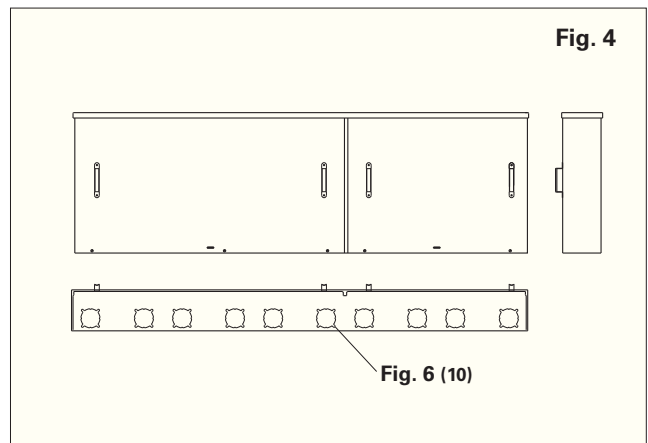
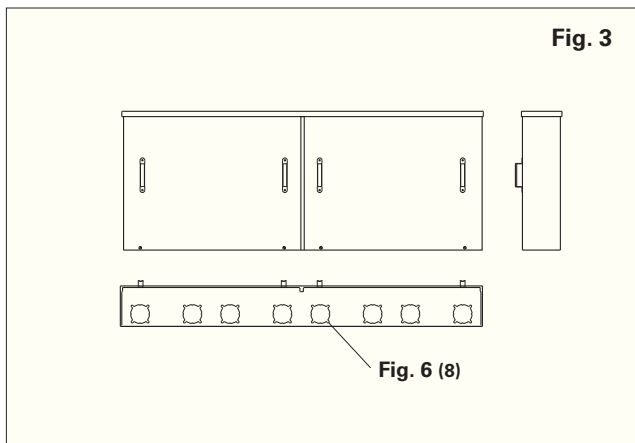
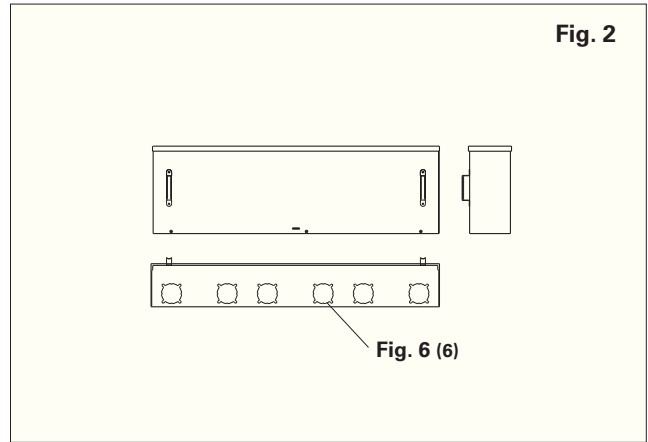
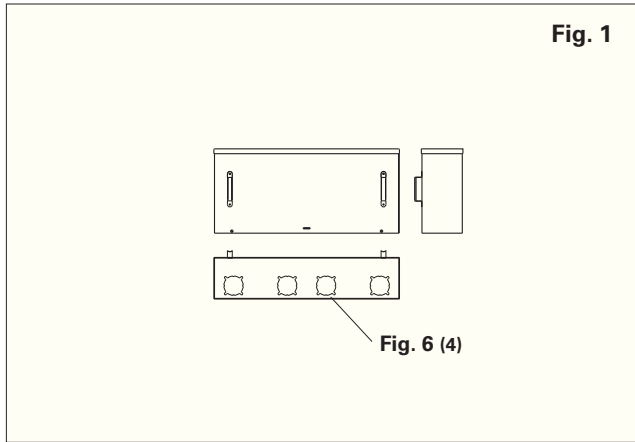
- All TB/MTB bussed gutters are rated at 10K AIC.
- All units have (1) #6 -250 MCM ground lug secured to the neutral.
- Every 600 MCM lug barrel will accept (2) 1/0 - 250 MCM cables.

# Bussed Gutters - For TB/MTB Units

400 - 800 Amps

Style #	Suffixes
R1122	<b>SS</b> - Stainless Steel
R1123	<b>/CU</b> - Copper Buss
R1124	
R1125	
R1126	

## Knockout Layouts



Bussed Gutters & Termination Cabinets

Data subject to change without notice. Consult local utility for area acceptance. All dimensions are in inches.