

Applications:

LNR conduit liners are installed in rigid metal conduit or IMC:

- To provide a smooth wire entry from conduit into enclosures to protect wires from abrasion as they are pulled
- With thin wall or thick wall enclosures
- Entering drilled and tapped openings or slip holes
- Entering an enclosure vertically or horizontally
- Regardless of where the conduit ends in relation to the enclosure wall

Features:

- UL Listed and CSA certified
- No need for threaded bushings, reducers or special machining
- Corrosion- and heat-resistant polypropylene material
- Smooth flange provides easy wire pulling and protects conductors being installed
- Space saving
- Molded ribs ensure a tight fit, preventing the liner from sliding out while conductors are being pulled
- Quick and easy to install

Certifications and compliances:

- NEC Article 346-8
- CSA standard: C22.2 No. 18
- U.S. Patent No. 5,383,688

Standard material:

- Polypropylene

Standard finish:

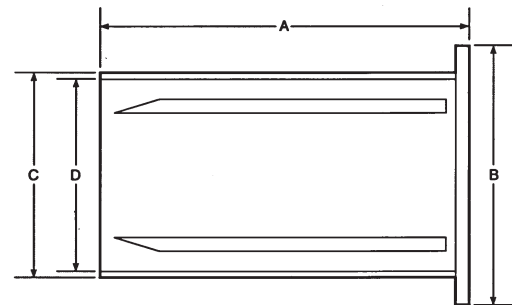
- Natural (clear)



Ordering information:

Size	Cat. #
1/2"	LNR1
3/4"	LNR2
1"	LNR3
1 1/4"	LNR4
1 1/2"	LNR5
2"	LNR6
2 1/2"	LNR7
3"	LNR8
3 1/2"	LNR9
4"	LNR10

Dimensions (in inches):



Size	A	B	C	D
1/2"	1 3/16	7/8	5/8	9/16
3/4"	1 9/16	1 1/8	13/16	3/4
1"	2 1/16	1 3/8	1 1/16	7/8
1 1/4"	2 1/16	1 3/4	1 3/8	1 1/4
1 1/2"	2 9/16	2	1 5/8	1 1/16
2"	2 9/16	2 1/16	2 1/16	1 1/8
2 1/2"	2 7/8	2 1/16	2 1/4	2 17/64
3"	2 7/8	3 1/16	3 1/16	2 1/8
3 1/2"	3 1/16	4 1/16	3 9/16	3 3/8
4"	3 1/16	4 9/16	4	3 3/8