

Features

- Quarter-turn ceramic disc valves exceed industry longevity standards, ensuring durable performance for life.
- 11.0 to 12.0 gpm (gallons per minute) high-flow rate is ideal for multiple outlet installations or rapid bath filling.
- For use with finished deck-mount or rim-mount installation only.
- For use with K-T387, K-T428, KT10292, K-T10592, or K-T16236 bath valve trim, and K-923 laminar bath filler (sold separately).

Material

- Brass valve bodies.

Recommended Products/Accessories

K-923 Wall- Or -Ceiling-Mount Bath Filler



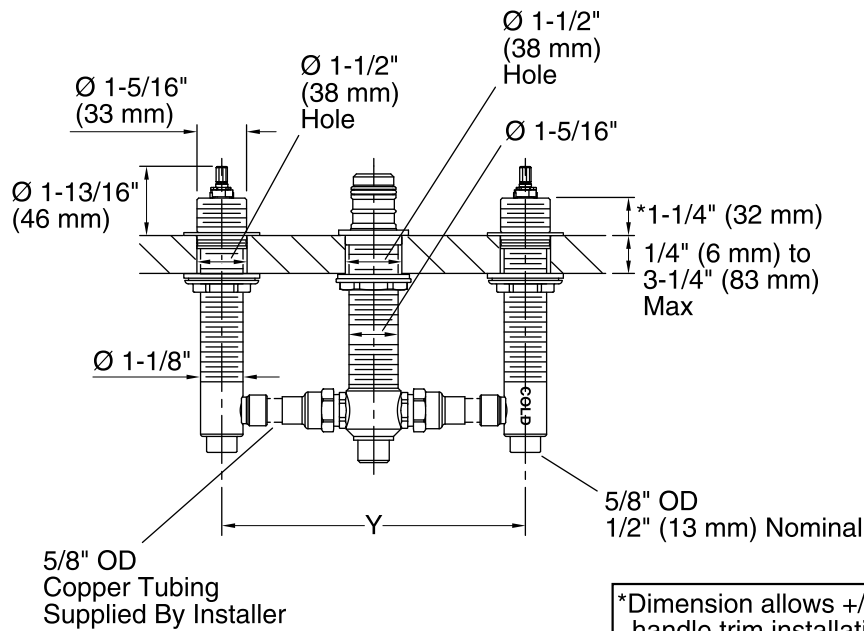
Codes/Standards

ASME A112.18.1/CSA B125.1

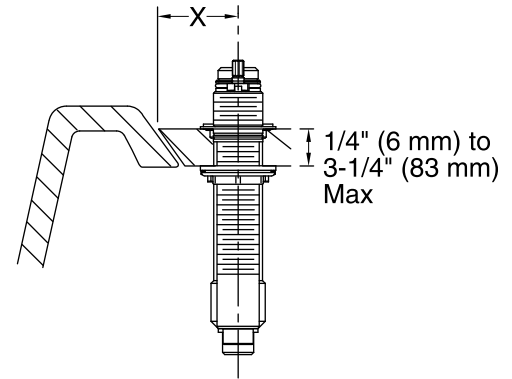
KOHLER® Faucet Lifetime Limited Warranty

See website for detailed warranty information.

Finished Deck-Mount Installation



Finished Rim-Mount Installation



*Dimension allows $\pm 1/4''$ (6 mm) handle adjustment during handle trim installation.

X = Distance from centerline of spout inlet to front of spout base plus $1/2''$ (13 mm).

Y = Distance between valve body centerlines vary. Minimum distance is $8''$ (203 mm).

Technical Information

All product dimensions are nominal.