

### Features

- High-flow valve ensures optimal water flow performance.
- Quarter-turn ceramic disc valves exceed industry longevity standards, ensuring durable performance for life.
- 15.0 to 17.0 gpm (gallons per minute) flow rate.
- For use with bath- or deck-mount faucets.
- Requires valve trim (sold separately).

### Material

- Brass valve bodies.



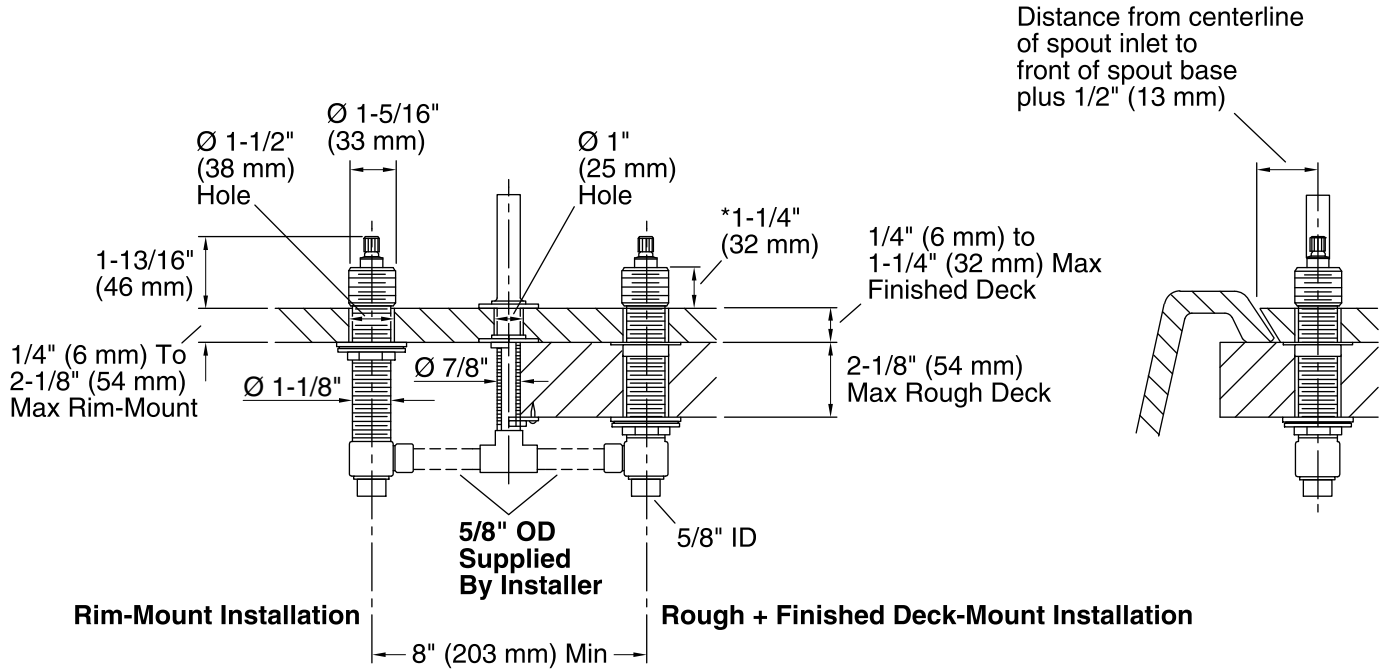
### Codes/Standards

ASME A112.18.1/CSA B125.1

### KOHLER® Faucet Lifetime Limited Warranty

See website for detailed warranty information.

\*Dimension allows  $\pm 1/4"$  (6 mm) handle adjustment during handle trim installation.



### Technical Information

All product dimensions are nominal.