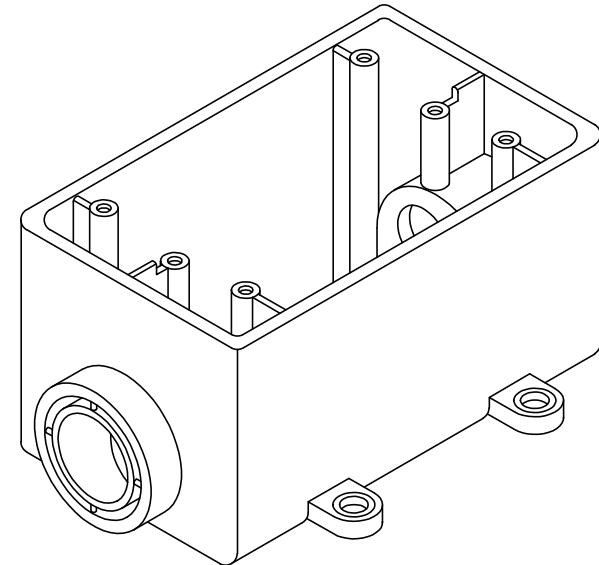
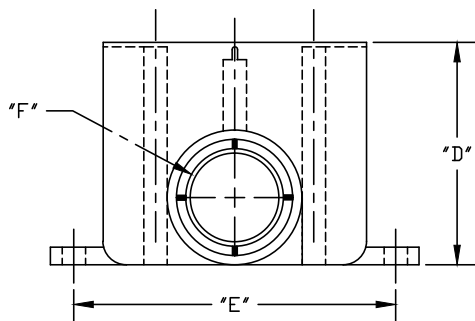
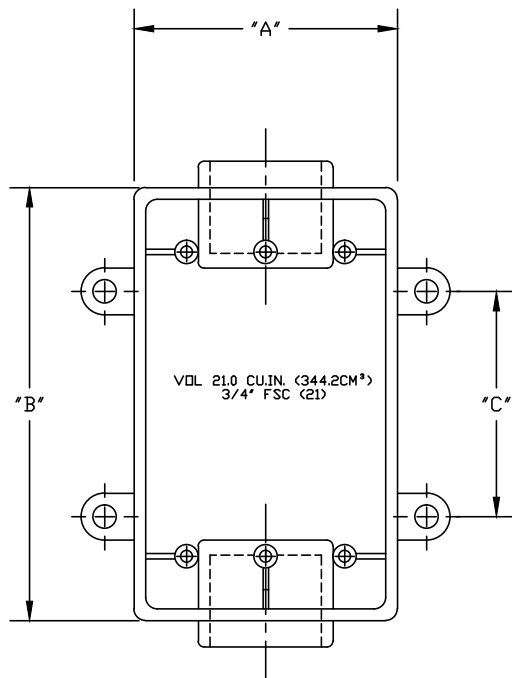


PART NUMBER	SIZE	"A"	"B"	"C"	"D"	"E"	"F"
5133463	1/2	2 13/16"	4 9/16"	2 5/8"	2.375"	3 1/2"	7/8"
5133464	3/4	2 13/16"	4 9/16"	2 5/8"	2.375"	3 1/2"	1 1/16"
5133465	1	2 13/16"	4 9/16"	2 5/8"	2.375"	3 1/2"	1 5/16"



UL Listed  
 UL File # E98429  
 UL Category Code QCMZ & QCXJ  
 UL Control Number 39N9  
 Material Is Rigid PVC  
 Marine Listed w/Approved Cover



**CANTEX**  
 INC.  
 Fort Worth, TEXAS

Type FSC  
 Exposed Boxes

Drawn By: D. Gwinn

Date:12/18/18

Ref. 5133463