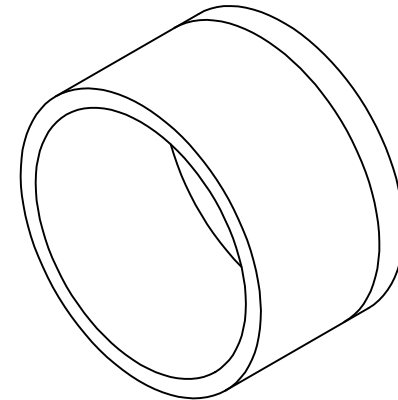
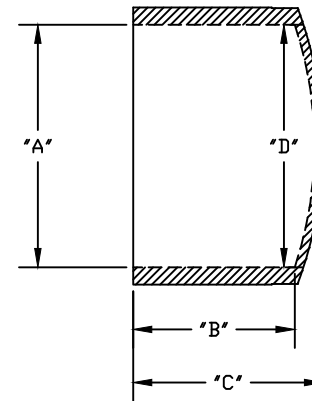
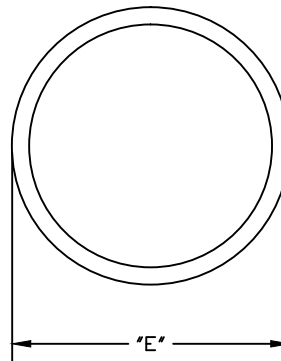


PART NUMBER	SIZE	"A"	"B"	"C"	"D"	"E"
5140031	1/2"	7/8"	7/8"	1"	13/16"	1"
5140032	3/4"	1 1/16"	1 1/16"	1 1/4"	1 1/16"	1 5/16"
5140033	1"	1 3/8"	1 1/4"	1 1/2"	1 5/16"	1 11/16"
5140034	1 1/4"	1 11/16"	1 5/16"	1 1/2"	1 5/8"	2"
5140035	1 1/2"	1 15/16"	1 9/16"	1 5/8"	1 7/8"	2 1/4"
5140037	2"	2 3/8"	1 5/8"	1 3/4"	2 3/8"	2 3/4"
5140038	2 1/2"	2 7/8"	2"	2 1/8"	2 7/8"	3 7/16"
5140039	3"	3 9/16"	2 3/8"	2 1/4"	3 1/2"	4"
5140036	3 1/2"	4"	2 5/16"	2 3/8"	4"	4 5/8"
5140040	4"	4 1/2"	2 3/8"	2 5/8"	4 1/2"	5"
5140041	5"	5 9/16"	2 1/2"	2 1/2"	5 9/16"	6 1/8"
5140042	6"	6 5/8"	3"	3 3/8"	6 5/8"	7 1/4"



1/2" through 4" have dome top
5" and 6" have flat top

UL Listed
UL File # E81590
UL Category Code DWTT
UL Control Number 93G7
Material is Rigid PVC
Meets NEMA TC3 Requirements



CANTEX
INC.
Fort Worth, TEXAS

Caps
Schedule 40 & 80 Special Fittings

Drawn By: O.M.

Date: 5/15/17

Ref. 5140031