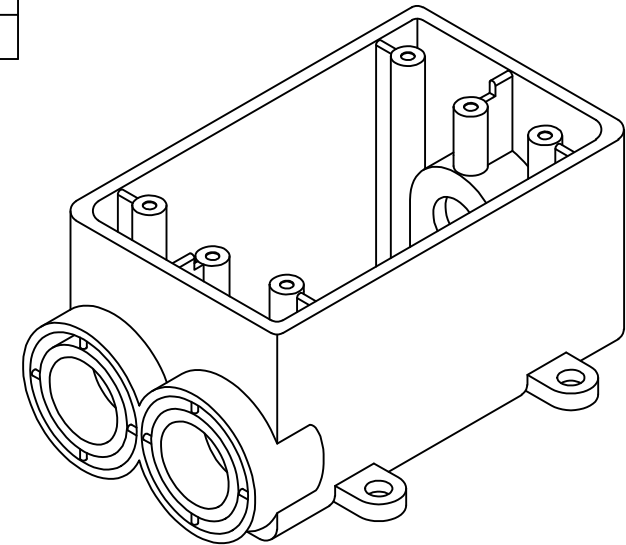
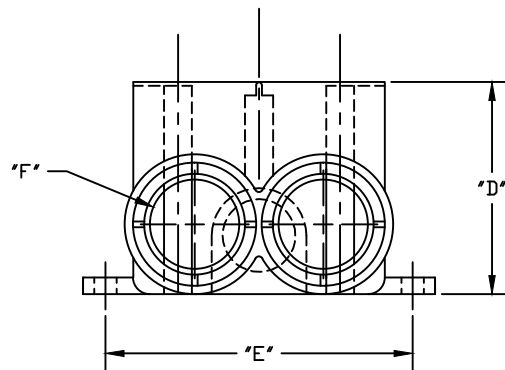
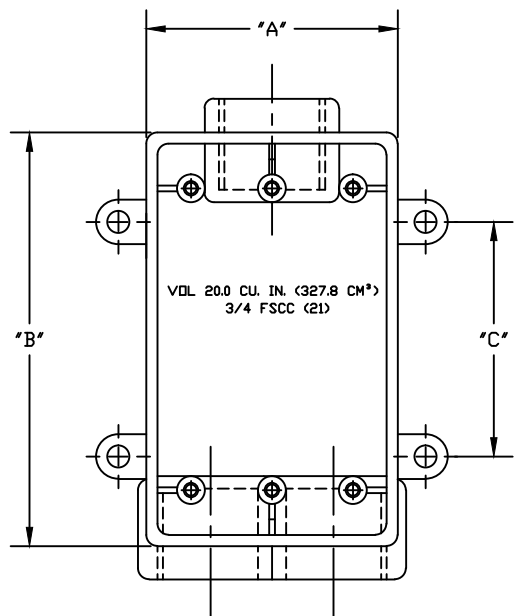


PART NUMBER	SIZE	"A"	"B"	"C"	"D"	"E"	"F"
5133544	1/2	2 13/16"	4 5/8"	2 5/8"	2 3/8"	3 7/16"	7/8"
5133545	3/4	2 13/16"	4 5/8"	2 5/8"	2 3/8"	3 7/16"	1 1/16"
5133546	1	2 13/16"	4 5/8"	2 5/8"	2 3/8"	3 7/16"	1 5/16"



UL Listed  
 UL File # E98429  
 UL Category Code QCXJ  
 UL Control Number 39N9  
 Material Is Rigid PVC



**CANTEX**  
 INC.  
 Fort Worth, TEXAS

Type FSCC  
 Exposed Boxes

Drawn By: O.M.

Date: 5/15/17

Ref. 5133544