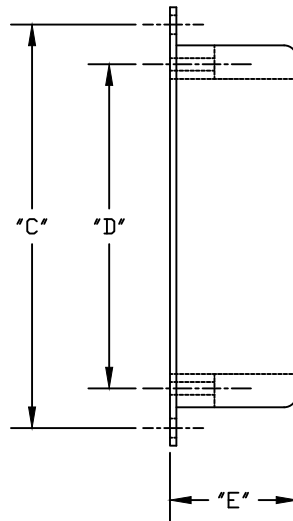
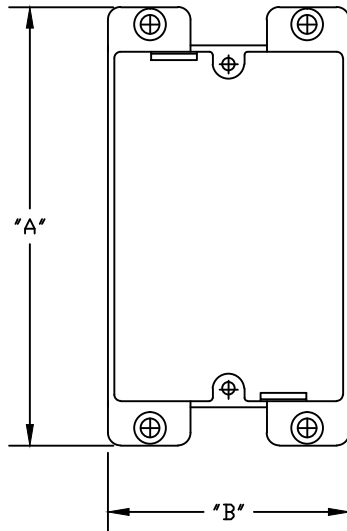
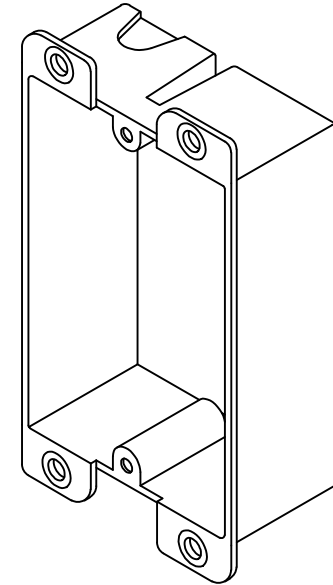


PART NUMBER	SIZE	"A"	"B"	"C"	"D"	"E"
EZ08SF	8 Cubic Inch 2 $\frac{3}{8}$ " x 3 $\frac{1}{2}$ " x 1 $\frac{1}{4}$ "	4 $\frac{1}{4}$ "	2 $\frac{3}{8}$ "	3 $\frac{7}{8}$ "	3 $\frac{1}{4}$ "	1 $\frac{1}{4}$ "



ETL Listed
 Conforms to UL Std. 514C
 2-HR Fire Wall Rating
 ETL Control # 3107144
 Material is rigid PVC



CANTEX INC. Fort Worth, TEXAS		
Shallow EZ Old Work Box Flanged		
Drawn By: D. Gwinn	Date: 3/20/18	Ref.