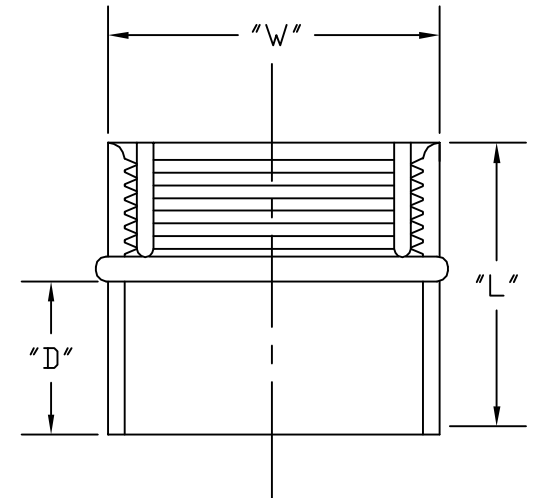
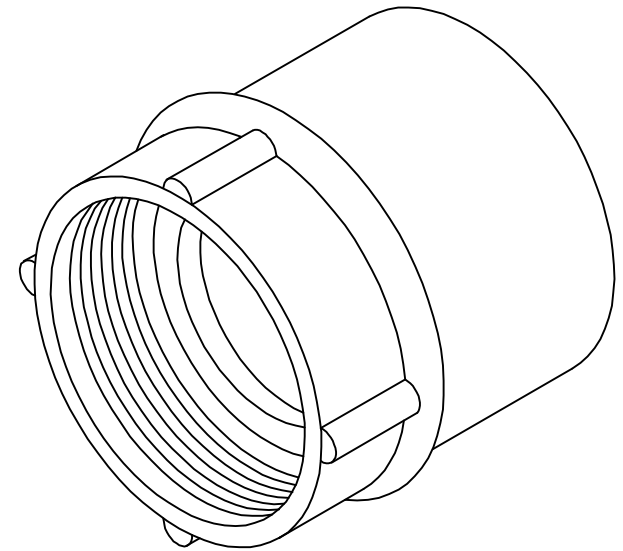


PART NUMBER	TRADE SIZE	"W"	"L"	"ID"
5140043	1/2	1"	1 7/16"	1 1/16"
5140044	3/4	1 1/4"	1 5/8"	1 1/16"
5140045	1	1 9/16"	1 7/8"	7/8"
5140046	1 1/4	2"	1 15/16"	15/16"
5140047	1 1/2	2 1/4"	2 1/8"	15/16"
5140048	2	2 1 1/16"	2 1/8"	15/16"
5140049	2 1/2	3 5/16"	3"	1 5/16"
5140050	3	4"	3 1/16"	1 1/4"
5140051	3 1/2	4 1/2"	3"	1 3/16"
5140052	4	5"	3 1/4"	1 3/8"
5140053	5	6 1/8"	3 1 1/16"	1 5/16"
5140054	6	7 1/4"	4 3/8"	1 5/8"
*5140055D	8	9 5/16"	7"	2 1/4"



UL Listed UL 651
 UL File # E81590
 UL Category Code DWTT
 UL Control Number 93G7
 Meets NEMA TC3 Requirements
 CSA Certified
 See NEC Article 352 for use
 Material is Rigid PVC
 * 8 inch not UL Listed



CANTEX

INC.
Fort Worth, TEXAS

**Female Adapters
Schedule 40 & 80 Fittings**

Drawn By: CD Branch

Date:09/25/07

Ref.