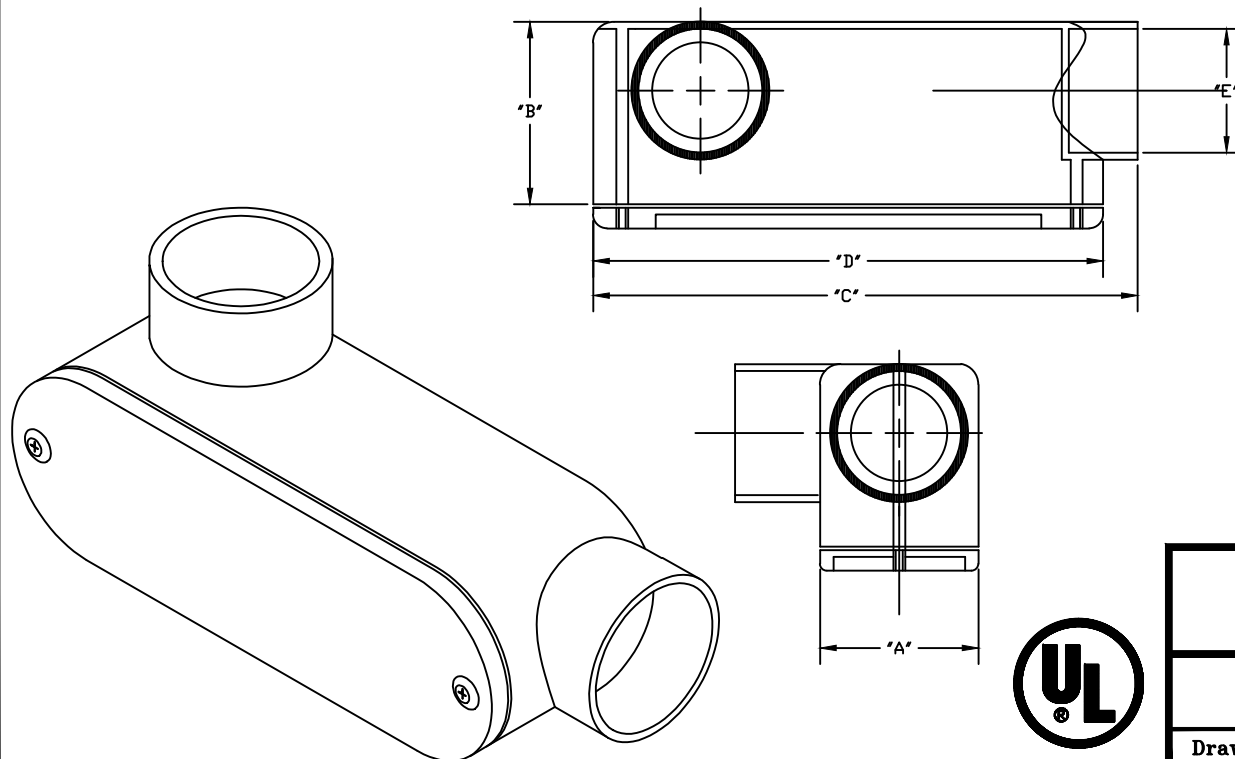


PART NUMBER	SIZE	"A"	"B"	"C"	"D"	"E"	Volume cu. in.	3-wire Fill
5133660	1/2	1 5/16"	1 7/16"	4 1/4"	4"	7/8"	4.3	#6 or smaller
5133661	3/4	1 1/2"	1 5/8"	4 15/16"	4 5/8"	1 1/16"	6.5	#6 or smaller
5133662	1	1 3/4"	2"	6"	5 3/8"	1 5/16"	11.8	#6 or smaller
5133649	1-1/4	2 7/16"	2 7/16"	7 5/8"	7 3/16"	1 5/8"	25	XHHW #1
5133648	1-1/2	2 5/8"	2 13/16"	8 9/16"	8"	1 15/16"	36.5	XHHW #2/0
5133647	2	3 1/16"	3 7/16"	9 7/8"	9 1/2"	2 3/8"	63.5	XHHW #4/0
5133644	2-1/2	4 5/8"	4 5/8"	1' 2 15/16"	1' 3/4"	2 7/8"	198	XHHW 500 MCM
5133646	3	4 5/8"	4 5/8"	1' 3"	1' 13/16"	3 1/2"	198	XHHW 500 MCM
5133640	3-1/2	5 5/8"	5 1/2"	1' 4 3/16"	1' 13/16"	4"	305	XHHW 500 MCM
5133645	4	5 5/8"	5 1/2"	1' 3 15/16"	1' 13/16"	4 1/2"	305	XHHW 500 MCM

Sizes 2 1/2" through 4" have straight (90 deg.) edges/angles
Dimensions are nominal



UL Listed
UL File # E98429
UL Category Code QCMZ
UL Control Number 39N9
Material is Rigid PVC
Gasket is Neoprene
Zinc plated steel screws
See NEC Article 314 for use

CANTEX
INC.
Fort Worth, TEXAS

Type LL
Conduit Bodies

Drawn By: CD Branch

Date:09/25/07

Ref.

