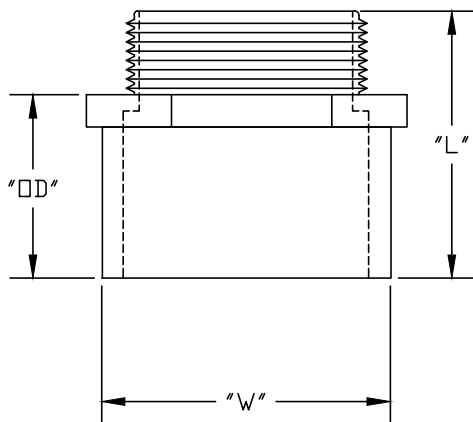
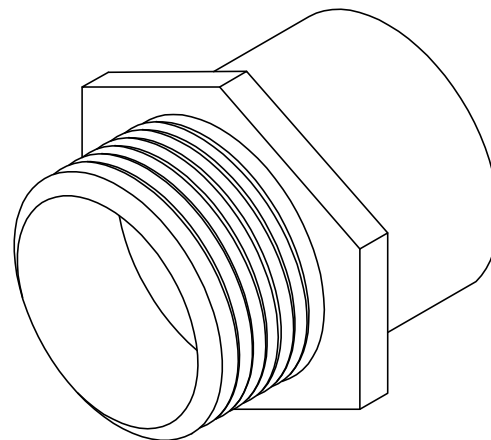


PART NUMBER	TRADE SIZE	"L"	"W"	"OD"
5140105	1	2 $\frac{3}{16}$ "	1 $\frac{5}{8}$ "	1 $\frac{1}{2}$ "
5140106	1 1/4	2 $\frac{1}{8}$ "	2"	1 $\frac{5}{16}$ "
5140107	1 1/2	2 $\frac{1}{16}$ "	2"	1 $\frac{5}{16}$ "



UL Listed UL651
 UL File # E81590
 UL Category Code DWTT
 UL Control Number 93G7
 Meets NEMA TC3 Requirements
 CSA Certified
 See NEC Article 352 for use
 Material is Rigid PVC



CANTEX
INC.
Fort Worth, TEXAS

**Terminal Adapters 1" Thru 1-1/2"
Schedule 40 & 80 Fittings**

Drawn By: D. Gwinn

Date:12/19/18

Ref. 5140105