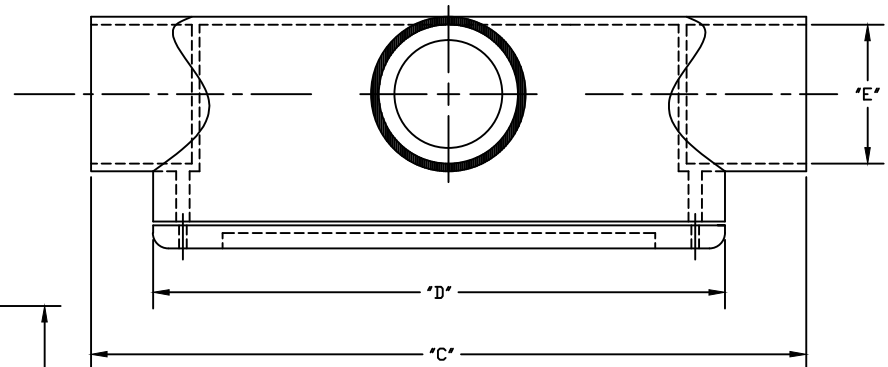
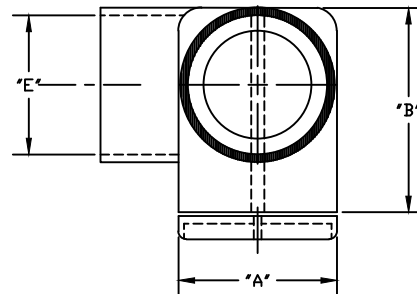
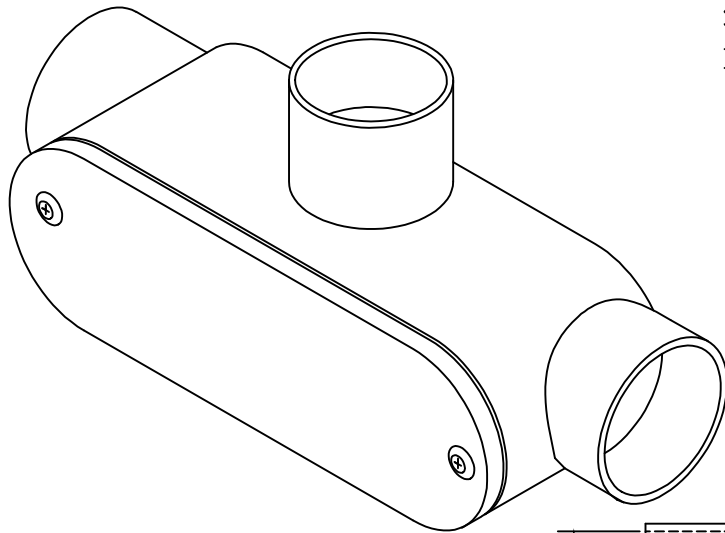


PART NUMBER	SIZE	"A"	"B"	"C"	"D"	"E"	Volume Cu. In.	Maximum 3-Wire Fill
5133563	1/2	1 5/16"	1 1/2"	4 5/8"	4"	7/8"	4.3	#6 or Smaller
5133564	3/4	1 1/2"	1 11/16"	5 3/8"	4 5/8"	1 1/16"	6.5	#6 or Smaller
5133565	1	1 3/4"	2"	6 9/16"	5 3/8"	1 5/16"	11.8	#6 or Smaller
5133566	1-1/4	2 1/2"	2 1/2"	8 3/16"	7 3/16"	1 11/16"	25	XHHW #1 or Smaller
5133567	1-1/2	2 5/8"	2 13/16"	9 1/4"	8"	1 15/16"	36.5	XHHW #2/0 or Smaller
5133568	2	3 1/8"	3 3/8"	10 3/8"	9 1/2"	2 3/8"	63.5	XHHW #4/0 or Smaller
5133569	2-1/2	4 5/8"	4 5/8"	1' 7"	1' 7/8"	3 1/2"	198	XHHW 500 MCM or Smaller
5133570	3	4 5/8"	4 5/8"	1' 7"	1' 7/8"	3 1/2"	198	XHHW 500 MCM or Smaller
5133572	3-1/2	5 9/16"	5 9/16"	1' 8 3/8"	1' 1 3/4"	4"	305	XHHW 500 MCM or Smaller
5133571	4	5 9/16"	5 9/16"	1' 8 3/16"	1' 1 7/8"	4 1/2"	305	XHHW 500 MCM or Smaller

Sizes 2 1/2" through 4" have straight (90 deg.) edges/angles  
Dimensions are nominal



UL Listed  
UL File # E98429  
UL Category Code QCMZ  
UL Control Number 39N9  
Material Rigid PVC  
Gasket Closed Cell Neoprene  
Screws Zinc Plated Steel



<b>CANTEX</b> INC. Fort Worth, TEXAS		
Type T Conduit Bodies		
Drawn By: O.M.	Date: 5/12/17	Ref. 5133563