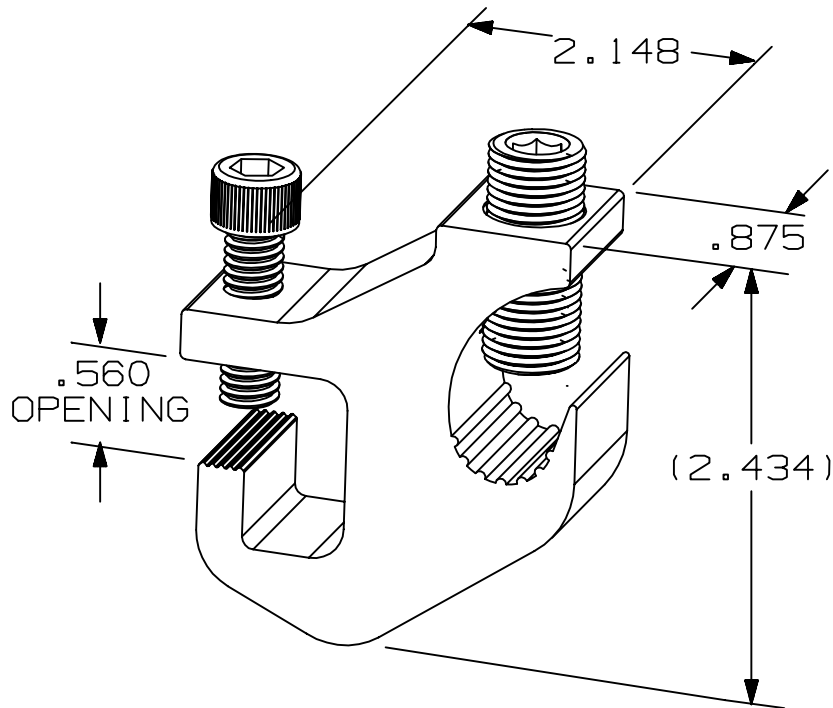


- > UL & CSA CLASSIFIED
- > ACCEPTS #6AWG TO 250MCM CABLES
- > FITS ALL STEEL AND ALUMINUM CABLE TRAY SERIES INCLUDING 57A AND S8A
- > TIN PLATED ALUMINUM

CLAMP SHOWN IN DIFFERENT MOUNTING CONFIGURATIONS ON STEEL AND ALUMINUM CABLE TRAY SIDERAILS



9A-2130 GROUNDING CLAMP

THIS DRAWING AND/OR THE TECHNICAL INFORMATION CONTAINED HEREON IS THE PROPERTY OF COOPER B-LINE, INC. ("B-LINE"), AND IS ISSUED IN CONFIDENCE FOR B-LINE ENGINEERING PURPOSES ONLY AND MAY NOT BE REPRODUCED OR USED FOR ANY PURPOSE WHATSOEVER WITHOUT THE EXPRESS WRITTEN PERMISSION OF B-LINE TO THE USER. THIS DRAWING AND/OR TECHNICAL INFORMATION IS THE PROPERTY OF B-LINE AND IS LOANED FOR MUTUAL ASSISTANCE. TO BE RETURNED WHEN ITS INTENDED PURPOSE HAS BEEN SERVED.



TITLE: <b>9A-2130 GROUNDING CLAMP FOR STEEL AND ALUMINUM CABLE TRAYS</b>	REFERENCE DWG. NO(S): <input checked="" type="checkbox"/>	
	00011018_S	
	DRAWN BY: DWK	REV: C-
	DATE: 05/15/01	
THIS DRAWING AND THE MATERIAL CONTAINED HEREIN IS NOT TO BE USED AS AN ENGINEERING DRAWING UNLESS CERTIFIED BELOW: EQUIPMENT FURNISHED HAS BEEN FABRICATED IN ACCORDANCE WITH THIS DRAWING.	MODEL SOURCE FILE(S): 00011018_M_D-	APPR:
DATE: _____ BY: _____		SHEET: _____ OF _____