

ProMax® POWER VENT

ENERGY SAVINGS

- Industry-leading energy efficient power vent, with a 0.70 EF
- ENERGY STAR® qualified models (except 60 and 75 gallon models)
- 2" CFC-free foam insulation to improve energy efficiency
- Built-in heat traps on the water inlet and outlet reduce the amount of heat lost through piping
- Exceeds NRCan energy efficiency standards

DESIGNED FOR PERFORMANCE

- Ideal as a replacement water heater in a variety of installation applications due to 3-position rotatable blower
- Convenient 3/4" side taps for combination applications on 50 USG high-input and 75 USG models
- Suitable for elevations up to 10,100 ft. (3,077 m)
- Available for both natural gas or propane
- PermaGlas® glass coating protects steel tank from corrosion and maximizes tank life

SAFETY FEATURES

- Sensor detects the presence of flammable vapours and automatically disables the unit, preventing their ignition
- Robust air intake snorkel inhibits flammable vapours from entering the combustion chamber

SERVICEABILITY

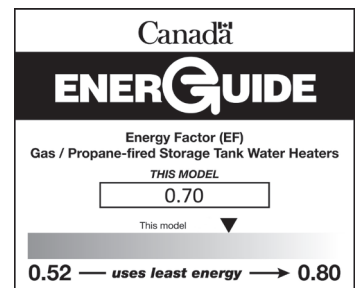
- State-of-the-art electronic gas control features advanced self-diagnostic capability that makes troubleshooting easy
- Conveniently located T&P and drain valve for ease of installation and serviceability

THE ULTIMATE IN VENTING FLEXIBILITY

- Can be vented with 2", 3" or 4" ULC S636 PVC, CPVC or polypropylene pipe
- Vertical or horizontal venting configurations

WARRANTY

- 8 year limited tank warranty
- 6 year limited parts warranty
- For complete information, consult the written warranty or A. O. Smith

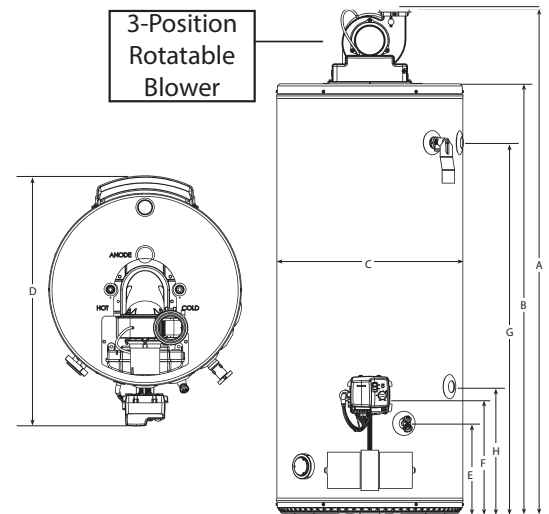


ProMax® POWER VENT

PERFORMANCE

MODEL	SERIES	CAPACITY	INPUT	MAXIMUM CERTIFIED ALTITUDE	RECOVERY RATE AT 90°F TEMPERATURE RISE	FIRST HOUR RATING	ENERGY FACTOR	BC COMPLIANT
		USG (L)	BTU/h	FT (M)	GPH (LPH)	GPH (LPH)		
NATURAL GAS								
GPVL 40	200/201	40 (151)	40,000	10,100 (3,077)	45 (170)	73 (276)	0.70	✓
GPVT 40	200/201	40 (151)	50,000	10,100 (3,077)	56 (212)	90 (341)	0.70	✓
GPVL 50	200/201	50 (189)	40,000	10,100 (3,077)	45 (170)	90 (341)	0.70	✓
GPVT 50	200/201	50 (189)	50,000	10,100 (3,077)	56 (212)	96 (363)	0.70	✓
GPVX 50L*	200/201	50 (189)	62,000	10,100 (3,077)	69 (261)	110 (416)	0.70	✓
GPVL 60	200/201	60 (227)	42,000	10,100 (3,077)	42 (159)	106 (401)	0.70	✓
GPVX 75L*	210/211	75 (284)	76,000	10,100 (3,077)	80 (303)	155 (587)	N/A	✓

Natural gas models are series 200/210. Propane models are series 201/211.

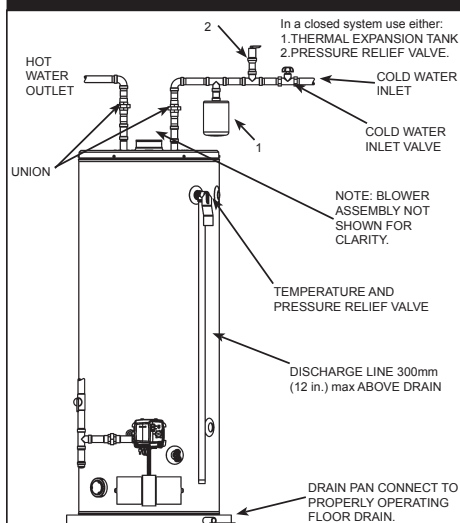


DIMENSIONS & SHIPPING WEIGHT

MODEL	INSTALLATION HEIGHT	HEIGHT TO TOP OF TANK	TANK DIAMETER	OVERALL DEPTH	HEIGHT TO DRAIN VALVE	HEIGHT TO GAS INLET	HEIGHT TO T&P	HEIGHT TO UPPER SIDE CONNECTION	HEIGHT TO LOWER SIDE CONNECTION	SHIPPING WEIGHT
	A IN (CM)	B IN (CM)	C IN (CM)	D IN (CM)	E IN (CM)	F IN (CM)	G IN (CM)	G IN (CM)	H IN (CM)	LB (KG)
NATURAL GAS										
GPVL 40	59 (150)	49 7/8 (126)	22 (56)	29 1/8 (74)	11 (28)	14 1/4 (36)	42 1/2 (108)	N/A	N/A	174 (79)
GPVT 40	68 1/2 (174)	59 1/4 (150)	20 (51)	27 1/8 (69)	11 (28)	14 1/4 (36)	53 1/8 (135)	N/A	N/A	176 (80)
GPVL 50	60 1/8 (153)	50 3/4 (129)	24 (61)	31 1/8 (79)	11 (28)	14 1/4 (36)	43 3/4 (111)	N/A	N/A	198 (90)
GPVT 50	68 1/8 (173)	58 3/4 (149)	22 (56)	29 1/8 (74)	11 (28)	14 1/4 (36)	51 3/4 (131)	N/A	N/A	192 (87)
GPVX 50L*	61 1/8 (155)	52 (132)	24 (61)	31 1/8 (79)	11 (28)	14 1/4 (36)	44 1/2 (113)	44 1/2 (113)	15 1/4 (39)	212 (96)
GPVL 60	67 1/4 (171)	57 7/8 (147)	24 (61)	31 1/8 (79)	11 (28)	14 1/4 (36)	50 3/8 (128)	N/A	N/A	216 (98)
GPVX 75L*	70 3/8 (179)	61 1/4 (156)	26 (66)	33 1/8 (84)	11 (28)	14 1/4 (36)	53 (135)	53 (135)	15 1/4 (39)	277 (126)

* Model has side connections

PREFERRED INSTALLATION



VENT PIPE LENGTHS

MODEL	VENT PIPE DIAMETER IN	MINIMUM NUMBER OF ELBOWS REQUIRED*	MAXIMUM VENT LENGTH WITH ONE 90° ELBOW FT (M)	MINIMUM VENT LENGTH WITH ONE 90° ELBOW FT (M)
GPVL 40	2	0	50 (15.2)	7 (2.1)
GPVT 40				
GPVL 50	3	0	125 (38.1)	50 (15.2)
GPVT 50				
GPVX 50L	4	0	180 (54.9)	125 (38.1)
GPVL 60	3	0	50 (15.2)	7 (2.1)
GPVX 75L				
	4	0	125 (38.1)	50 (15.2)

* Refer to installation manual for further details.

VENT KITS

DESCRIPTION	PART NUMBER
3" Vent Kit Includes coupling for blower outlet and termination screens	9008311005
4" Vent Termination Kit Includes termination screens	9008310015

For Technical Information call 888-599-2837. A. O. Smith Enterprises Ltd. reserves the right to make product changes or improvements without prior notice.