

Integrated Display Industrial Computers

Catalog Numbers 6181P, 6189V-6181TRAY, 6189V-6181SSD32GB, 6189V-6181SSD64GB, 6189V-6181SSD256GB, 6189V-BOOKBRKT, 6189V-DPDVI, 6189V-DPVGA, 6189V-PCIR, 6189V-EXTPCI2, 6189V-PSU6181AC, 6189V-PSU6181DC, 6189V-8GSODDR3, 6189V-16GSODDR3, 6189V-ODD, 6189V-ACCESSBOX6181



Important User Information

Read this document and the documents listed in the additional resources section about installation, configuration, and operation of this equipment before you install, configure, operate, or maintain this product. Users are required to familiarize themselves with installation and wiring instructions in addition to requirements of all applicable codes, laws, and standards.

Activities including installation, adjustments, putting into service, use, assembly, disassembly, and maintenance are required to be carried out by suitably trained personnel in accordance with applicable code of practice.

If this equipment is used in a manner not specified by the manufacturer, the protection provided by the equipment may be impaired.

In no event will Rockwell Automation, Inc. be responsible or liable for indirect or consequential damages resulting from the use or application of this equipment.

The examples and diagrams in this manual are included solely for illustrative purposes. Because of the many variables and requirements associated with any particular installation, Rockwell Automation, Inc. cannot assume responsibility or liability for actual use based on the examples and diagrams.

No patent liability is assumed by Rockwell Automation, Inc. with respect to use of information, circuits, equipment, or software described in this manual.

Reproduction of the contents of this manual, in whole or in part, without written permission of Rockwell Automation, Inc., is prohibited

Throughout this manual, when necessary, we use notes to make you aware of safety considerations.



WARNING: Identifies information about practices or circumstances that can cause an explosion in a hazardous environment, which may lead to personal injury or death, property damage, or economic loss.



ATTENTION: Identifies information about practices or circumstances that can lead to personal injury or death, property damage, or economic loss. Attentions help you identify a hazard, avoid a hazard, and recognize the consequence.

IMPORTANT Identifies information that is critical for successful application and understanding of the product.

Labels may also be on or inside the equipment to provide specific precautions.



SHOCK HAZARD: Labels may be on or inside the equipment, for example, a drive or motor, to alert people that dangerous voltage may be present.



BURN HAZARD: Labels may be on or inside the equipment, for example, a drive or motor, to alert people that surfaces may reach dangerous temperatures.



ARC FLASH HAZARD: Labels may be on or inside the equipment, for example, a motor control center, to alert people to potential Arc Flash. Arc Flash will cause severe injury or death. Wear proper Personal Protective Equipment (PPE). Follow ALL Regulatory requirements for safe work practices and for Personal Protective Equipment (PPE).

Preface	Preface Objectives	7
	Purpose of This Manual	7
	Additional Resources	7
	Abbreviations	8
	 Chapter 1	
Features	Chapter Objectives	9
	Computer Overview	9
	Operating Systems	10
	Computer Options	11
	Before You Begin	12
	Parts List	13
	Hardware Features	13
	External Components and I/O	13
	Internal Components	15
	System Features	16
	Multi-touch Touch Screens	16
	Status Indicators and UIB	17
	Hardware Monitor and Watchdog Timer Utilities	18
	Hardware Monitor	18
	Watchdog Timer	18
	Intel Active Management Technology (AMT) 9.0	18
	 Chapter 2	
Installation	Chapter Objectives	19
	Installation Precautions	20
	Environment and Enclosure Information	20
	European Union Directive	20
	Installation Guidelines	21
	Mounting Clearance Requirements	22
	Computer Dimensions	22
	Required Tools	26
	Install the Computer	26
	Panel Mounting Guidelines	26
	Panel Cutout Dimensions	27
	Mount the Display Computer in a Panel	28
	Mount the Non-display Computer	30
	Connect Peripherals	31
	Connect Power	32
	Connect AC Power	32
	Connect DC Power	33
	Functional Ground Screw	34
	AC Power Models	34
	DC Power Models	34
	Connect to a Network	35

Operation	Chapter 3	
	Chapter Objectives.....	37
	Operating Guidelines.....	37
	Touch Screen Precautions.....	38
	Start the Computer.....	38
	Restart the Computer	39
	Shut Down the Computer	39
	Adjust the Display Brightness	40
Component Replacement	Chapter 4	
	Chapter Objectives.....	41
	Replacement Parts.....	41
	Voltage Precautions	41
	Electrostatic Discharge Precautions	42
	Pre-configuration	42
	Post-configuration	43
	Required Tools	43
	Remove the Cover.....	43
	Reinstall the Cover.....	44
	CompactFlash Card	44
	Solid-state Drive	45
	Replace a SSD.....	46
	Replace or Add Memory Modules	47
	Memory Configuration Guidelines.....	47
	Replace or Add a Memory Module.....	48
	Replace the RTC Battery	49
	Replace the Power Supply Unit.....	51
	Replace the Optical Disk Drive.....	54
UEFI Set-up Utility	Chapter 5	
	Chapter Objectives.....	57
	Set-up Utility Overview.....	57
	Access the Set-up Utility.....	58
	Set-up Screen Overview.....	58
	Firmware Update	59
	Firmware Configuration.....	60
	Common Buttons at the Bottom of Screens.....	60
	Main	61
	Advanced.....	62
	Enable PXE Boot	62
	PCI Subsystem Settings	63
	ACPI Settings	64
	CPU Configuration.....	65
	SATA Configuration (AHCI mode)	66
	SATA Configuration (RAID mode)	67
	SATA Configuration (IDE mode)	68

USB Configuration	69
Power Configuration.....	70
Intel® Rapid Start Technology.....	71
Super I/O Configuration.....	72
Hardware Monitor.....	73
AMT Configuration	74
Chipset	75
User Interface Button (UIB).....	76
Watchdog Timer	77
Boot.....	78
Security.....	79
Save & Exit	80
Diagnostics	81
AMI Rescue	83
Make a Backup	85
Restore OS Image From a Hidden Partition	86
Restore OS Image From a USB Storage Drive.....	89
Hardware History.....	93
Exit	94

Chapter 6

System Troubleshooting

Chapter Objectives.....	95
Hardware Monitoring	95
Troubleshooting	96
Troubleshooting Checklists.....	97
Issues during Startup	97
Issues after Startup	97
Issues Running New Software	98
Issues with the Add-in Card.....	98
Issues with the Integrated Display	98
Issues with an External Display	99
Diagnostics	99
Load the System Defaults	100
Clear the UEFI	101
Ship or Transport the Computer	101
Dispose of the Computer	102

Chapter 7

Use a Touch Screen

Touch Screen Technology	103
Driver Software	103
PCAP Touch Screen Technology.....	103
Resistive Technology	104
Calibrate the Resistive Touch Screen.....	104

	Chapter 8	
Maintenance	Chapter Objectives	105
	Clean the Computer	105
	Clean the Integrated Display	105
	Clean the Fan (Intel Core i7 models).....	106
	Clean the Heat Sink and Vent Holes	106
	Remove Paint and Grease from Bezel	106
	Appendix A	
Specifications	107
	Appendix B	
Accessories Installation	Objectives	119
	Available Accessories	119
	Pre-installation Checklist	119
	Install an Add-in Card	120
	PCI/PCIe Riser Board Options.....	122
	Install More Memory	125
	Install the Bookshelf Mounting Bracket	125
	Install an Optical Disk Drive	126
Index	129

Preface Objectives

This preface covers the following topics:

- [Purpose of This Manual](#)
- [Additional Resources](#)
- [Abbreviations](#)

Purpose of This Manual

This manual is a user guide for integrated display industrial computers. It provides procedures to the following:

- Install the computer.
- Make computer connections.
- Operate the computer.
- Troubleshoot the computer.

Additional Resources

These documents contain more information to related products from Rockwell Automation.

Resource	Description
Industrial Integrated Display Computers Product Information, publication 6181P-PC001	Provides basic product information on the integrated display computers.
Industrial Automation Wiring and Grounding Guidelines, publication 1770-4.1	Provides general guidelines to install a Rockwell Automation® industrial system.

You can view or download publications at <http://www.rockwellautomation.com/literature>. To order paper copies of technical documentation, contact your local Allen-Bradley® distributor or Rockwell Automation sales representative.

Abbreviations

The following abbreviations are used in this publication.

Abbr	Meaning	Abbr	Meaning
ACPI	Advanced configuration (and) power interface	OSK	On screen keyboard
AHCI	Advanced host controller interface	PCAP	Protective capacitive (touch screen)
AMI	American Megatrends, Inc.	PCB	Printed circuit board
AMT	Active management technology	PCDC	Product Compatibility and Download Center
BIOS	Basic input/output system	PCH	Platform control hub
CF	CompactFlash	PCI	Peripheral component interconnect
CPU	Central processing unit	PCIe	Peripheral component interconnect express
CMOS	Complementary metal oxide semiconductor	PEG	PCI express graphics
COM	Communication (serial port interface)	PELV	Protective extra-low voltage
CRC	Cyclic redundancy clock	PERR	PCI parity error
DDR	Double data rate (RAM)	POST	Power on self test
DIMM	Dual in-line memory module	PSU	Power supply unit
DP	DisplayPort (digital display interface)	PXE	Pre-boot execution environment
DVI	Digital video interface	RAID	Redundant array (of) independent disks
DVMT	Dynamic video memory technology	RAM	Random access memory
ECC	Error correcting code	RIUP	Remove or insert under power
eDP	Embedded DisplayPort	RMS	Root-mean-square
EEA	European Environment Agency	RTC	Real-time clock
EMC	Electromagnetic compatibility	SAS	Serial attached SCSI
EOS	Embedded operating system	SATA	Serial advanced technology attachment
ESD	Electrostatic discharge	SCSI	Small computer system interface
EFW	Enhanced write filter	SELV	Safety extra-low voltage
FAT	File allocation table	SERR	PCI signal error
HORM	Hibernate once, resume many	SLC	Single-level cell
IDE	Integrated device electronics	SPD	Serial presence detect
IEC	International Engineering Consortium	SSD	Solid state drive
IGD	Intel graphics driver	TFT	Thin film transistor
KVM	Keyboard video mouse	UEFI	Universal extensible firmware interface
LAN	Local area network	USB	Universal serial bus
LVDS	Low-voltage differential signaling	UPS	Uninterruptible power source
MLC	Multi-level cell	VBAT	Voltage (battery)
NEMA	National Electrical Manufacturers Association	VDDR	Voltage (DDR RAM)
ODD	Optical disk drive	VGA	Video graphics array

Features

Chapter Objectives

This chapter provides information on the following topics:

- [Computer Overview](#)
- [Operating Systems](#)
- [Computer Options](#)
- [Before You Begin](#)
- [Parts List](#)
- [Hardware Features](#)

Computer Overview

The 6181P integrated display industrial computers provide you with a simplified, all-in-one touch screen and a CPU with the technology to support everything from traditional Microsoft and Linux operating systems to virtualized images. This platform was designed to complement the Intel fourth generation Core-i processors and bring technology such as USB 3.0, DisplayPort, and Intel Rapid Start capabilities to these computers.

6181P integrated display industrial computers answer the needs of the industries we serve by offering a variety of display sizes, models, and mounting methods. Display and non-display models are available, with display sizes offered in both standard (4:3 and 5:4) format and widescreen (16:9) format. 6181P stainless steel bezel display computers address NEMA 4X requirements and are a choice selection for food and beverage applications. Various mounting methods are possible with these computers in landscape and portrait orientations, as well as a space-saving ‘bookshelf’ mounting option on non-display versions.

The integrated display computers with an aluminum bezel provide several easy-to-use features for quicker decisions and action:

- Front status indicators - Provide a quick at-a-glance status about the personal computer hardware.
- Front lockable USB 3.0 port - Provides easy but controlled access to files, images, and system data.
- Front User Interface Button (UIB) - Provides one-touch UEFI (BIOS) access upon startup and is user-configurable for application flexibility.

The 6181P integrated display industrial computers offer a platform that is designed, built, and tested to withstand the wear and tear of everyday use in tough, industrial environments.

Operating Systems

The following Microsoft-licensed operating systems are available:

- Windows 7 Professional (64 bit), Service Pack 1
- Windows Server 2008 R2 Standard (64 bit), Service Pack 1
- Windows Embedded Standard (WES) 7 (64 bit), Service Pack 1

No operating system updates have been applied to the factory image beyond the above listed service packs.

To obtain a copy of a factory system image, contact your local technical support center or access the Rockwell Automation PCDC site:

<http://www.rockwellautomation.com/support/pcdc.page>.

Windows 7 Professional (32 bit), Service Pack 1 can also be downloaded from the Rockwell Automation PCDC site.

Computer Options

This table summarizes the options available for the integrated display industrial computers. A comparative summary of features for the computers is in Appendix A, [Specifications on page 107](#).

Table 1 - Computer Options

Cat. No. (6181P-)	Model	Level ⁽¹⁾	Series	Power	Display Size (in.)	Aspect Ratio	Touch Screen	Bezel	Storage	Windows OS			
00N2MW71AC	NDM	Performance	F	AC	N/A	N/A	N/A	None (non-display)	MLC SSD	7 Professional 64 bit SP1			
00N2MW71DC				DC									
00N2SW71AC				AC									
00N2SW71DC				DC									
00N2SE71AC				AC									
00N2SE71DC				DC									
00N3MW71AC		Advanced		AC					MLC SSD	7 Professional 64 bit SP1			
00N3MW71DC				DC									
00N3SW71AC				AC									
00N3SW71DC				DC									
00N3MS81AC				AC									
00N3MS81DC				DC									
00N3MS81DC			MLC SSD (2)	Server 2008 R2 64 bit SP 1									
12A2MW71AC	1200P	Performance	AC	12	4:3	Resistive	Aluminum	MLC SSD	7 Professional 64 bit SP1				
12A2MW71DC			DC										
12A2SW71AC			AC										
12A2SW71DC			DC										
12A2SE71AC			AC										
12A2SE71DC			DC										
12A2SE71DC				WES 7 64 bit SP1									
15A2MW71AC	1500P	Performance	AC	15	4:3	Resistive	Aluminum	MLC SSD	7 Professional 64 bit SP1				
15A2MW71DC			DC										
15A2SW71AC			AC										
15A2SW71DC			DC										
15A2SE71AC			AC										
15A2SE71DC			DC										
15C2MW71AC			Stainless steel					AC	MLC SSD	7 Professional 64 bit SP1			
15C2MW71DC								DC					
15C2SW71AC								AC					
15C2SW71DC								DC					
15A3MW71AC								Advanced			AC	MLC SSD	
15A3MW71DC											DC		
15A3SW71AC		AC											
15A3SW71DC		DC											
15B3MW71AC		Aluminum	AC	MLC SSD									
15B3MW71DC			DC										
15B3SW71AC			AC										
15B3SW71DC			DC										
15B3SW71DC			SLC SSD										
15B3SW71DC			SLC SSD										

Table 1 - Computer Options (continued)

Cat. No. (6181P-)	Model	Level ⁽¹⁾	Series	Power	Display Size (in.)	Aspect Ratio	Touch Screen	Bezel	Storage	Windows OS									
17A2MW71AC	1700P	Performance	F	AC	17	5:4	Resistive	Aluminum	MLC SSD	7 Professional 64 bit SP1									
17A2MW71DC				DC															
17A2SW71AC				AC															
17A2SW71DC				DC															
17A2SE71AC				AC															
17A2SE71DC				DC															
17C2MW71AC		Advanced		Performance	AC	17	5:4	Resistive	Stainless steel	MLC SSD	7 Professional 64 bit SP1								
17C2MW71DC					DC														
17C2SW71AC					AC														
17C2SW71DC					DC														
17A3MW71AC					Advanced							Performance	AC	17	5:4	PCAP	Aluminum	MLC SSD	7 Professional 64 bit SP1
17A3MW71DC													DC						
17A3SW71AC				AC															
17A3SW71DC				DC															
19A2MW71AC	1900P		Performance	F	AC	19	5:4	Resistive	Aluminum	MLC SSD	7 Professional 64 bit SP1								
19A2MW71DC					DC														
19A2SW71AC					AC														
19A2SW71DC					DC														
19A2SE71AC					AC														
19A2SE71DC					DC														
19C2MW71AC		Advanced	Performance		AC	19	5:4	Resistive	Stainless steel	MLC SSD	7 Professional 64 bit SP1								
19C2MW71DC					DC														
19C2SW71AC					AC														
19C2SW71DC					DC														
19A3MW71AC					Advanced							Performance	AC	19	5:4	PCAP	Aluminum	MLC SSD	7 Professional 64 bit SP1
19A3MW71DC													DC						
19A3SW71AC			AC																
19A3SW71DC			DC																
19B3MW71AC	Advanced		Performance	AC	19 ⁽²⁾	16:9	PCAP	Aluminum	MLC SSD	7 Professional 64 bit SP1									
19B3MW71DC				DC															
19B3SW71AC				AC															
19B3SW71DC				DC															

(1) Performance computer models have Intel Core i3 processors and Advanced computer models have Intel Core i7 processors.

(2) 15.6 inches and 18.5 inches for diagonal sizes of 15 and 19 inch widescreen displays, respectively.

Before You Begin

Before unpacking the computer, inspect the shipping carton for damage. If damage is visible, immediately contact the shipper and request assistance. Otherwise, proceed with unpacking.

Keep the original packing material in case you need to return the computer for repair or transport it to another location. Use both the inner and outer packing cartons to provide adequate protection for a computer returned for service.

Parts List

The computers ship with the following items.

Item	Description
Hardware	<ul style="list-style-type: none"> Power cord for AC power models Mounting clips⁽¹⁾ Keys for front access cover lock⁽²⁾ Assembly screw bag
Documents	<ul style="list-style-type: none"> Integrated Display Industrial Computers Product Information, publication 6181P-PC001 One of the following cutout templates: <ul style="list-style-type: none"> 6181P and 6181X Industrial Computers Cutout Template for Standard Display Models (4:3 and 5:4 aspect ratios), publication 6181P-DS002⁽¹⁾ 6181P and 6181X Industrial Computers Cutout Template for Widescreen Display Models (16:9 aspect ratio), publication 6181P-DS003⁽¹⁾ Production test report

(1) Shipped only with display computers.

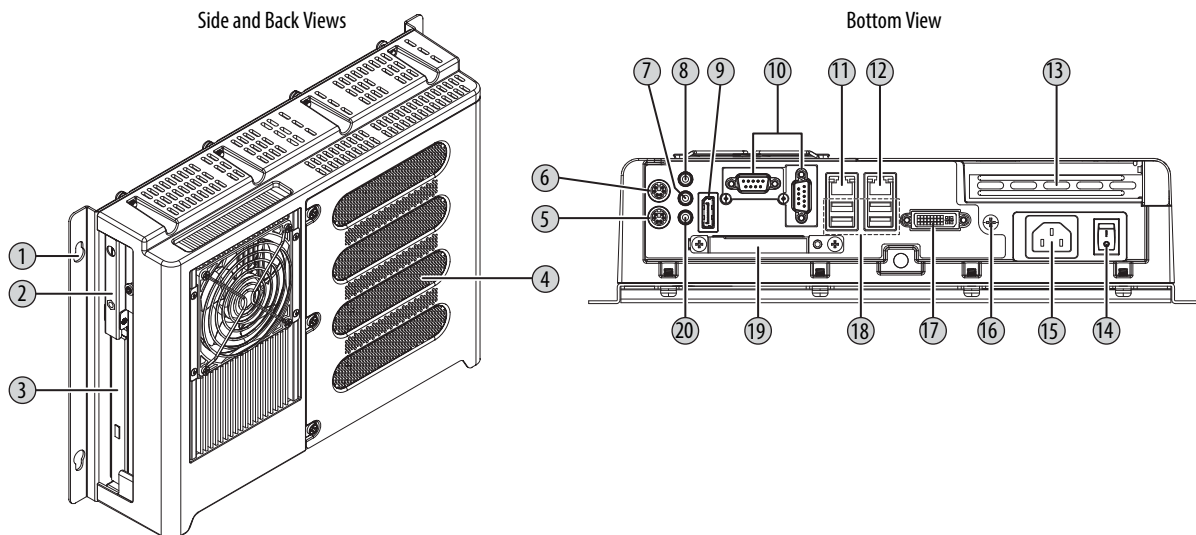
(2) Shipped only with computers with aluminum bezels; see the table in [Computer Options on page 11](#) for more information.

Hardware Features

The illustrations in this section show the hardware features of each computer.

External Components and I/O

Figure 1 - Non-display Computers



Item	Component
1	Mounting hole, 4
2	SSD
3	Drive bay ⁽¹⁾
4	Rear cover
5	PS/2 keyboard port
6	PS/2 mouse port
7	Audio line-out jack

Item	Component
8	Audio line-in jack
9	DisplayPort connector
10	Serial COM ports, 2
11	LAN 2 Ethernet port (8P8C/RJ45)
12	LAN 1 Ethernet port (8P8C/RJ45)
13	PCIe x8 riser slot cover
14	Power switch

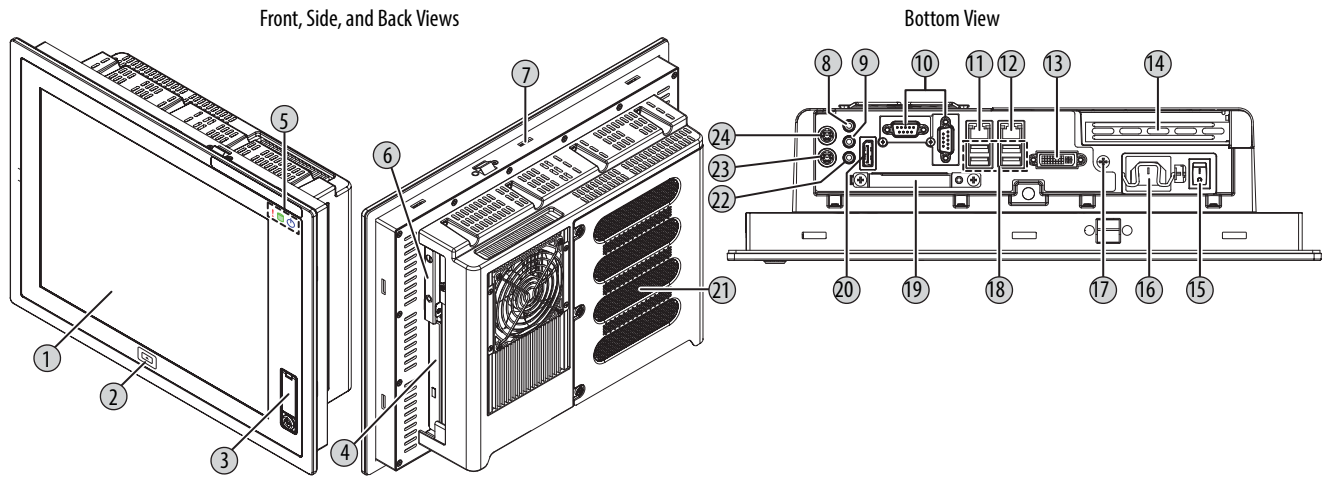
Item	Component
15	Power input, AC or DC ⁽²⁾
16	Functional ground screw
17	DVI-I port
18	External USB 3.0 ports, 4 ⁽³⁾
19	CompactFlash Type II card slot
20	Microphone-in jack

(1) Bay for ODD, second SSD (for RAID configuration), or no drive. See [Appendix A](#) for further information. An ODD is available on all Advanced models, and can be added to Performance models.

(2) Model dependent.

(3) All non-display models have four external USB 3.0 ports and one internal USB 3.0 port.

Figure 2 - Integrated Display Computers



Item	Component
1	Touch screen and display panel ⁽¹⁾
2	User interface button (UIB) ⁽²⁾
3	Front access cover ⁽²⁾
4	ODD ⁽³⁾
5	Status indicator icons, 3 ⁽²⁾
6	SSD
7	Mounting slots
8	Audio line-in jack

Item	Component
9	Audio line-out jack
10	Serial COM ports, 2
11	LAN 2 Ethernet port (8P8C/RJ45)
12	LAN 1 Ethernet port (8P8C/RJ45)
13	DVI-I port
14	PCIe x8 riser slot cover
15	Power switch
16	Power input, AC or DC ⁽⁴⁾

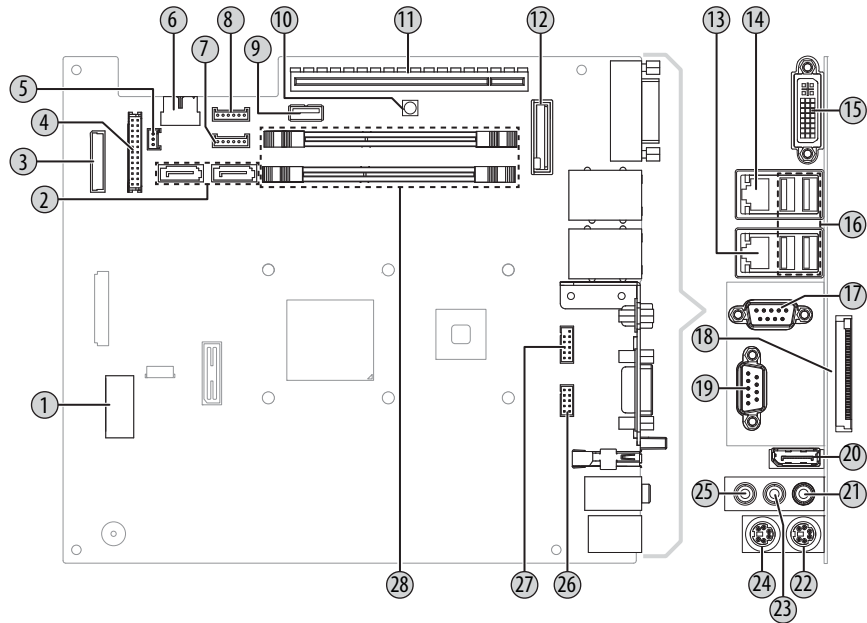
Item	Component
17	Functional ground screw
18	External USB 3.0 ports, 4 ⁽⁵⁾
19	CompactFlash Type II card slot
20	DisplayPort connector
21	Rear cover
22	Microphone-in jack
23	PS/2 keyboard port
24	PS/2 mouse port

- (1) See [Appendix A](#) for touch screen options.
- (2) Available only on display models with aluminum bezel.
- (3) An ODD is available on all Advanced models, and can be added to Performance models. See [Appendix A](#) for further information.
- (4) Model dependent.
- (5) All display models have four external USB 3.0 ports and one internal USB 3.0 port. Display models with an aluminum bezel have an additional external USB 3.0 port on the bezel (behind the front access cover).

Internal Components

The illustrations in this section show the system board layouts for all non-display and display computers.

Figure 3 - Motherboard



Item	Component
1	Power connector
2	Mini-SATA cable connector, 2
3	eDP signal cable connector
4	Panel cable connector
5	Power switch cable connector
6	USB cable connector
7	SATA power cable connector
8	System fan 1 connector
9	Internal USB 3.0 connector

Item	Component
10	Clear UEFI button
11	Riser-card board connector
12	Battery socket
13	1 Gb LAN 2 port
14	1 Gb LAN 1 port
15	DVI-I port
16	Rear USB 3.0 ports, 4
17	RS-232 serial port, (COM2)
18	CompactFlash Type II slot
19	RS-232 serial port (COM1)

Item	Component
20	DisplayPort connector
21	Microphone-in jack
22	PS/2 keyboard port
23	Audio line-out jack
24	PS/2 mouse port
25	Audio line-in jack
26	COM1 cable connector
27	COM2 cable connector
28	DDR3 DIMM slot, 2

Figure 4 - Panel Adapter Board (only in display models)

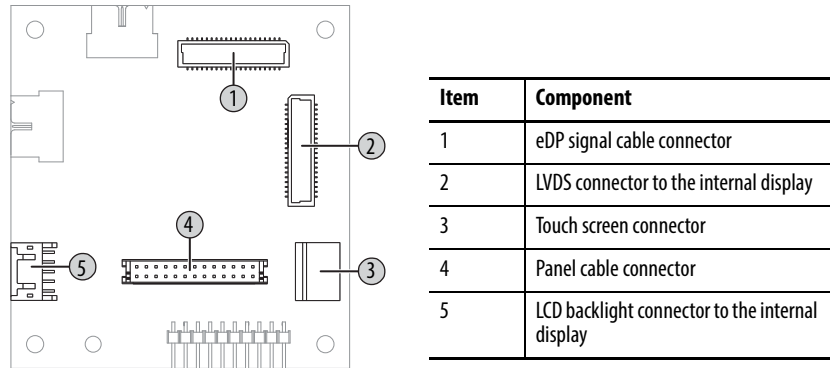
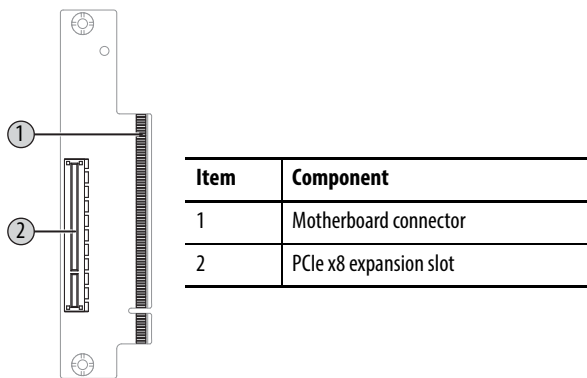


Figure 5 - Riser-card Board, Single-slot



System Features

The following system features are found on this line of integrated display computers.

Multi-touch Touch Screens

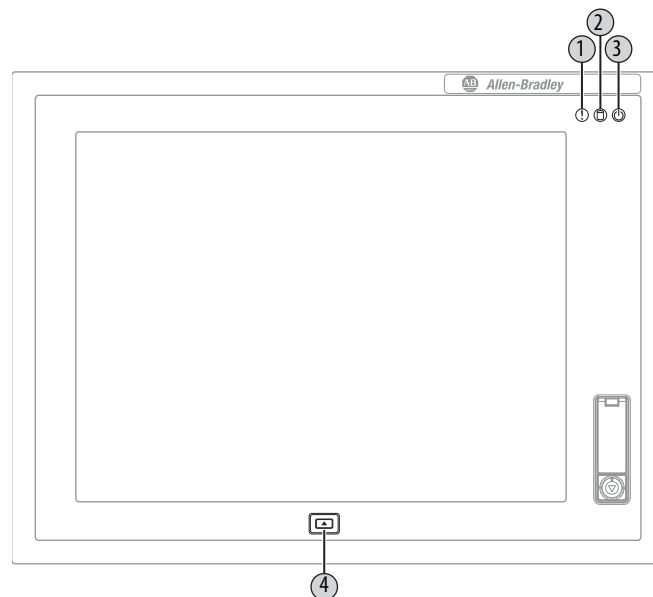
The 6181P integrated display industrial computers offer models with glass-front, multi-touch PCAP touch screens. The multi-touch technology provides up to two simultaneous touches and common gesturing (such as flicking, rotating and pinch-to-zoom) when you operate the touch screen. These touch screens can also be operated with gloves.

PCAP touch screens are calibrated at the factory so you do not have to calibrate. The touch screen glass has an anti-reflective coating, which results in a visually appealing and durable touch screen ideal for industrial applications.

Status Indicators and UIB

Display computers with aluminum bezels have three status indicators and a UIB on the front panel. The status indicators provide a quick, at-a-glance view of the computer's status for system temperature, drive activity, and power. Complete descriptions of the indicators are shown in the table below.

The UIB provides you with an easy, one-click access to either the BIOS/UEFI upon startup or applications in the operating system (OS). The functionality can be configured to be any keystroke (up to three keystrokes) in the OS or can be disabled all-together. Configuration of this button is done in the BIOS/UEFI. See [User Interface Button \(UIB\) on page 76](#) for more information to configure the UIB.



Item	Icon	Indicator	Status	Description
1	!	System health status	Red	The temperature threshold of the computer has been exceeded.
			Off	System health is normal.
2	Cylinder icon	Drive access status	Green	Drive activity.
			Off	No drive activity.
3	Power button icon	Power status	Blue	The computer is operational.
			Amber	The computer is in Standby mode.
			Off	The computer is off.
4	UIB icon	User Interface Button (UIB)	N/A	The UIB can be used as a programmable navigation button. Press during computer startup to access the UEFI. See User Interface Button (UIB) on page 76 to configure the UIB.

Hardware Monitor and Watchdog Timer Utilities

The 6181P computer system images are provided with an integrated Hardware Monitor utility and a Watchdog Timer service. The utilities are available in the images but you must install and enable them.

Hardware Monitor

The Hardware Monitor is an integrated utility that runs on the OS. It monitors the computer temperature and views the system fan speed (if a fan is present). This utility is similar to what you see when running a third party program, such as SpeedFan.

Hardware Monitor has a default temperature threshold that can be adjusted by the user. Once the temperature threshold is selected and the service is running, the utility displays a pop-up message on the display, indicating that the computer has reached the selected temperature threshold. There is no action taken as a result of the pop-up and there are no event logs created.

Watchdog Timer

Watchdog timer is a utility that runs on the OS and ‘watches’ the system. If there is a program error or hardware malfunction that causes the OS to ‘hang,’ the watchdog timer times out and causes the system to automatically reboot. An event log is created after the system restarts because the computer experienced an incorrect shutdown sequence.

This utility is beneficial for situations where constant user interface is not possible, and it is desired to keep the computer up and running for visual and display purposes.

See [Watchdog Timer on page 77](#) for more information on configuring the watchdog timer.

Intel Active Management Technology (AMT) 9.0

Intel® Active Management Technology (AMT) 9.0 is supported on 6181P computers with the Intel Core i7 Quad-core processor. AMT provides remote access and manages products through either the BIOS/UEFI or OS. By default, the 6181P computers are shipped with the AMT disabled. You must enable it to take advantage of the remote management capabilities. For additional information on Intel AMT, visit <http://www.intel.com>.

See [AMT Configuration on page 74](#) for more information to configure the AMT.

Installation

Chapter Objectives

This chapter provides information on the following topics:

- [Installation Precautions](#)
- [Installation Guidelines](#)
- [Mounting Clearance Requirements](#)
- [Computer Dimensions](#)
- [Required Tools](#)
- [Install the Computer](#)
- [Connect Peripherals](#)
- [Connect Power](#)
- [Functional Ground Screw](#)
- [Connect to a Network](#)

Review each mounting type and computer dimensions before installation.

Installation Precautions

Read and follow these precautions before installing the computer.

Environment and Enclosure Information



ATTENTION: This equipment is intended for use in a Pollution Degree 2 industrial environment, in overvoltage Category II applications (as defined in IEC 60664-1), at altitudes up to 2000 m (6561 ft) without derating.

This equipment is considered Group 1, Class A industrial equipment according to IEC/CISPR 22. Without appropriate precautions, there can be potential difficulties with electromagnetic compatibility in other environments due to conducted as well as radiated disturbance.

This equipment is UL Listed and supplied as an open type equipment. To meet some regulatory requirements, the computer must be mounted in an enclosure that is suitably designed for environmental conditions that can be present and appropriately designed to prevent personal injury resulting from accessibility to live parts. The enclosure must be accessible only by using a tool.

All 6181P display computers are shipped with a gasketed bezel to meet specified NEMA, UL Type, and IEC IP ratings only when mounted in a panel or enclosure with an equivalent rating.

In addition to this publication, see the following:

- Industrial Automation Wiring and Grounding Guidelines, publication [1770-4.1](#), for more installation requirements
 - NEMA 250 and IEC 60529, as applicable, for explanations of the degrees of protection provided by enclosures
-

European Union Directive

This computer meets the European Union Directive requirements when installed within the European Union or EEA regions and have the CE mark. A copy of the declaration of the conformity is available at <http://www.rockwellautomation.com/certification>.



ATTENTION: This computer is intended to operate in an industrial or control room environment, which uses some form of power isolation from the public low-voltage mains. Some computer configurations cannot comply with the EN 61000-3-2 Harmonic Emissions standard as specified by the EMC Directive of the European Union. Obtain permission from the local power authority before connecting any computer configuration that draws more than 75 W of AC power directly from the public mains.

To comply with EN 55024, the Ethernet port LAN cable must be used only indoors. All other I/O cables must be less than 3 m (9.84 ft) and used only indoors.

To comply with EN 55022 and EN 55024, use the following for cable types.

Cable Type	Required Attribute
LAN	Shielded or unshielded
USB	Shielded
Serial RS-232	Shielded
DVI	Shielded
DP	Shielded
VGA	Shielded
DC power	Unshielded
AC power	Unshielded ⁽¹⁾

(1) Use the AC power cord shipped with the computer.

Installation Guidelines

Follow these guidelines to make sure your computer provides service with excellent reliability:

- The installation site must have sufficient power.



ATTENTION: To maintain an electrically safe installation, AC powered computers must be plugged into a grounded outlet.

- In dry environments, static charges can build up easily. Proper grounding of the computer helps to reduce static discharges, which can cause shock and damage electronic components.
- The enclosure must allow sufficient space around air inlets and outlets to provide the circulation necessary for cooling. See [Mounting Clearance Requirements on page 22](#) for further information. Never allow air passages to become obstructed.
- The ambient air temperature must not exceed the maximum operating temperature specified in [Table 18 on page 116](#). Consider a user-supplied fan, heat exchanger, or air conditioner for heat generated by other devices in the enclosure.

TIP Hot air rises. The temperature at the top of the enclosure is often higher than the temperature in other parts of the enclosure, especially if air is not circulating.

IMPORTANT The computer can operate at a range of extremes. However, the life span of any electronic device is shortened if you continuously operate the computer at its highest rated temperature.

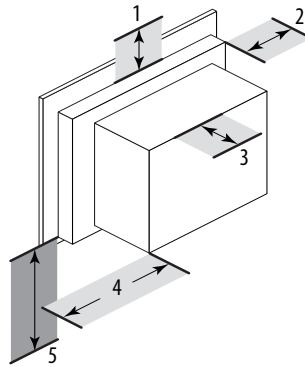
- The humidity of the ambient air must not exceed limits that are specified in [Table 18 on page 116](#) and must avoid condensation.
- The enclosure or cover must always remain in place during operation. The cover provides protection against high voltages inside the computer and inhibits radio-frequency emissions that can interfere with other equipment.

Mounting Clearance Requirements

IMPORTANT Computers generate heat. Therefore, do not operate the computer in an enclosure with the minimum clearances unless adequate ventilation or other cooling methods are used to lower the temperature within the enclosure.

Allow enough clearance to easily install or remove components, such as storage drives.

Figure 6 - Minimum Clearances



Item	Description	Value
1	Top	50 mm (2 in.)
2	Left (for airflow)	50 mm (2 in.)
3	Rear	50 mm (2 in.)
4	Right (for airflow and drive access)	127 mm (5 in.)
5	Bottom (for I/O port access and ventilation)	102 mm (4 in.)

Right and left are based on facing the front of the computer.

Computer Dimensions

Review computer dimensions to estimate the clearance necessary for computer installation. Dimensions are given in mm (in.).

Figure 7 - Non-display Computer

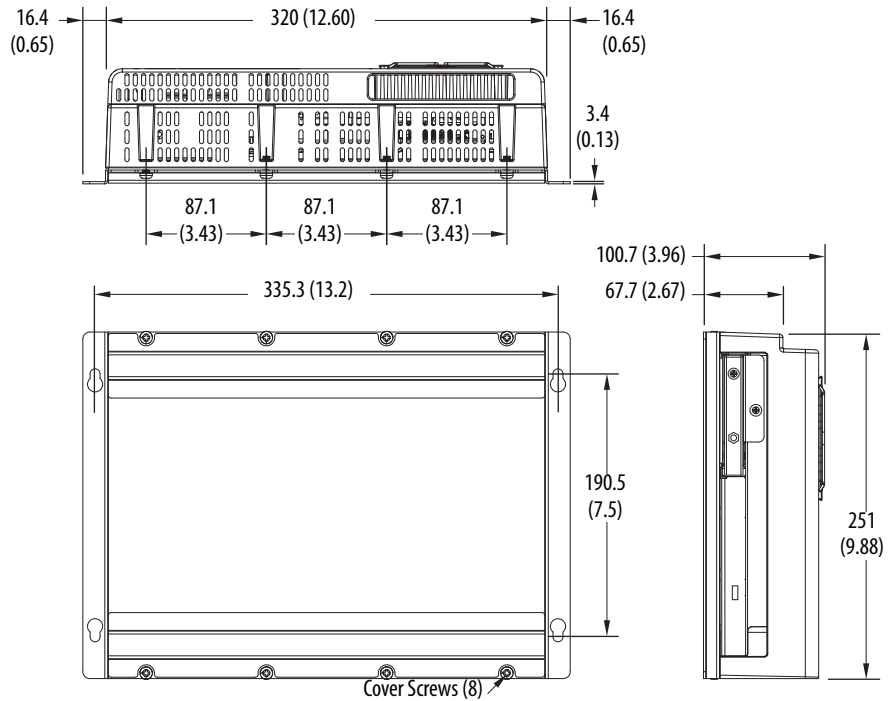


Figure 8 - 1200P (12-inch) Computer with 4:3 Display

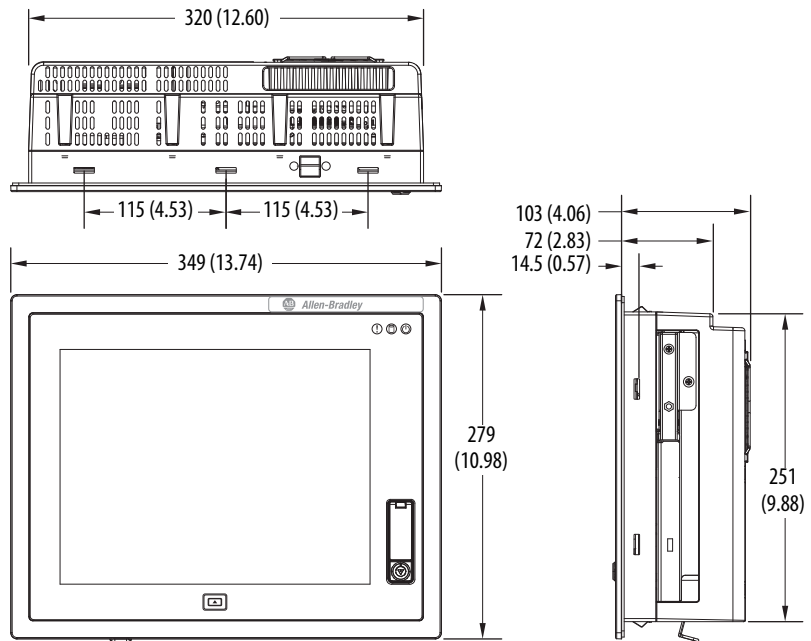


Figure 9 - 1500P (15-inch) Computer with 4:3 Display

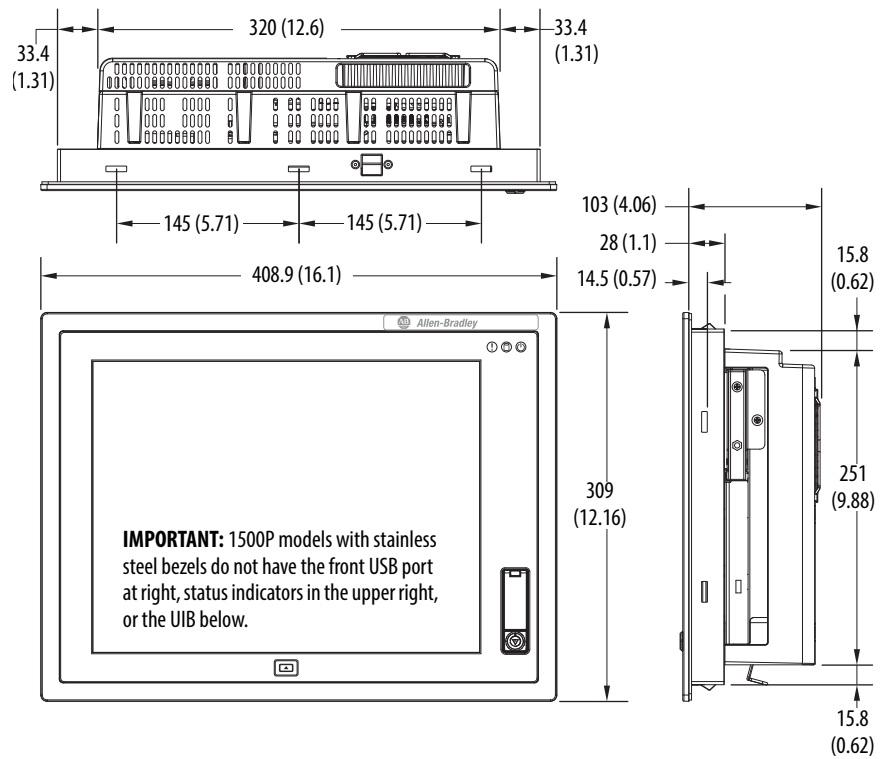


Figure 10 - 1500P (15-inch) Computer with Widescreen (16:9) Display

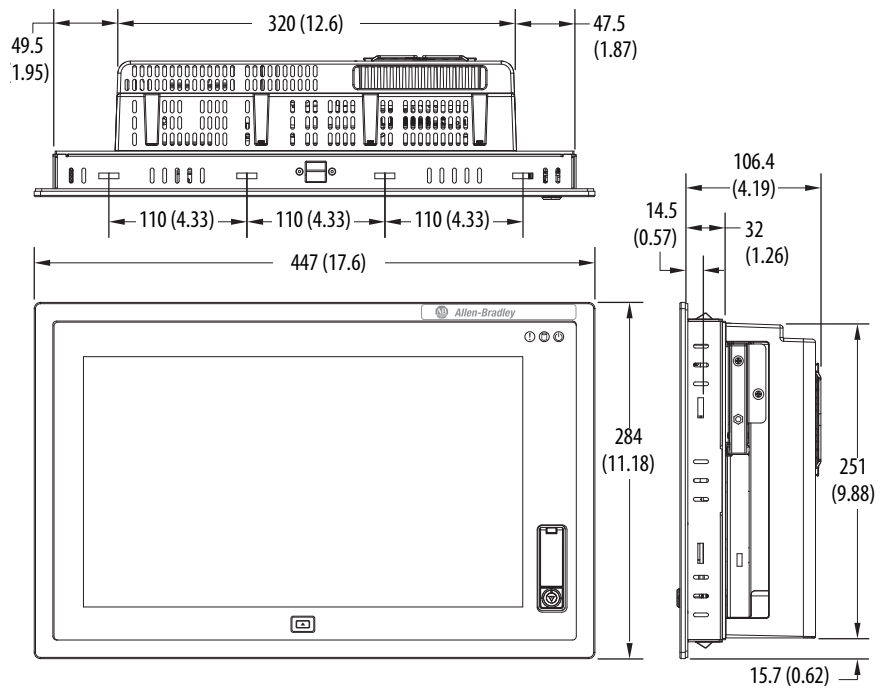


Figure 11 - 1700P (17-inch) Computer with 5:4 Display

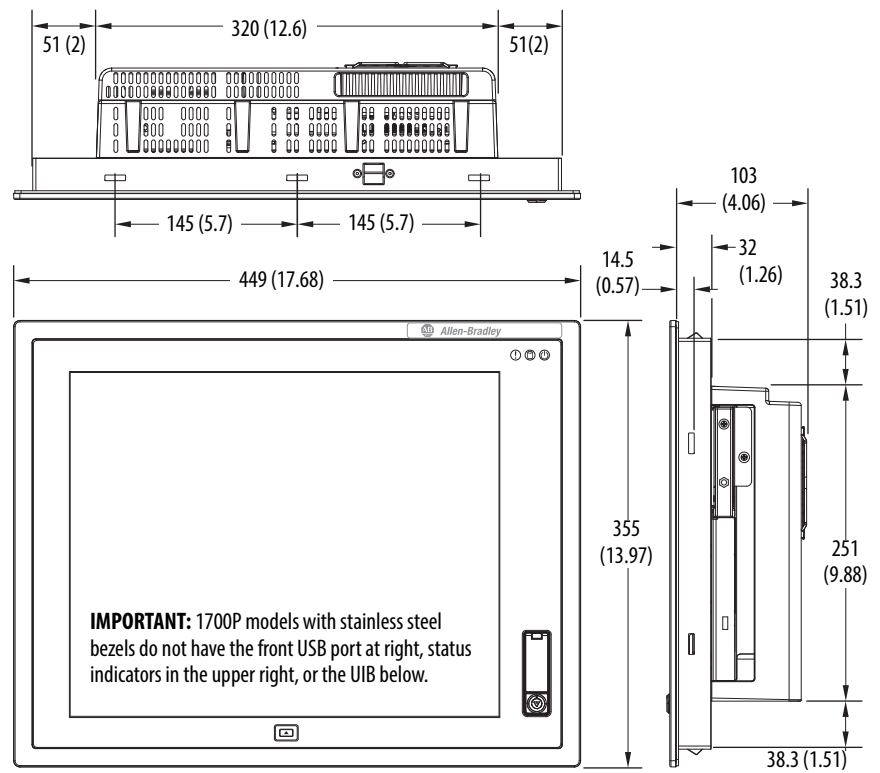


Figure 12 - 1900P (19-inch) Computer with 5:4 Display

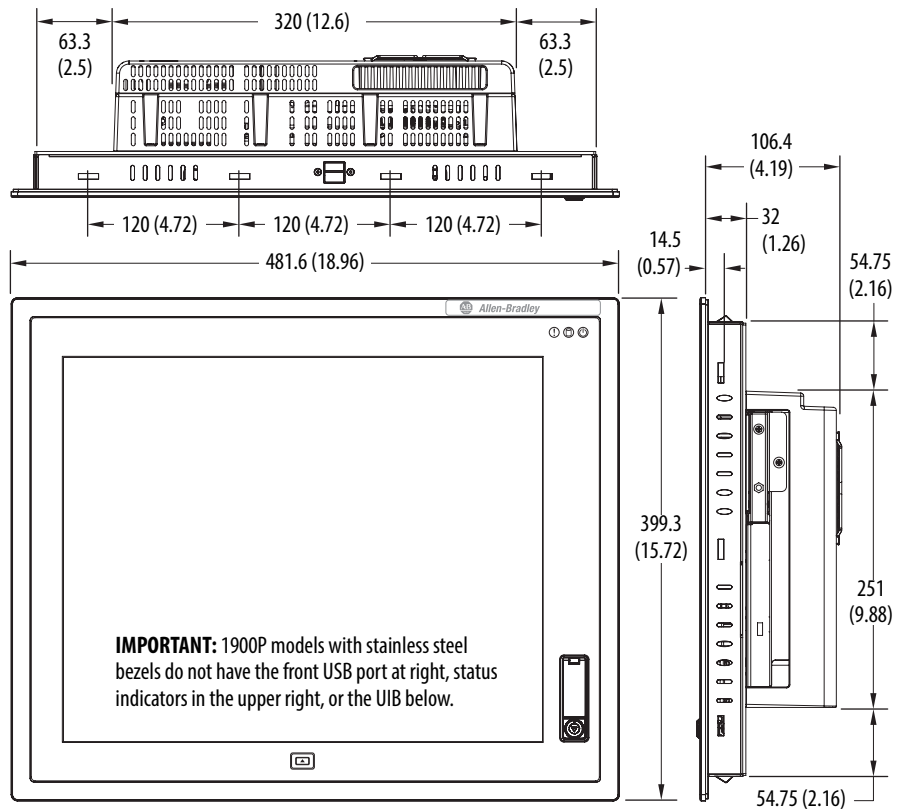
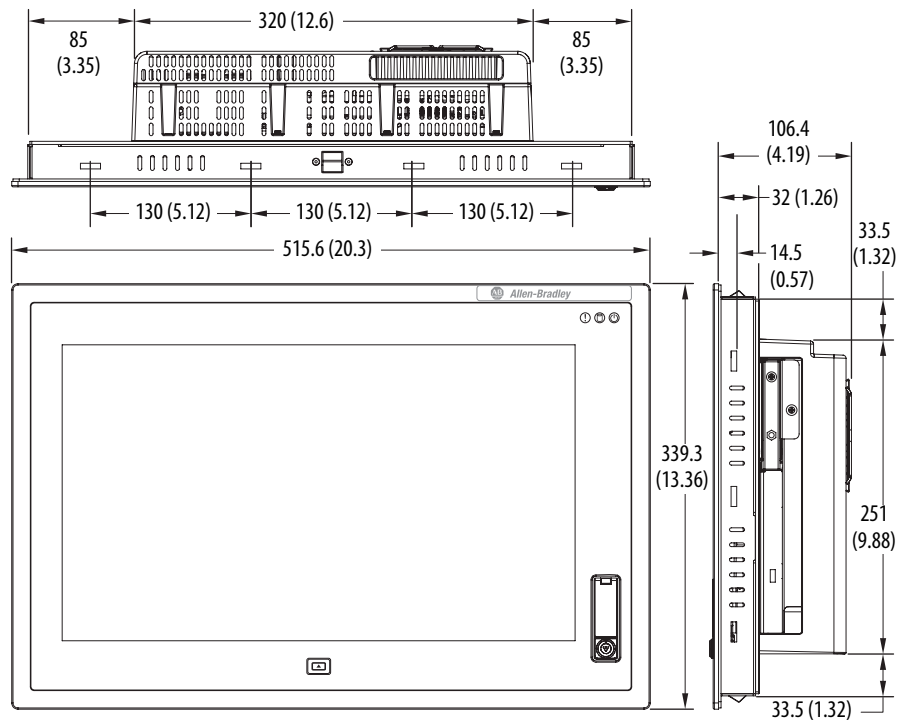


Figure 13 - 1900P (19-inch) Computer with Widescreen (16:9) Display



Required Tools

These tools are required for computer installation:

- #2 cross-head screwdriver
- Panel cutout tools (for panel mounting)
- Drill motor and drill bit (for wall, machine, and table mounting)
- Antistatic wriststrap

Install the Computer

The computers support the following mounting options:

- Panel mount (display computer models)
- Wall, machine, table, and bookshelf mounts (non-display computer models)

Panel Mounting Guidelines

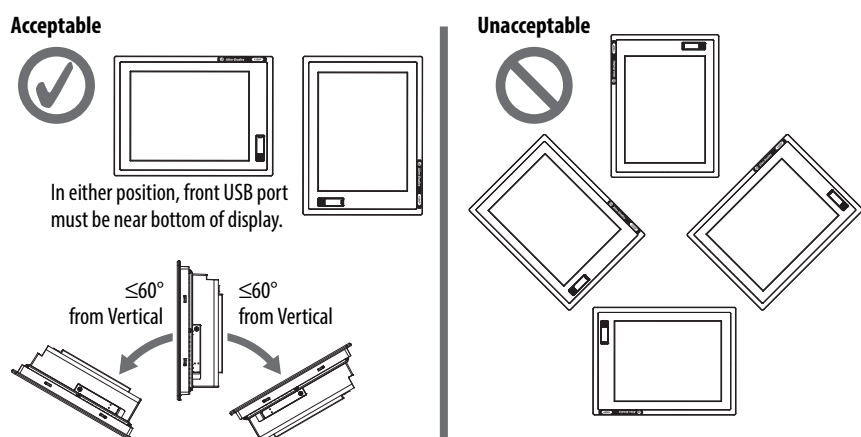
Observe these guidelines when installing the computer in a panel:

- Remove all electrical power from the panel before you make the cutout.
- Confirm that there is adequate space behind the panel. For specific information, refer to [Mounting Clearance Requirements](#) on [page 22](#).
- Cut supporting panels to specifications before installation. Take precautions so metal cuttings do not enter components already installed in panel.

Supporting panels must be at least 14 gauge for proper sealing against water and dust and to provide proper support. The mounting hardware supplied accommodates panel thickness between 1.5...5.5 mm (0.06...0.22 in.).

- Make sure the area around the panel cutout is clear.
- Certain restrictions apply when you mount a display computer in a panel. See [Figure 14](#) for details.

Figure 14 - Acceptable and Unacceptable Mounting Positions for Display Computers

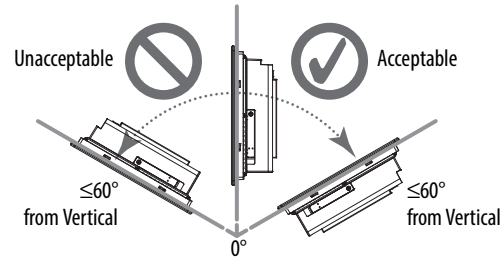


ATTENTION: Failure to follow these guidelines can result in personal injury or damage to the panel components.

- Display computers have mounting-assist clips on the top and bottom of the bezel. When the computer is placed into a panel cutout, the mounting-assist clips snap into place and hold the computer in position while you install the mounting clips.

Certain restrictions apply when you use mounting-assist clips. See [Figure 15](#) for details.

Figure 15 - Acceptable and Unacceptable Mounting Positions for Using Assist Clips



ATTENTION: The mounting-assist clips on display computers are no substitute for the mounting clips. You must install the mounting clips for safety, NEMA, UL Type, and IEC IP compliance.

Failure to follow these guidelines can result in personal injury or damage to the panel components.

Panel Cutout Dimensions

A cutout template is shipped with each display computer model. 6181P and 6181X Integrated Display Industrial Computers Cutout Template, publication [6181P-DS002](#), is included with standard display models (4:3 and 5:4 aspect ratios). 6181P Integrated Display Industrial Computers Cutout Template, publication [6181P-DS003](#), is included with widescreen display models (16:9 aspect ratio).

The computers must be mounted to meet the panel cutout dimensions specified below.

Model	Cutout Dimensions (H x W), approx	
	Standard Models	Widescreen Models
1200P	254.0 x 324 mm (10.0 x 12.76 in.)	—
1500P	285.6 x 386.6 mm (11.24 x 15.22 in.)	260.2 x 420 mm (10.24 x 16.54 in.)
1700P	329.5 x 424 mm (12.97 x 16.69 in.)	—
1900P	363.5 x 449.6 mm (14.31 x 17.7 in.)	321 x 493 mm (12.64 x 19.41 in.)

Mount the Display Computer in a Panel

Mounting clips secure the display computer to the panel. The number of clips varies by model.

Model	Bezel	Clips (qty.)	Cat. No.	Description
1200P Standard	Aluminum	10	6189V-MCLP53	Replacement mounting clips (14)
1500P Standard				
1500P Widescreen		12		
1700P Standard		10		
1900P Standard		14		
1900P Widescreen				
1500P	Stainless steel	10		
1700P		12		
1900P		14		

Follow these steps to mount the computer in a panel.

1. Remove power from the panel.
2. Verify that the panel surface around the area to be cut is clean and free of debris.



ATTENTION: Take precautions so metal fragments do not enter components already installed in the panel to avoid personal injury or damage to the panel components.

3. Cut an opening in the panel by using the appropriate panel cutout dimensions.
4. Attach cables to the computer before installation if rear access to the computer is limited after installation.

For where to attach cables, see [Connect Peripherals on page 31](#).

AC power models: If necessary, remove the AC retention clip before you install the computers in a panel cutout. Reattach the clip after you install the computer.

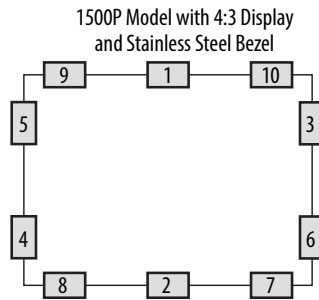
5. Make sure the sealing gasket is properly positioned on the computer.

This gasket forms a compression-type seal. Do not use sealing compounds.

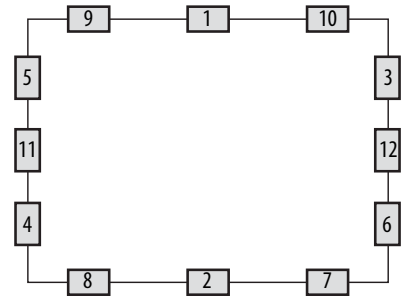
6. Place the computer in the panel cutout.
7. Slide the mounting clips into the holes on the top, bottom, and sides of the computer.

8. Hand-tighten the mounting clips around the bezel by following the tighten sequence below.

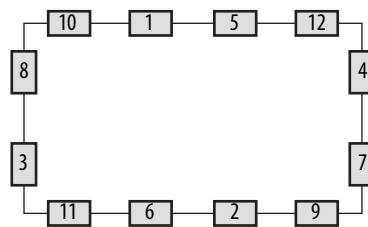
All Models except 1900P with
4:3 and 5:4 Displays and Aluminum Bezel



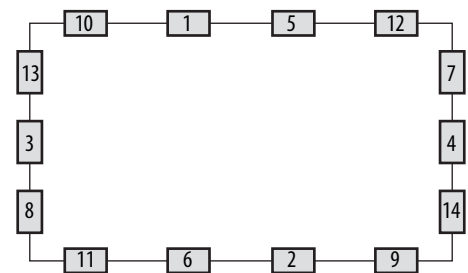
1700P Model with 5:4 Display and
Stainless Steel Bezel



1500P Model with Widescreen (16:9) Display



All 1900P Models



9. Repeat this process at least three times until the clips are hand-tight and the gasket is compressed uniformly against the panel.
10. Tighten the mounting clips to a torque of 1.35 N•m (12 lb•in) by following the torque sequence on the previous page. Do not overtighten.
11. Repeat this process at least three times until the clips are properly torqued. Verify that the gasket is compressed uniformly against the panel.



ATTENTION: Tighten the mounting clips to the specified torque to provide a proper seal and to prevent product damage. Rockwell Automation® assumes no responsibility for water or chemical damage to the computer or other equipment within the enclosure because of improper installation.

Mount the Non-display Computer

Follow these steps to mount a non-display computer.

IMPORTANT Certain restrictions apply when you mount the computer to a wall or with a bookshelf mounting bracket. See [Figure 16](#) for details.

The bookshelf mounting bracket, catalog number 6189V-BOOKBRKT, must be ordered separately.

For horizontal mounting, see [page 22](#) for mounting clearance requirements.

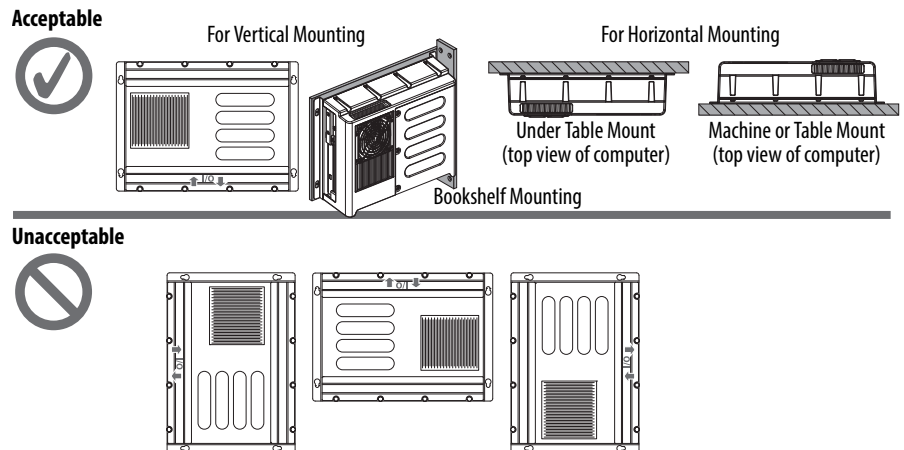
1. Verify that the power is disconnected.
2. Depending on your application, drill holes to accommodate M5-sized screws.

See [Figure 7 on page 22](#) for mounting hole locations and dimensions.

3. Mount the computer by using four M5 pan head screws.

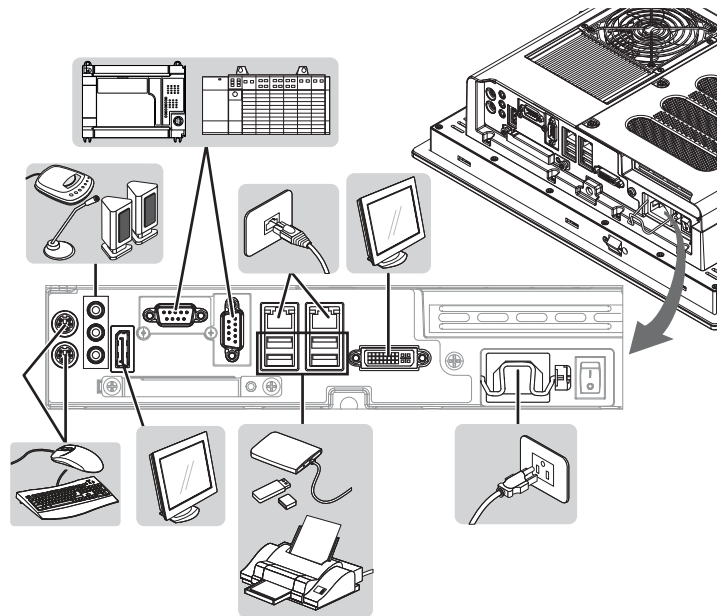
Tighten to a torque that is appropriate for the screw and material.

Figure 16 - Acceptable and Unacceptable Mounting Positions for Non-display Computers



Connect Peripherals

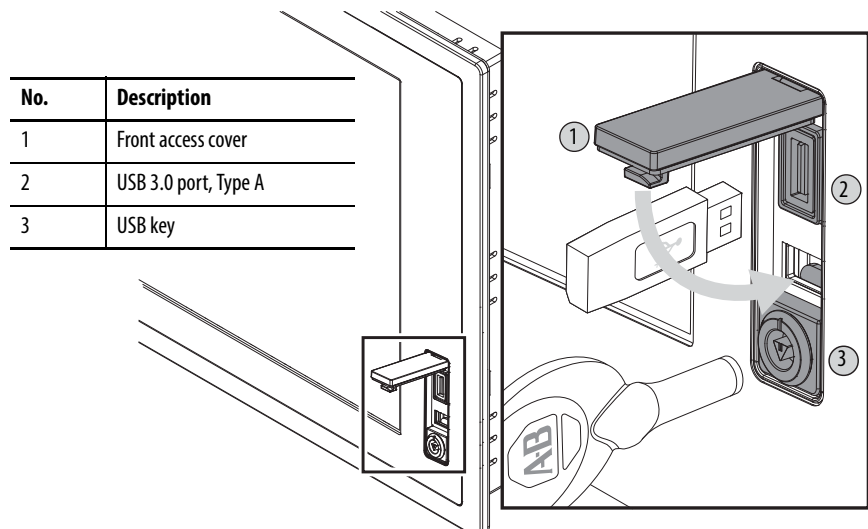
The following illustration shows the I/O port panel of the computers. Peripheral components compatible to each port are inside the callout figures.



Display computer models with aluminum bezels have USB ports on both the I/O port side panel and the front panel. Use these ports to connect various USB devices to the computer, such as an external drive.

- TIP**
- Use a DP-to-VGA adapter (cat. no. 6189V-DPVGGA) to connect an external VGA display to the DisplayPort of the computer.
 - Use a DP-to-DVI-D adapter (cat. no. 6189V-DPDVI) to connect an external LCD display to the DP of the computer.
 - Use a DVI-I-to-VGA adapter (cat. no. 6189V-DVIVGA) to connect an external VGA display to the DVI-I port of the computer.

All USB ports are enabled or disabled through settings in the UEFI set-up menu. For more information, see [USB Configuration on page 69](#).



Connect Power

The computer connects to either a 100...240V AC or 18...32V DC power source, depending on the model.



ATTENTION: When you connect power to the computer for the first time, these actions occur:

- The default UEFI setting automatically starts the computer after it is plugged into a power source.
- You must read and accept an End User Setup procedure for computers with a Windows operating system.

Do not disconnect power from the system until after the Windows Setup procedure is completed. If power is disconnected during this procedure, it can result in a corrupted system image.

Operate the computer in an industrial or control room environment, which uses some form of power isolation from the public low-voltage mains.



ATTENTION: Supply the computer circuit with its own disconnect. Use an uninterruptible power source (UPS) to help protect against unexpected power failure or power surges.

Always shut down the Windows operating system before you disconnect power to the computer to minimize performance degradation and operating system failures.

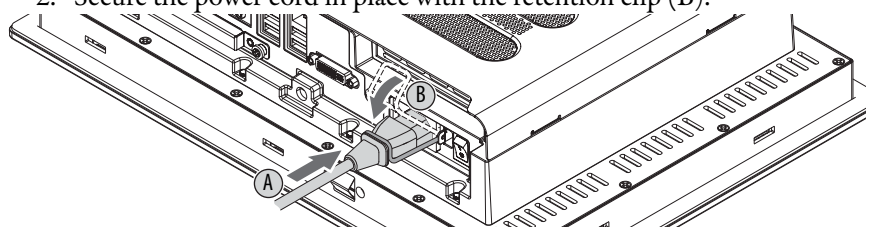
Connect AC Power

A grounded, 3-prong IEC60320-C13 power cord provides power to the computer. The power supply input accepts 100...240V AC and is autoranging.

TIP If you use an alternate IEC60320 cord, make sure the female end of the cord is sized appropriately for the retention clip.

Follow these steps to connect the computer to an AC power source.

1. Connect the power cord to the AC power input (A).
2. Secure the power cord in place with the retention clip (B).



3. Connect the AC power cord to a power source.



SHOCK HAZARD: Connect the AC power cord to a power source with an earth ground. Failure to follow this warning can result in electrical shock.

4. Apply 100...240V AC power to the computer.

Connect DC Power

Computers with catalog numbers that end in DC have a DC input terminal block for you to connect to a 18...32V DC power source.

The functional ground screw must be grounded on DC power models for EMC regulatory compliance. DC power models support operation from either a SELV or PELV power source. The DC common (DC-) can be connected together to the functional ground screw to support some SELV cases where grounding at the computer is required by the end user.

The power supply is internally protected against reverse polarity.



ATTENTION: Use a SELV isolated and ungrounded power supply as input power to the computer. This power source provides protection so that under normal and single fault conditions, the voltage between the conductors and Functional Earth/Protective Earth does not exceed a safe value.

Follow these steps to connect the computer to a DC power source.

IMPORTANT A functional ground screw connection is required for EMC compliance.

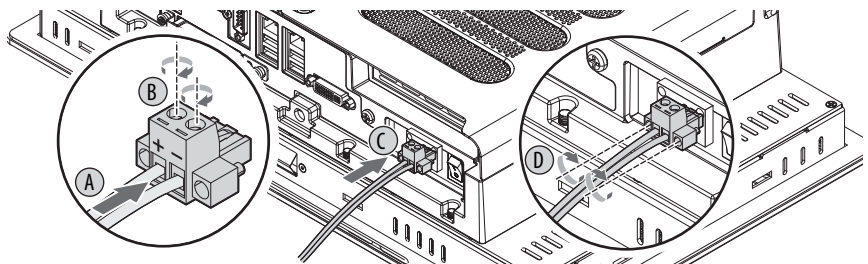
1. Turn off the main power switch or breaker.
2. Verify that the DC power wires meet these requirements:
 - Material: Stranded copper
 - Wire gauge: 0.326...3.31 mm² (22...12 AWG)
3. Insert each DC power wire into the correct terminal-block on the DC power adapter (A).
4. Secure the DC power wires to the terminal-block screws of the DC power adapter (B).
5. Connect the DC power adapter to the power supply terminal block (C).
6. Secure the DC power adapter into place with the terminal-block screws (D).

Torque the terminal screws to 0.687 N•m (6.1 lb•in).

7. Connect the computer to earth ground by using a 1.5 mm² (16 AWG) or larger external wire.

Use a ground wire with an insulation color that is approved by local inspection authority.

8. Apply 18...32V DC power to the computer.



Functional Ground Screw

Functional ground screw requirement depends on the power source.

If using the functional ground screw, connect the computer to earth ground by using a 1.5 mm² (16 AWG) or larger external wire. Use a ground wire with an insulation color that is approved by local inspection authority.

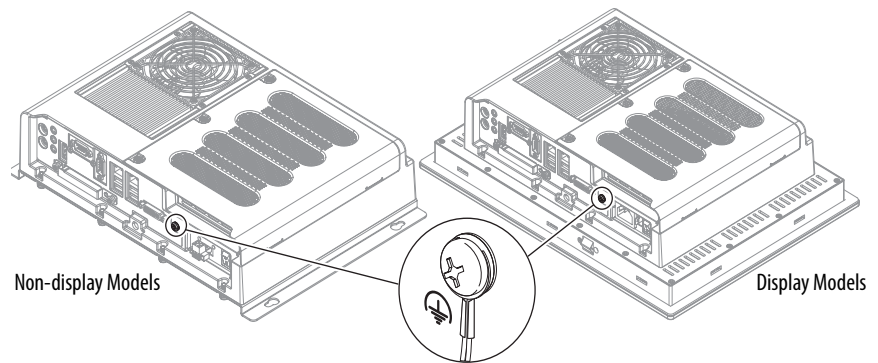
AC Power Models

The pre-installed functional ground screw is not required for safety or regulatory compliance. AC power models are already grounded through the AC power cord. If a supplemental ground is required, use the functional ground screw in the I/O port panel of the computer.

DC Power Models

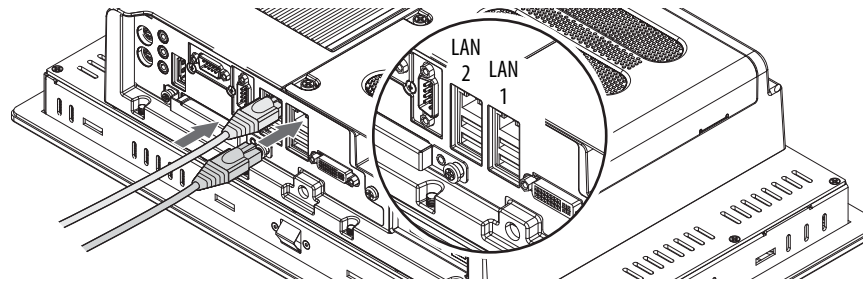
The pre-installed functional ground screw is not required for safety but is required for EMC regulatory compliance.

Figure 17 - Functional Ground Screw Location



Connect to a Network

The computers have two 1 GB LAN ports that connect to an Ethernet network by using CAT5 or CAT5e twisted-pair Ethernet cabling with RJ45 connectors.



IMPORTANT To help prevent performance degradation of Ethernet communication, do not subject the computer or cables to extreme radiation or conducted high-frequency noise.

In industrial environments, proper cable routing and power conditioning is required for reliable Ethernet communication. We recommend that you route all Ethernet cabling through dedicated metal conduits. For improved reliability, install ferrite bead filters at the cable ends.

The LAN 1 port supports AMT functionality for computers with the Intel i7 processor (Advanced computer models) that are configured for AMT.

See [AMT Configuration on page 74](#) for more information.

The LAN 2 port supports VMWARE ESXi communication.

IMPORTANT When prompted during the set-up process, Rockwell Automation recommends that you select the Public Network option for the most secure network connection. However, you are ultimately responsible for what network security setting is the most appropriate one.

Notes:

Operation

Chapter Objectives

This chapter provides information on the following topics:

- [Operating Guidelines](#)
- [Touch Screen Precautions](#)
- [Start the Computer](#)
- [Restart the Computer](#)
- [Shut Down the Computer](#)
- [Adjust the Display Brightness](#)

Operating Guidelines

Follow these operating guidelines for your computer:

- Operator access is limited to the front of the computer, which includes the display and the touch screen (if available).

IMPORTANT Access to components behind the panel where the computer is installed and the front USB port (if available) is restricted to authorized and properly trained personnel.

- When mounted in an enclosure, keep the enclosure door closed during operation so dust and other airborne contamination do not infiltrate the computer. Open the door only for routine maintenance.



SHOCK HAZARD: Do not operate the computer with the covers removed. An electrical shock hazard exists. All covers are required to maintain EMI shield.

- Always use the proper power down procedures as required by your operating system, such as the Shut Down command in the Microsoft Windows operating system.
- After you shut down the computer, do not apply power again until shutdown is complete.

Touch Screen Precautions



WARNING: If the LCD screen darkens or if the backlight is not functioning properly, the screen may be difficult to read and use of this screen could result in a potentially hazardous outcome. Do not use the LCD touch screen under these circumstances.

The design of the system must take into account the possibility of the LCD screen or LCD touch screen losing functionality and unable to be used to maintain or change control of the system. The touch screen shall not be the single point of control of critical functions and is not intended to replace an E-Stop.

Design of the system should follow all applicable code and good engineering practice. Factors to consider include the following:

- The possibility of an unreadable LCD screen
- The possibility of an inoperable touch screen
- Unexpected communication errors or delays
- Operator error in the control of the system
- Proper use of E-Stops and other safety practices

The user shall provide means to achieve a safe state during anomalies and ensure the system has adequate redundancy for critical functions.

Failure to follow these instructions can result in death, serious injury, or equipment damage.

Start the Computer

Follow these steps to start the computer.

IMPORTANT The following steps apply to when the computer must be manually started. See [Connect Power on page 32](#) for when power is applied to the computer for the first time.

1. Make sure any connected components with separate power supplies (such as an external display) are turned on first.
2. Make sure all necessary peripheral devices are connected to the corresponding I/O ports on the computer.
3. Install power to the power input of the computer.

AC powered models: See [Connect AC Power on page 32](#) for how to install the AC power cord into the AC power input on the computer.

DC powered models: See [Connect DC Power on page 33](#) for how to install DC power to the DC power input on the computer.

4. Apply power to the computer.

AC powered models: Plug the AC power cord into a power source or wall outlet.



SHOCK HAZARD: Connect the AC power cord to a power source with an earth ground. Failure to follow this warning can result in electrical shock.

DC powered models: Apply 18...32V DC power to the computer.

5. Press the power switch on the computer.

See [Hardware Features on page 13](#) for the power switch location.

The computer performs certain actions when it is started or reset. See [Restart the Computer on page 39](#) for what is done.

If your system does not start or you notice other anomalies, refer to [Troubleshooting](#) starting on [page 96](#).

Restart the Computer

Use any of the following methods to restart your computer.

- From the Start menu, choose Restart.
- Press Ctrl+Alt+Delete on an attached keyboard and click Restart.
- Use AMT commands (only for Advanced computer models; see [page 11](#) to see if your computer qualifies and [page 74](#) for more about AMT configuration).

During a restart, the computer does the following:

- Clears the RAM.
- Starts the POST.
- Initializes peripheral devices such as drives and printers.
- Loads the operating system.

Use the computer display to view the progress of the POST, the initialization of accessory devices, and the start-up dialogs for the operating system that is installed.

Shut Down the Computer

Use either of the following methods to shut down the computer.

Method	Actions
Windows OS	With an attached mouse and keyboard, do one of the following. <ul style="list-style-type: none"> • Press Ctrl+Alt+Delete and click Shut Down. • From the Start menu, click or choose Shut Down.
Power switch	Momentarily press the power switch to shut down the computer. See Hardware Features on page 13 for the power switch location.

Adjust the Display Brightness

Display computers have an adjustable display brightness setting that can be adjusted in the BIOS/UEFI or in the Windows operating system. The display brightness default setting is 70%.

See [Chipset on page 75](#) for how to adjust the brightness through the BIOS/UEFI.

IMPORTANT If you increase the brightness from the default setting, it reduces the life of the LED backlight, particularly at high temperatures.

Component Replacement

Chapter Objectives

This chapter provides information on the following topics:

- [Replacement Parts](#)
- [Voltage Precautions](#)
- [Electrostatic Discharge Precautions](#)
- [Pre-configuration](#)
- [Post-configuration](#)
- [Required Tools](#)
- [Remove the Cover](#)
- [Reinstall the Cover](#)
- [CompactFlash Card](#)
- [Solid-state Drive](#)
- [Replace a SSD](#)
- [Replace or Add Memory Modules](#)
- [Replace the RTC Battery](#)
- [Replace the Power Supply Unit](#)
- [Replace the Optical Disk Drive](#)

Replacement Parts

You can view a list of replacement parts at <http://ab.rockwellautomation.com/Computers/Integrated-Display-Computers/Bulletin-6181#selection>.

Review the specifications of a new component before you install it to verify that it is compatible with the computer. Record the model, serial number, and any other pertinent information of new components for future reference.

IMPORTANT We recommend that you use only Allen-Bradley® approved replacement parts.

Voltage Precautions

The computers contain line voltages. Disconnect all power to the computer before you install or remove components.



SHOCK HAZARD: Disconnect all power to the computer before you remove components.

Failure to disconnect power can result in severe electrical shock to an individual or damage to the computer.

Electrostatic Discharge Precautions



ATTENTION: Electrostatic discharge (ESD) can damage static-sensitive devices or microcircuitry:

- Disconnect all power before you work on the computer as detailed in [Voltage Precautions on page 41](#).
 - Observe proper packaging and grounding techniques to help prevent damage.
-

Follow these ESD precautions:

- Transport the computer and replacement parts in static-safe containers, such as conductive tubes, bags, or boxes.
- Keep electrostatic-sensitive parts in their containers until they arrive at the designated static-free work area.
- Cover the designated work area with approved static-dissipating material:
 - Use an antistatic wriststrap connected to the work surface.
 - Use properly grounded tools and equipment.
- Keep the designated work area free of nonconductive materials, such as ordinary plastic assembly aids and foam packing.
- Avoid touching pins, leads, or circuitry.
- Always hold components with a printed circuit board (PCB) by its edges and place it with the assembly side down.

Pre-configuration

IMPORTANT

Before you install hardware or perform maintenance procedures that require access to internal components, we recommend that you first back up all computer data to avoid loss.



ATTENTION: Make sure to read and understand all installation and removal procedures before you configure the computer hardware.

Follow these steps before you remove the cover or you replace a hardware component.

1. Shut down the computer and all peripherals that are connected to it.
2. Disconnect all cables from power outlets to avoid exposure to high energy levels.
If necessary, label each cable to expedite reassembly.
3. Disconnect telecommunication cables to avoid exposure to a shock hazard from ring voltages.

Post-configuration

Follow these steps after you install or remove a hardware component.

1. Make sure all components are installed according to instructions.
2. Make sure that no tools or loose parts are left inside the computer.
3. Reinstall any expansion boards, peripherals, and system cables that were previously removed.
4. Reinstall the cover according to the instructions on [page 44](#).
5. Reconnect all external cables and power to the computer.
6. Press the power switch to start the computer.

Required Tools

The following tools are required for component replacement:

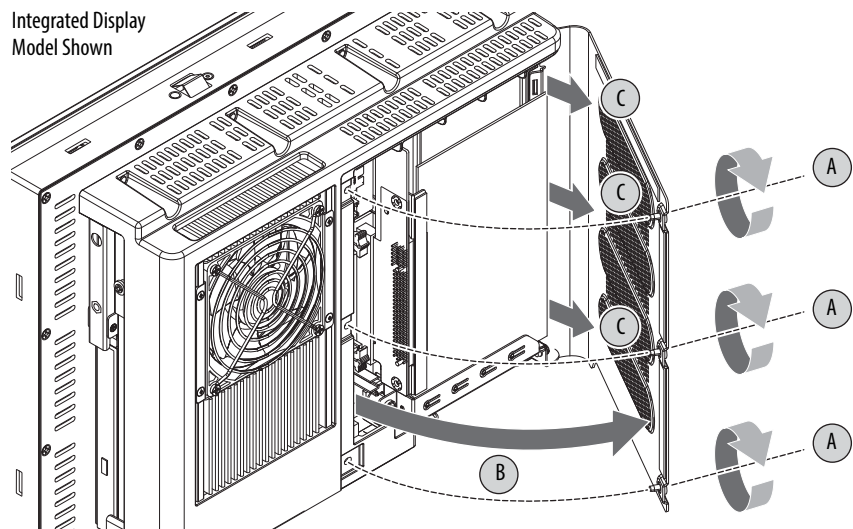
- #2 cross-head screwdriver
- Antistatic wriststrap
- Side cutters (to cut cable ties, if necessary)

Remove the Cover

To install, replace, or upgrade internal computer components, you must first remove the cover.

Follow these steps to remove the rear cover (a display computer is shown).

1. Follow the steps for [Pre-configuration on page 42](#).
2. Loosen the three screws that secure the rear cover (A).
3. Open the cover (B) and detach it from the chassis (C).

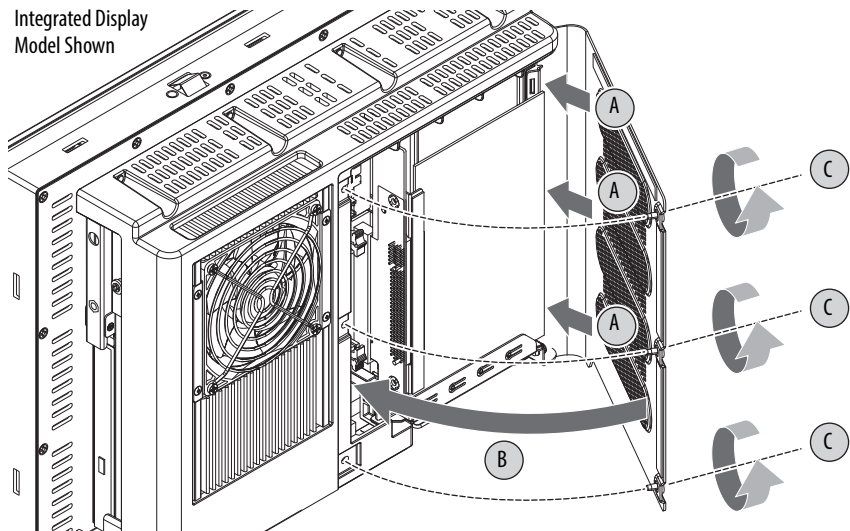


4. After you install, replace, or upgrade internal computer components, reinstall the cover as detailed in [Reinstall the Cover on page 44](#).

Reinstall the Cover

Follow these steps to reinstall the rear cover (a display computer is shown).

1. Follow steps 1...3 for [Post-configuration on page 43](#).
2. Reattach the rear cover to the chassis (1).
3. Close the cover (2).
4. Tighten the three screws to secure the rear cover (3).



5. Follow steps 4 and 5 for [Post-configuration on page 43](#).

CompactFlash Card

The computers have a CompactFlash (CF) Type II card slot for loading CF cards on the I/O port panel below the serial ports. See [Hardware Features on page 13](#) for the CF card slot location.

IMPORTANT The CF card slot is a bootable slot for DOS and Linux operating systems but not for Windows operating systems.

You can insert or remove a FAT32-formatted CF card from this slot while the computer is on. For a NTFS-formatted CF card, use the Windows 'Safely Remove/Eject Media' process.

Table 2 - Available CompactFlash Drives

Cat. No.	Description
6189V-CFSSD8GB	8 GB CompactFlash drive
6189V-CFSSD16GB	16 GB CompactFlash drive

Follow these steps to load a CF card.

1. Loosen the two screws that secure the CF card slot cover.
2. Remove the CF card slot cover.

3. Insert the CF card into the slot until it is firmly seated.



ATTENTION: When properly seated, more than 80% of the CF card easily inserts into the slot before you encounter resistance. If you encounter resistance before then, remove the card, rotate it 180°, and reinsert.

Do not force the card into the slot. Forcing the card into the slot can damage the connector pins.

4. Reattach the CF card slot cover.
5. Tighten the two screws to secure the slot cover.

Solid-state Drive

Follow these precautions when you work with a solid-state drive (SSD).

IMPORTANT Back up or clone your computer before you replace a SSD.
For more information to back up your system image, see [AMI Rescue on page 83](#).

- Do not touch internal components.
- Always handle the SSD by its frame.
- Do not remove or install a drive with the power on except in circumstances allowed by the operating system.
- Store the SSD in an antistatic bag when it is not installed.



SHOCK HAZARD: Electrostatic discharge (ESD) can damage the computer and components. Read and follow [Electrostatic Discharge Precautions on page 42](#) before you remove a SSD.

Failure to follow proper safety precautions can result in severe electrical shock to an individual or ESD damage to the computer and its components.

Table 3 - Available SSDs and Drive Trays

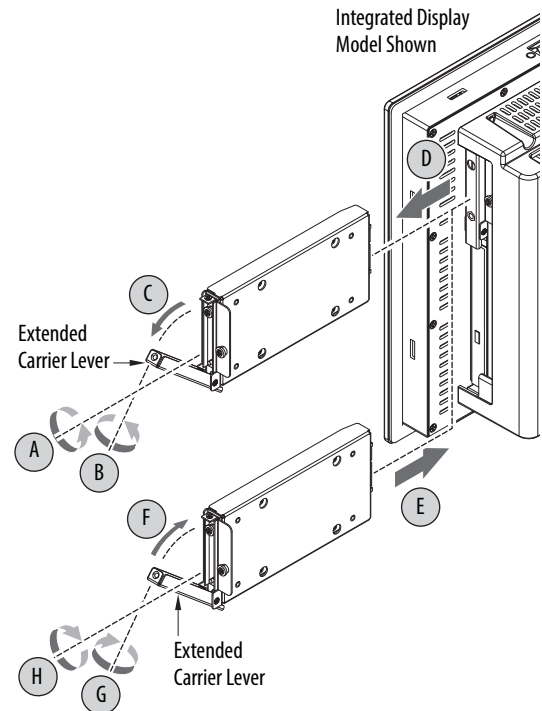
Cat. No.	Description
6189V-6181SSD32GB	32 GB SSD pre-installed in SSD tray
6189V-6181SSD64GB	64 GB SSD pre-installed in SSD tray
6189V-6181SSD256GB	256 GB SSD pre-installed in SSD tray

Replace a SSD

Follow these steps to replace a SSD, which is on the side of the computer.

IMPORTANT Before you replace a SSD, you must first back up the OS image. To back up the OS image to a USB storage drive, see [Make a Backup on page 85](#).

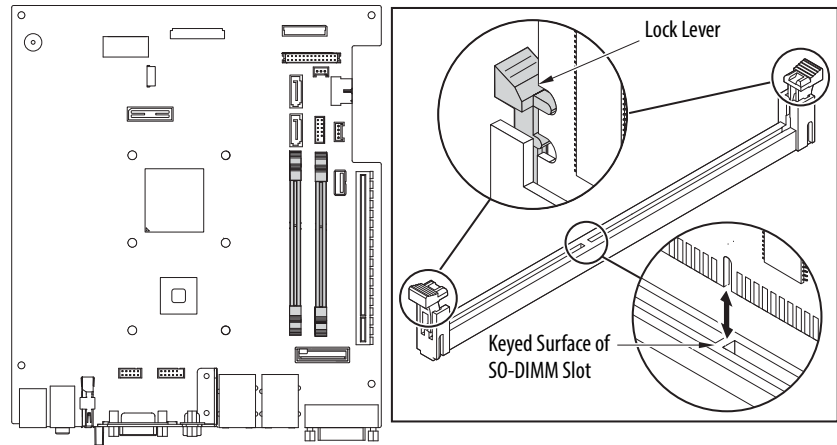
1. Read and follow [Solid-state Drive on page 45](#) before you perform any drive removal.
2. Follow the steps for [Pre-configuration on page 42](#).
3. Remove the one screw that secures the drive assembly (A).
4. Loosen the screw to release the carrier lever (B).
5. Extend the carrier lever (C), then use it to slide the assembly out of the drive bay (D).
6. Use the extended carrier lever to slide the assembly into the drive bay (E).
7. Retract the carrier lever (F) and tighten its screw to lock in place (G).
8. Secure the drive assembly with the one screw (H).
9. Follow the steps for [Post-configuration on page 43](#).
10. To restore the OS image, see [Restore OS Image From a USB Storage Drive on page 89](#).



Replace or Add Memory Modules

The computers have two dual-channel DDR3 SO-DIMM slots that support up to 16 GB maximum system memory.

Figure 18 - Memory Module Slots and Module Alignment



IMPORTANT Computer performance is optimized when both slots are populated with memory modules of the same capacity.
All 6181P computers ship with a dual memory module configuration.

Memory Configuration Guidelines

Follow these guidelines when you replace or add memory to the computers:

- Use only standard unbuffered memory modules that conform to both PC3-10600 and SPD compliance industry standards.
- Use only DDR3 type memory modules.
- Use only memory modules with gold-plated contacts.
- Always handle a memory module by its edges.

IMPORTANT We recommend that you use only Allen-Bradley approved memory modules. Refer to <http://ab.rockwellautomation.com/Computers> for qualified replacement parts and accessories.

Table 4 - Available Memory Modules

Cat. No.	Description
6189V-8GSODDR3	2 x 4 GB DDR3 SO-DIMM modules
6189V-16GSODDR3	2 x 8 GB DDR3 SO-DIMM modules

Replace or Add a Memory Module

Follow these steps to replace or add a memory module.

IMPORTANT Use an antistatic wriststrap connected to the work surface, and properly grounded tools and equipment.

1. Follow the steps for [Pre-configuration on page 42](#).
2. Remove the computer cover as detailed in [Remove the Cover on page 43](#).

TIP To install more memory, proceed to [step 5](#) of this section.

3. Locate the memory module that you want to replace. See [Internal Components on page 15](#) for memory location on the motherboard.
4. Remove the selected memory module.
 - a. Use your thumbs or fingers to push open the lock levers, which releases the memory module from its slot for easy removal. See [Figure 18 on page 47](#).
 - b. Gently pull out the memory module to remove it from its slot.
 - c. Place the memory module on a static-dissipating work surface or inside an antistatic bag.
5. Install the new memory module.
 - a. Hold the memory module by its edges as you remove it from its antistatic bag.
 - b. Orient the module so the notch on its bottom edge aligns with the keyed surface of the SO-DIMM slot. See [Figure 18 on page 47](#).

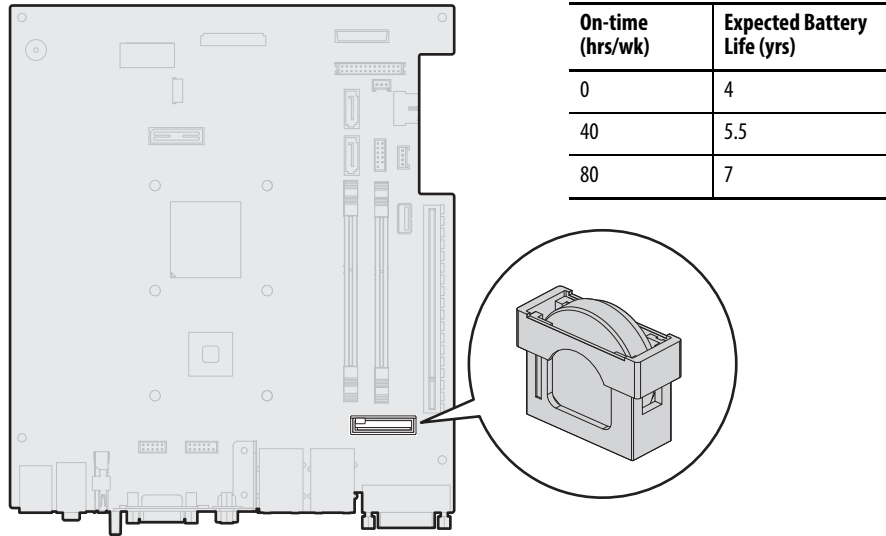
TIP The keyed surface is off center to assist the correct alignment.

- c. Press the module fully into the slot to engage the lock levers. See [Figure 18 on page 47](#).
6. Reinstall the computer cover as detailed in [Reinstall the Cover on page 44](#).
 7. Follow the steps for [Post-configuration on page 43](#).

Replace the RTC Battery

The computers use nonvolatile memory that requires a real-time clock (RTC) lithium battery to retain system information when power is removed. The RTC battery is next to the SO-DIMM1 slot.

This battery must be replaced during the life of the computer. The battery life depends on the amount of time the computer is on, or on-time.



If the computer does not retain the correct time and date, replace the battery.



ATTENTION: A risk of fire and chemical burn exists if the battery is not handled properly:

- Do not disassemble, crush, puncture, or short external contacts.
- Do not expose the battery to temperatures higher than the rated temperature ranges in [Table 18 on page 116](#).
- Do not dispose of a used battery in water or fire.

For safety information on how to handle lithium batteries, see Guidelines for Handling Lithium Batteries, publication [AG-5.4](#).

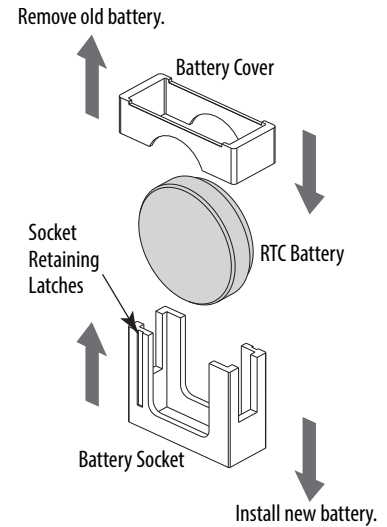
Follow these steps to replace the RTC battery.

IMPORTANT Depending on your model, replace with a similar CR2450-type coin battery rated for at least a 0...85 °C (32...185 °F) operating temperature range.

1. Follow the steps for [Pre-configuration on page 42](#).
2. Remove the computer cover as detailed in [Remove the Cover on page 43](#).

3. If necessary, remove any accessory boards or cables that prevent access to the RTC battery socket.

4. Remove the old battery.
 - a. Pull the battery cover straight out of the battery socket.
 - b. Pull the old battery from its socket.



5. Install the new battery.
 - a. Insert the new battery with the positive polarity (+) side nearest the SO-DIMM memory slots.

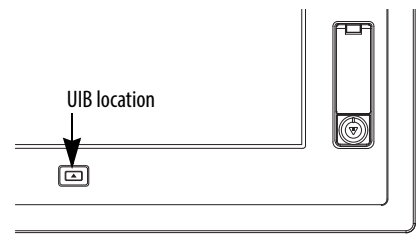
Verify that the battery is seated completely.

TIP The socket retaining latches allow only one way for the battery to be installed.

- b. Reinstall the battery cover.
6. Follow the steps for [Post-configuration on page 43](#).

7. During POST, press F2 on an attached keyboard or press the UIB⁽¹⁾ to access the UEFI setup and reconfigure settings.

For more information on UEFI setting, see [page 76](#).



IMPORTANT If you replace the battery, then all UEFI settings return to their default settings. UEFI settings other than default must be reconfigured after you replace the battery.



This computer contains a sealed lithium battery that could need replacement over the life of the computer. At the end of its life, collect the battery contained in this computer separately from any unsorted municipal waste.

(1) The UIB is only on the front of display computers with aluminum bezels.

Replace the Power Supply Unit

Follow these steps to replace the power supply unit (PSU).

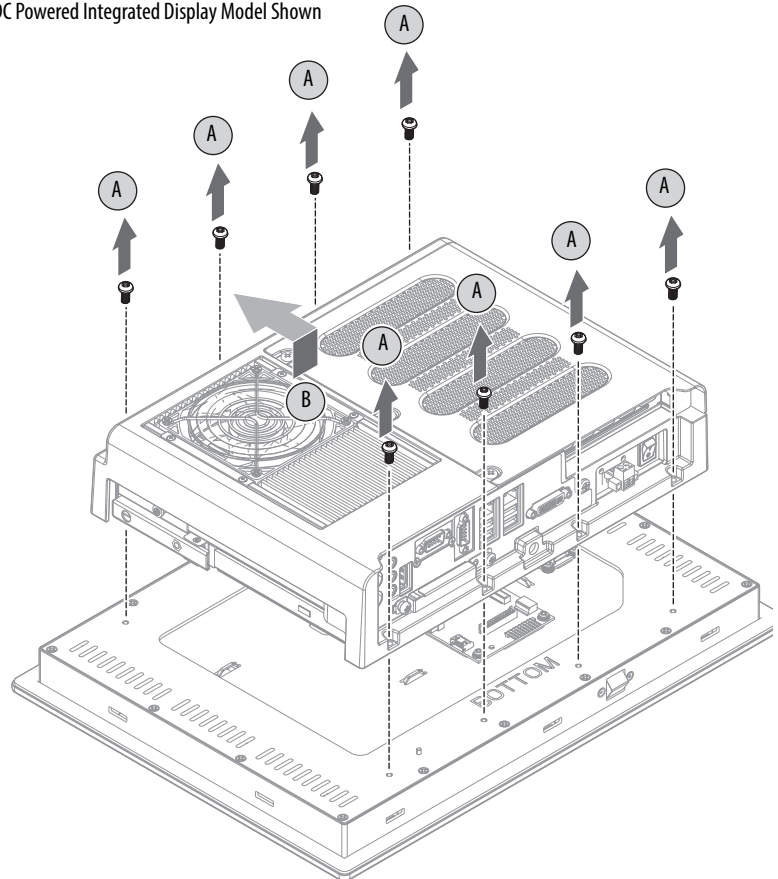
IMPORTANT Use an antistatic wriststrap that is connected to the work surface and properly grounded tools and equipment when you handle internal computer components.

Table 5 - Available Power Supply Units

Cat. No.	Description
6189V-PSU6181AC	AC power supply unit
6189V-PSU6181DC	DC power supply unit

1. Follow the steps for [Pre-configuration on page 42](#).
2. Place the computer on a flat, steady surface so the rear cover is faced upward.
3. Remove the eight screws that secure the computer to the display panel (A).
4. Lift and slide the computer forward so you can unplug the display cables (B).

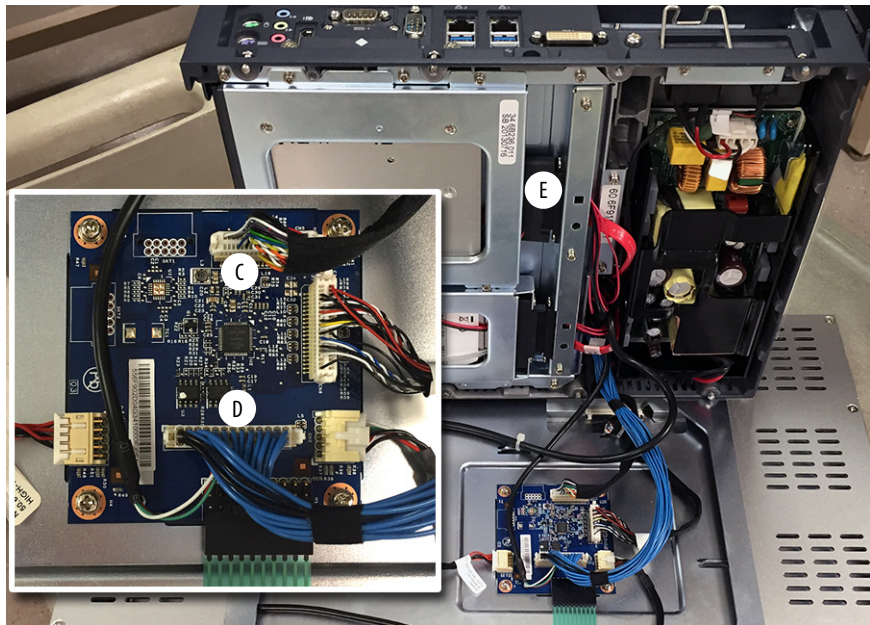
DC Powered Integrated Display Model Shown



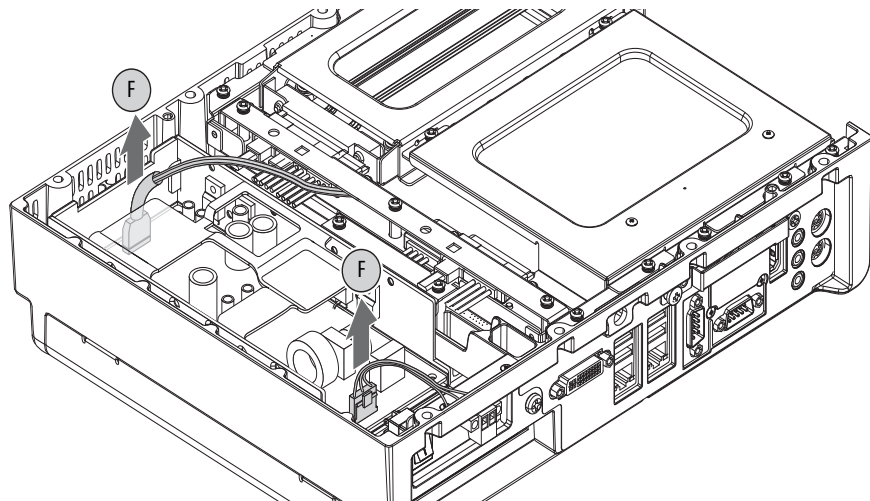
5. Disconnect the eDP signal (C) and panel (D) cables from the panel adapter board.

IMPORTANT For display computers with aluminum bezels, do not disconnect the USB 3.0 cable between the motherboard and front bezel USB port. If necessary, cut cable ties so the computer can be 'hinged' into a safe work position while the USB 3.0 cable remains connected. The USB 3.0 cable is fragile so keep it connected to avoid any possible damage. Replacement cable ties are supplied with the replacement power supply.

6. Lift the computer (E) off the display panel.



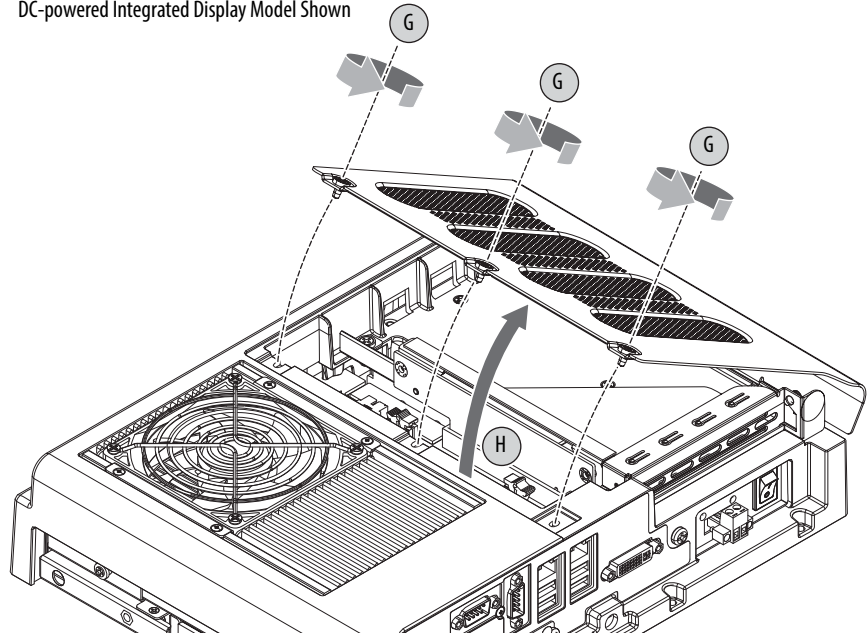
7. Turn over the computer to access the PSU.
8. **For DC-powered display computer models:** remove the screws that secure the two power connectors (F) from the PSU.



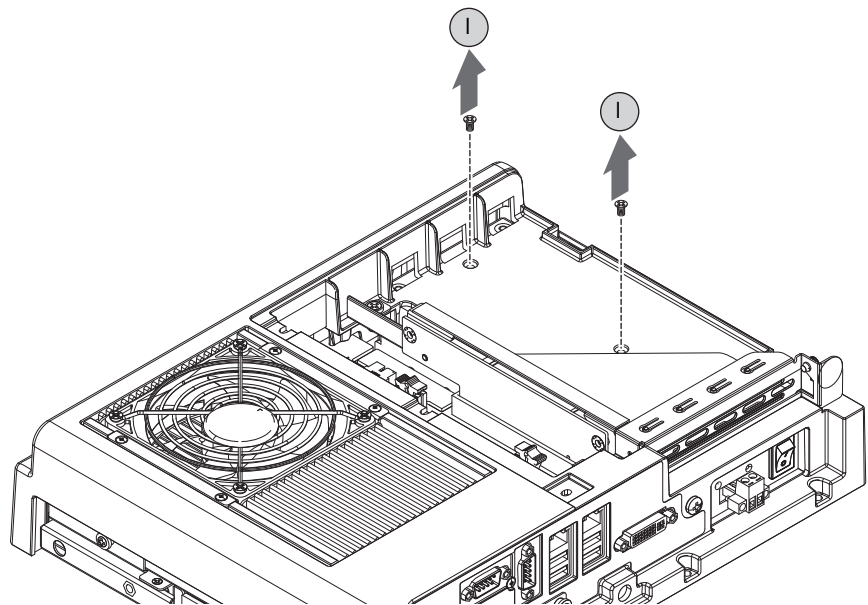
9. Disconnect the two power connectors (F).

10. Turn over the computer to access the rear cover.
11. Remove the rear cover.
 - a. Loosen the three screws that secure the rear cover (G).
 - b. Open the cover and detach it from the chassis (H).

DC-powered Integrated Display Model Shown

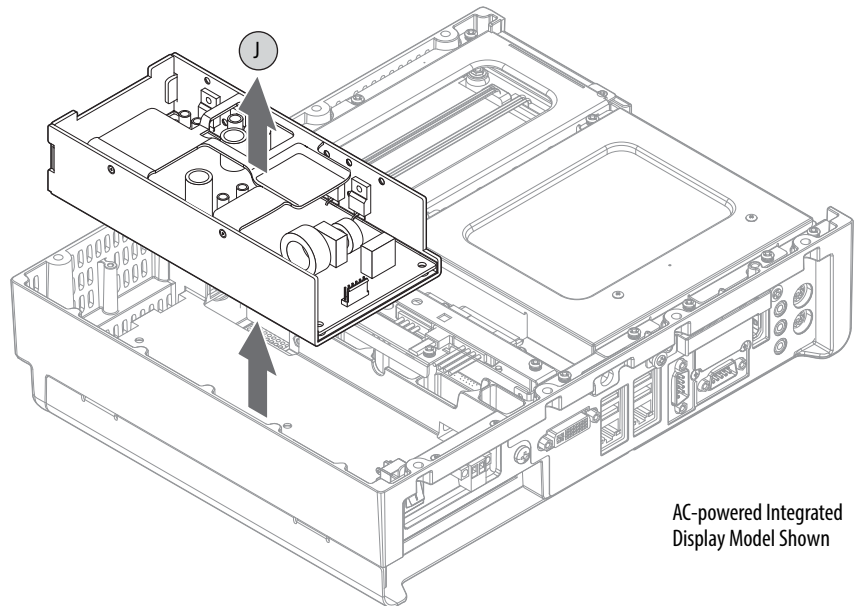


12. Remove the two screws (I) that secure the PSU to the chassis.



13. Turn over the computer to access the PSU.

14. Remove the PSU (J).



15. Install the new PSU in the reverse order of the removal steps.

- a. Torque the two screws to 1.4 N•m (12 lb•in) to secure the new PSU.
- b. Before you reinstall the computer to the display unit, verify that the following are properly connected:
 - the two PSU power connectors and their screws
 - the eDP signal and panel cables
- c. Remove and replace any cut cable ties.

16. Follow the steps for [Post-configuration on page 43](#).

Replace the Optical Disk Drive

Only Advanced models are sold with an optical disk drive (ODD) installed. Follow these steps to replace an optical disk drive (ODD).

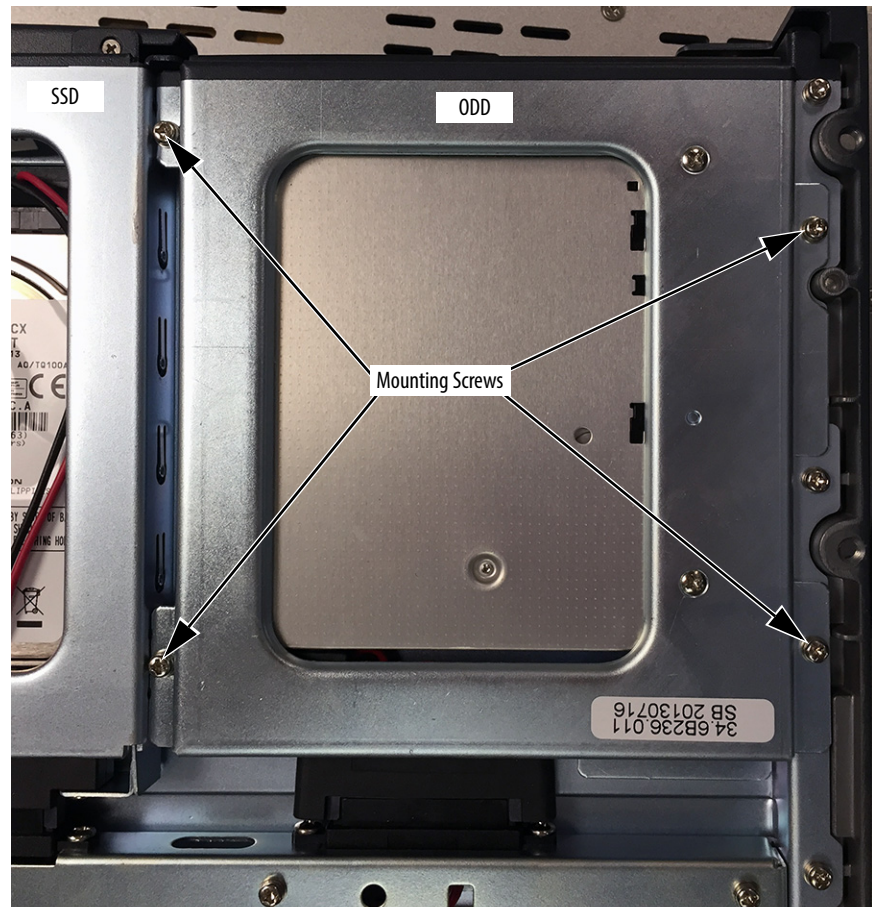
IMPORTANT Use an antistatic wriststrap that is connected to the work surface and properly grounded tools and equipment when you handle internal computer components.

Table 6 - Available ODD

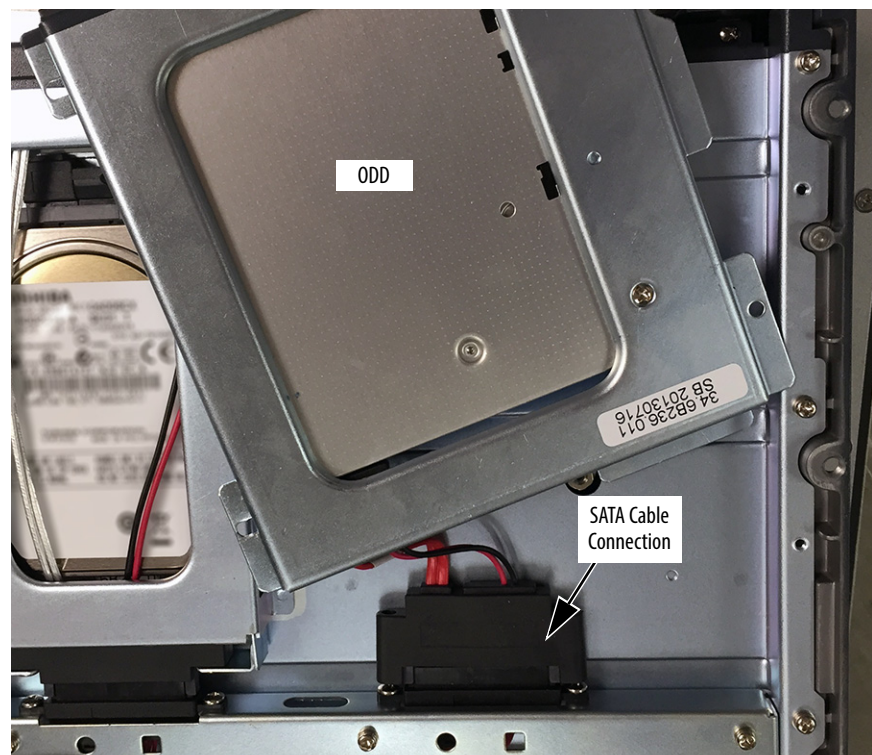
Cat. No.	Description
6189V-ODD	Optical disk drive (ODD) and four mounting screws

1. To access the ODD bay, follow steps 1...6 for [Replace the Power Supply Unit on page 51](#).
2. Turn over the computer to access the ODD.
The ODD is next to the solid-state drive (SSD).

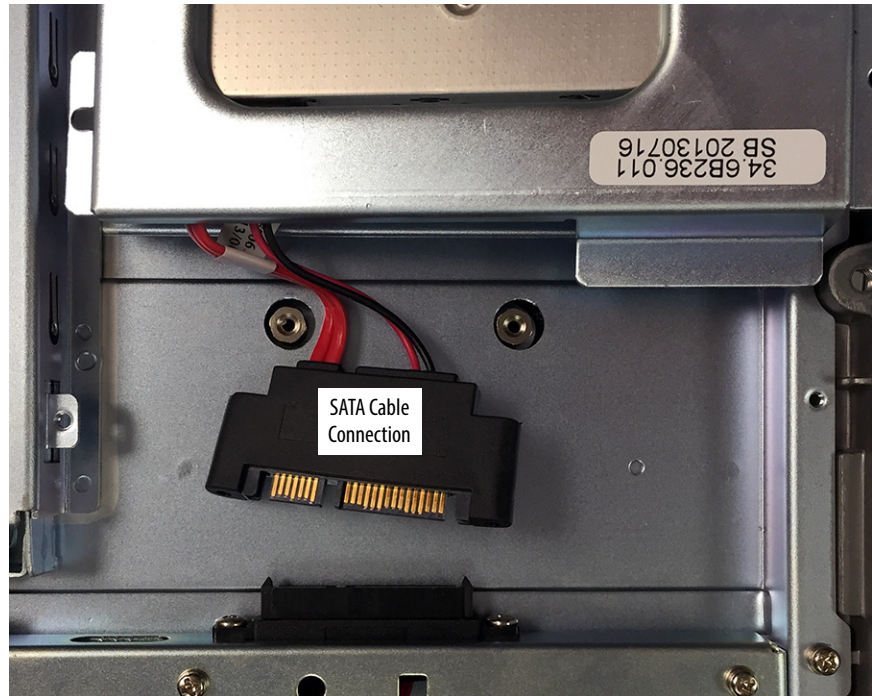
3. Locate and remove the four mounting screws for the ODD.



4. Move the loosened ODD until you can access its SATA cable.

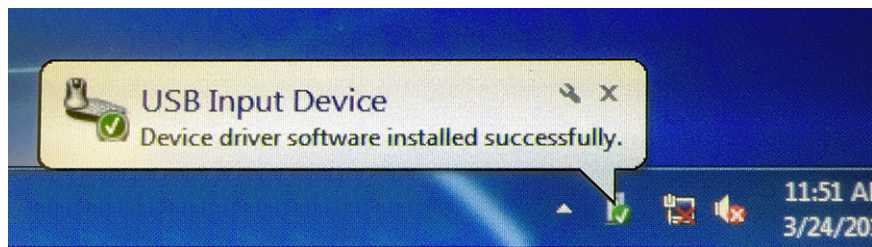


5. Gently pry the SATA cable away from its terminal connection.



6. Discard this ODD.
See [Dispose of the Computer on page 102](#) for how to safely dispose the ODD.
7. Plug in the SATA cable of the new ODD.
8. Install the new ODD with the four supplied screws.
9. Reassemble the computer in the reverse order of the removal steps.
10. Follow the steps for [Post-configuration on page 43](#).

When you restart the computer, it will automatically detect the ODD in the BIOS and OS, so no additional configuration is needed.



UEFI Set-up Utility

Chapter Objectives

This chapter provides information about the set-up utility, which includes an overview of set-up utility settings that you can change and how to upgrade to a new universal extensible firmware interface (UEFI). In this chapter, UEFI replaces Basic Input/Output System (BIOS) to describe the system firmware except where BIOS is specifically used, such as on a graphical interface.

The chapter covers the following topics:

- [Set-up Utility Overview](#)
- [Access the Set-up Utility](#)
- [Set-up Screen Overview](#)
- [Firmware Update](#)
- [Firmware Configuration](#)
- [Diagnostics](#)
- [AMI Rescue](#)
- [Hardware History](#)
- [Exit](#)

Set-up Utility Overview

The set-up utility is a hardware configuration program built into the UEFI. The UEFI is already configured and optimized so there is no need to run this utility. However, you can run the set-up utility to do the following:

- Change the system configuration.
- Change the UEFI setup when a configuration error is detected by the system.
- Redefine communication ports to prevent any conflicts.
- Read the current amount of system memory.
- Change the boot drive order.
- Set or change the password or make other changes to the security settings.
- Upgrade the system firmware.
- Run the diagnostic utility to determine the cause of system malfunction.
- Restore or back up the operating system.

Access the Set-up Utility

Follow these steps to access the set-up utility in your computer.

1. Start your computer.
2. During POST, you have two selections to access the set-up utility.

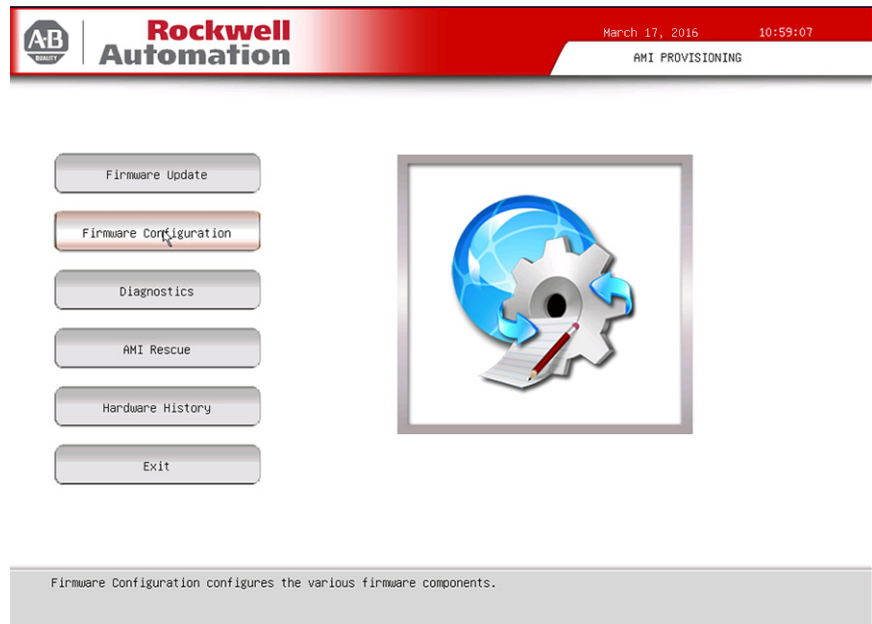
Press	Result
F2 or UIB on front of display ⁽¹⁾	Accesses a graphical interface of set-up environment. IMPORTANT: Screen shots in this chapter are from the UEFI graphical interface.
DEL (delete)	Accesses a text mode set-up environment.

(1) UIB is only available on display computers with aluminum bezels.

Set-up Screen Overview

The set-up screen is the main screen for the UEFI graphical interface. On the left are six menu buttons that are stacked vertically. Each menu button provides access to information, commands, or configurable options for the following topics:

- [Firmware Update](#)
- [Firmware Configuration](#)
- [Diagnostics](#)
- [AMI Rescue](#)
- [Restore OS Image From a USB Storage Drive](#)
- [Exit](#)



TIP The UEFI graphical interface can be driven with either the integrated touch screen or a keyboard and mouse. An On Screen Keyboard (OSK) pops up automatically when you enter an entry field.

Firmware Update

You can update your system firmware from the Firmware Update menu.



Parameter	Description
Browse	Click to navigate to the firmware file saved onto a media.
Firmware file location	Select or type the file name for the firmware file.
Update	Click to initialize the update process.
Exit	Click to exit the set-up utility.

Follow these steps to update the system firmware.

1. Click the Firmware Update menu.

The Firmware Update screen appears.

2. Click Browse to locate the firmware file.

IMPORTANT

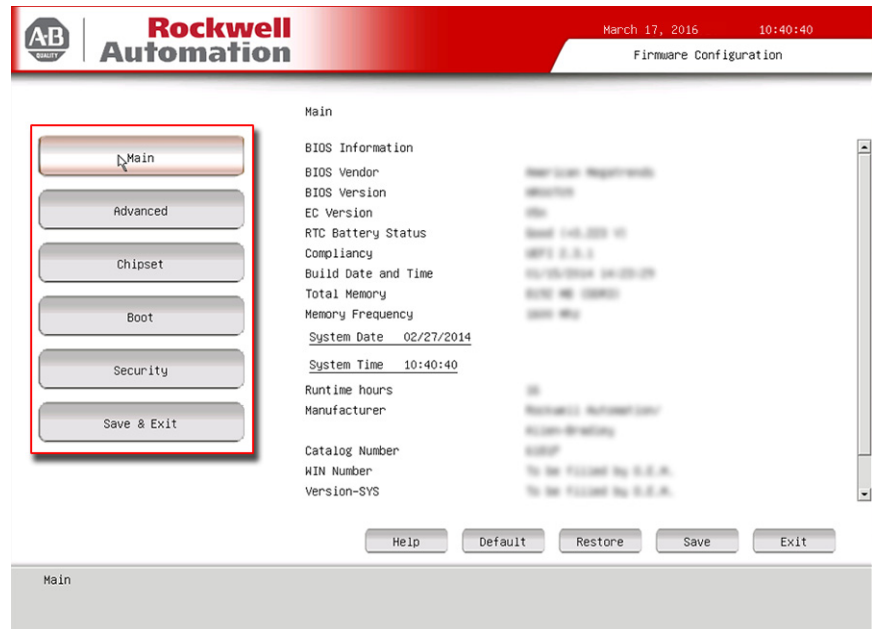
The USB mass storage device that contains the firmware file must be FAT, FAT16, or FAT32 formatted to be recognized.

See <http://www.rockwellautomation.com/compatibility/> to check for revisions and to download firmware files.

3. Click Update.

Firmware Configuration

You can view and modify the various system parameters from the Firmware Configuration menu. On the left are six menu options that are stacked vertically.



Menu	Description
Main	Use this menu to view general computer information and for basic system configuration.
Advanced	Use this menu to configure information for the PXE, PCI, ACPI, processor, SATA, USB, power, video graphics, super IO, hardware monitor, and AMT.
Chipset	Use this menu to configure system chipset information.
Boot	Use this menu to configure boot device priority.
Security	Use this menu to set or change user and administrator passwords.
Save & Exit	Saves changes and reset, discards changes and reset, or restore defaults.

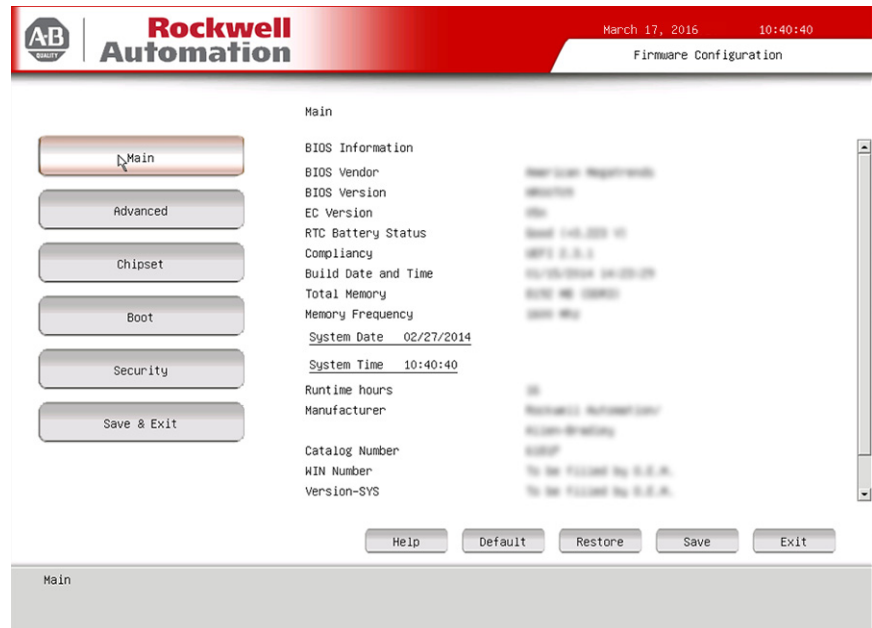
Common Buttons at the Bottom of Screens

Most screens have these common buttons.



Button	Description
Help	Click for general help on how to use the set-up utility.
Default	Click to load the default values for all the set-up options.
Restore	Click to restore all set-up options to previously saved values.
Save	Click to save configuration changes.
Previous (not shown)	Click to navigate to the previous screen.
Exit	Click to close the set-up utility.

Main



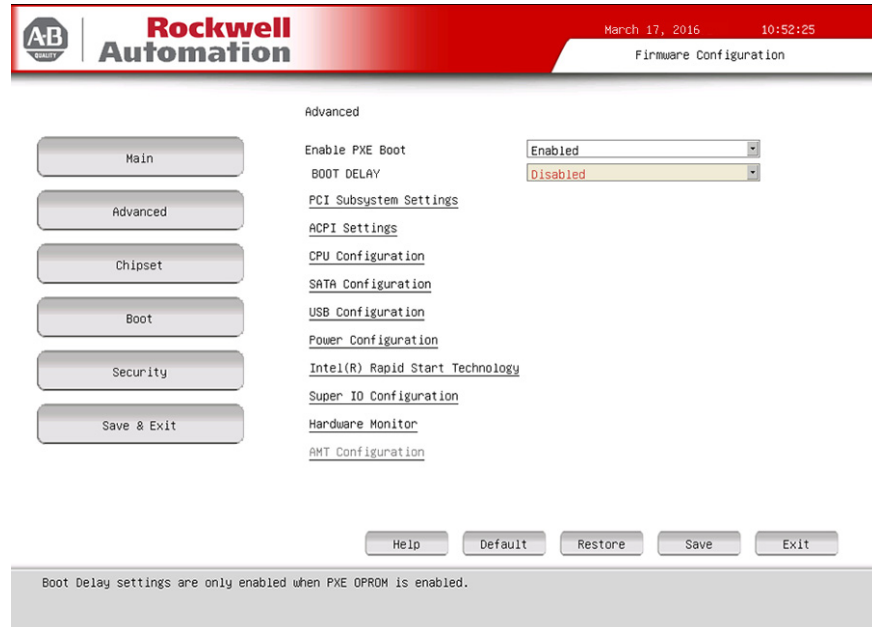
Parameter ⁽¹⁾	Description
BIOS Vendor	BIOS manufacturer
BIOS Version	BIOS version information
EC Version	EC version information
RTC Battery Status	Standby battery voltage
Compliance	UEFI version information
Build Date and Time	Date and time BIOS was created.
Total Memory	Total system memory and memory type (in parentheses)
Memory Frequency	Frequency of installed memory
System Date	Set the system date. Format: Weekday MM:DD:YYYY (Weekday Month:Day:Year)
System Time	Set the system time. Format: HH:MM:SS (Hour:Minute:Second)
Runtime Hours	Records the total hours of computer runtime.
Manufacturer	System manufacturer
Catalog Number	Allen-Bradley® catalog number with series letter
WIN Number	Warranty information number
Version-SYS	System version, manufacture date
Version-Board	System board version information
Serial Number	Unique system serial number

(1) See [page 60](#) for an explanation of common buttons near the bottom of screen.

Advanced

Enable PXE Boot

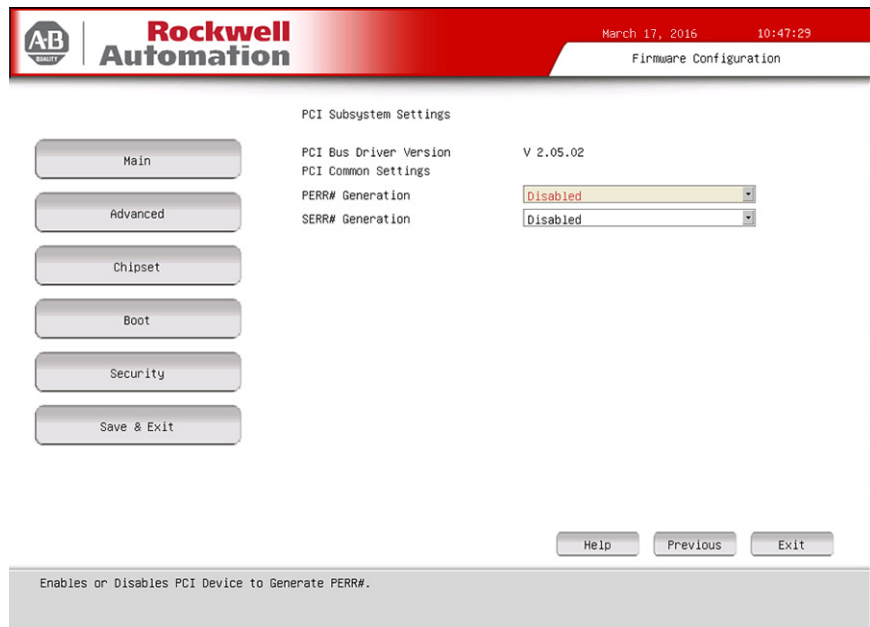
When PXE boot is enabled, a computer boots from a server on a network before it boots the operating system on the local storage drive.



Parameter ⁽¹⁾	Description
Enable PXE Boot	Enables or disables boot option for legacy network devices. Options: Enabled or Disabled (default)
Boot Delay	Enables or disables boot delay, which delays the boot process by the time selected. Options: Disabled (default), 100s, 200s, 300s (seconds) IMPORTANT: This data field is only visible when PXE boot is enabled.

(1) See [page 60](#) for an explanation of common buttons near the bottom of screen.

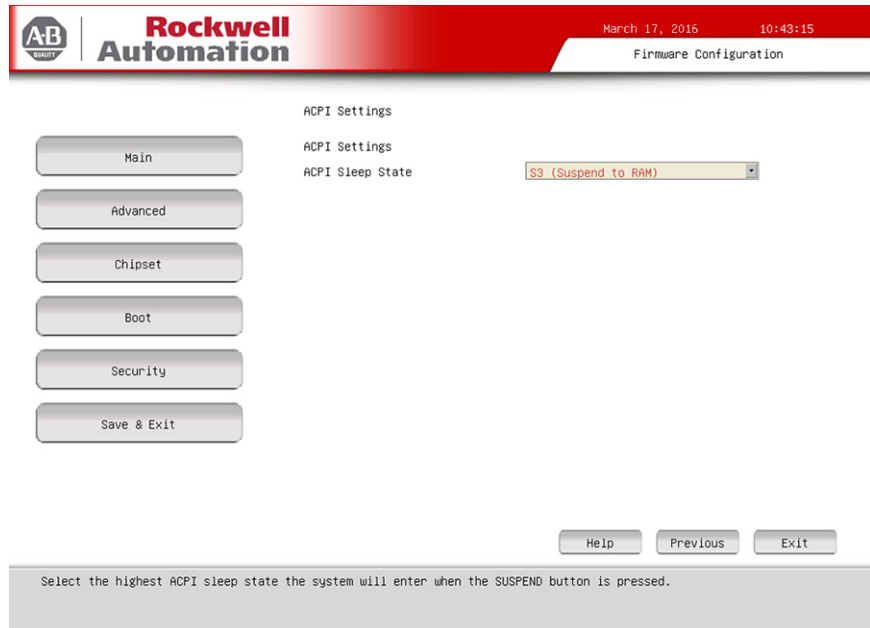
PCI Subsystem Settings



Parameter ⁽¹⁾	Description
PCI Bus Driver Version	Displays the PCI bus driver version information.
PERR# Generation	Enables or disables PCI Device to Generate PERR#. Options: Enabled or Disabled (default)
SERR# Generation	Enables or disables PCI Device to Generate SERR#. Options: Enabled or Disabled (default)

(1) See [page 60](#) for an explanation of common buttons near the bottom of screen.

ACPI Settings



Parameter ⁽¹⁾	Description
ACPI Sleep State	Use to set the ACPI sleep state and manage power. Suspend Disabled: Computer power is totally removed by a mechanical switch. S3 (default): RAM remains powered on.

(1) See [page 60](#) for an explanation of common buttons near the bottom of screen.

CPU Configuration

Rockwell Automation | March 17, 2016 | 10:43:57 | Firmware Configuration

CPU Configuration

CPU Configuration
Intel(R) Core(TM) i7-4700EQ CPU @ 2.40GHz

Processor Cores: 4
CPU Speed: 2800 MHz
64-bit: Supported

Hyper-threading: **Enabled** (dropdown)
Intel Virtualization Technology (VT-x): **Disabled** (dropdown)
Intel Virtualization Technology for Directed I/O (VT-d): **Disabled** (dropdown)

Main | Advanced | Chipset | Boot | Security | Save & Exit

Help | Previous | Exit

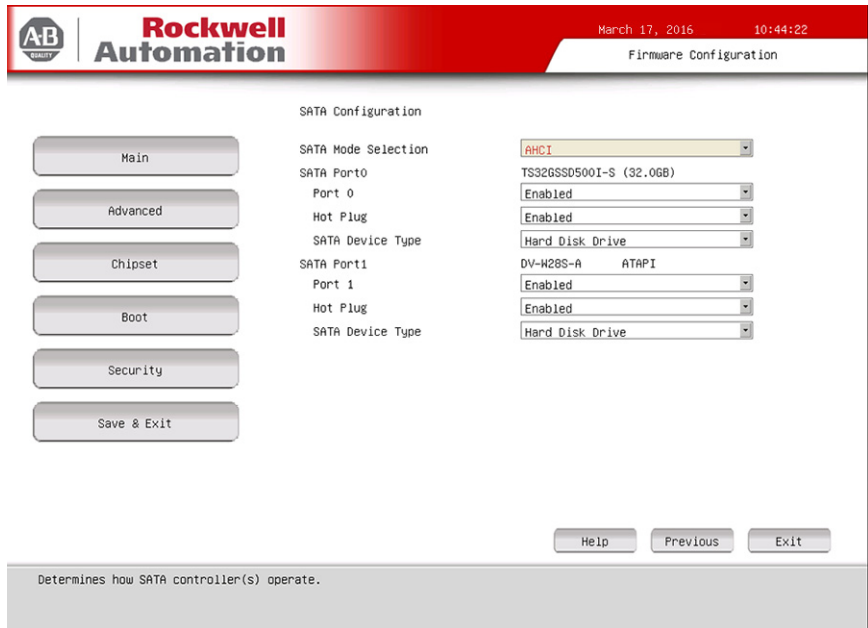
Enabled for Windows XP and Linux (OS optimized for Hyper-Threading Technology) and Disabled for other OS (OS not optimized for Hyper-Threading Technology). When Disabled only one thread per enabled core is enabled.

Parameter ⁽¹⁾	Description
CPU Configuration	Displays processor type and maximum speed.
Processor Cores	Displays processor core count.
CPU Speed	Displays maximum speed of the processor.
64-bit	Displays 64-bit support status.
Hyper-threading	Enables or disables the hyper-threading technology. Options: Enabled (default) or Disabled
Intel Virtualization Technology (VT-x)	When enabled, a Virtual Memory Manager (VMM) can use the extra hardware capabilities provided by Vanderpool Technology. Options: Enabled or Disabled (default)
Intel Virtualization Technology for Directed I/O (VT-d) ⁽²⁾	Enables or disables VT-d. Options: Enabled or Disabled (default)

(1) See [page 60](#) for an explanation of common buttons near the bottom of screen.

(2) Supported on computers with Intel i7-4700EQ processors.

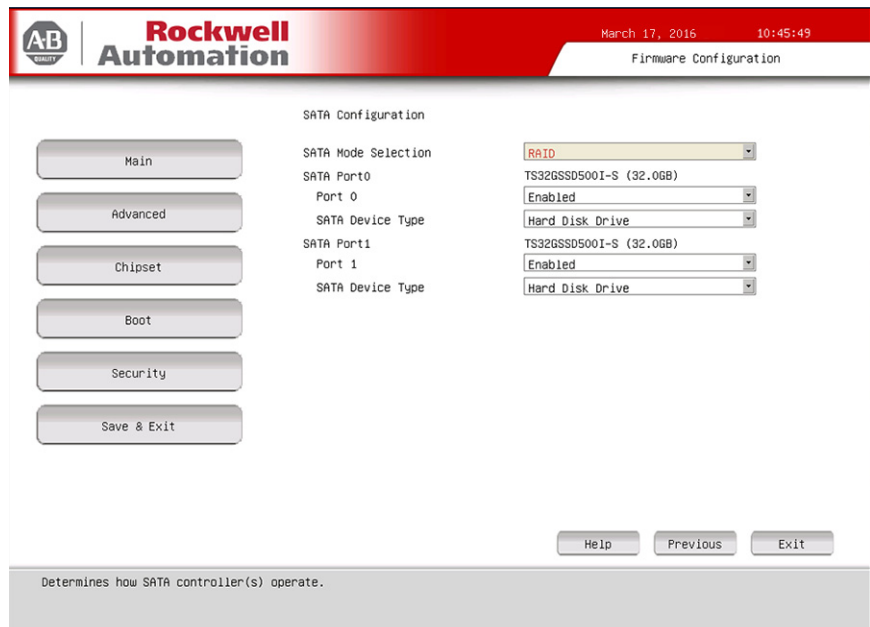
SATA Configuration (AHCI mode)



Parameter ⁽¹⁾	Description
SATA Mode Selection	Select an operation mode for the onboard SATA controller. In this case, the AHCI mode (default) is selected.
SATA Port (0, 1)	Indicates the SATA drive connected to the SATA connector.
Port (0, 1)	Enables or disables the SATA drive connected to the SATA port. Options: Enabled (default) or Disabled
Hot Plug	Enables or disables hot plug support for the SATA port. Options: Enabled (default) or Disabled IMPORTANT: Make sure all writes to the drive are complete before you remove the drive from the system to avoid the risk of data corruption.
SATA Device Type	Indicates the drive type connected to the SATA port. Options: Hard Disk Drive (default) or Solid State Drive

(1) See [page 60](#) for an explanation of common buttons near the bottom of screen.

SATA Configuration (RAID mode)

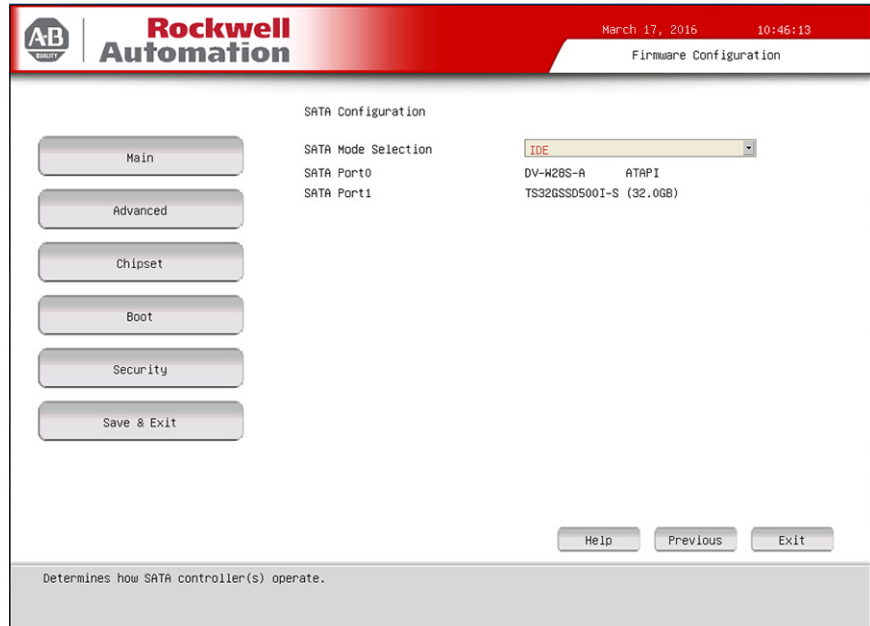


Parameter ⁽¹⁾	Description
SATA Mode Selection	Select an operation mode for the onboard SATA controller. In this case, RAID mode is selected. ⁽²⁾
SATA Port (0, 1)	Indicates the drive make, model, and size.
Port (0, 1)	Enables or disables the SATA port. Options: Enabled (default) or Disabled
SATA Device Type	Indicates the SATA drive type connected to the SATA connector. Options: Hard Disk Drive (default) or Solid State Drive

(1) See [page 60](#) for an explanation of common buttons near the bottom of screen.

(2) Applies only to computers that ship with the Windows Server 2008 R2 operating system.

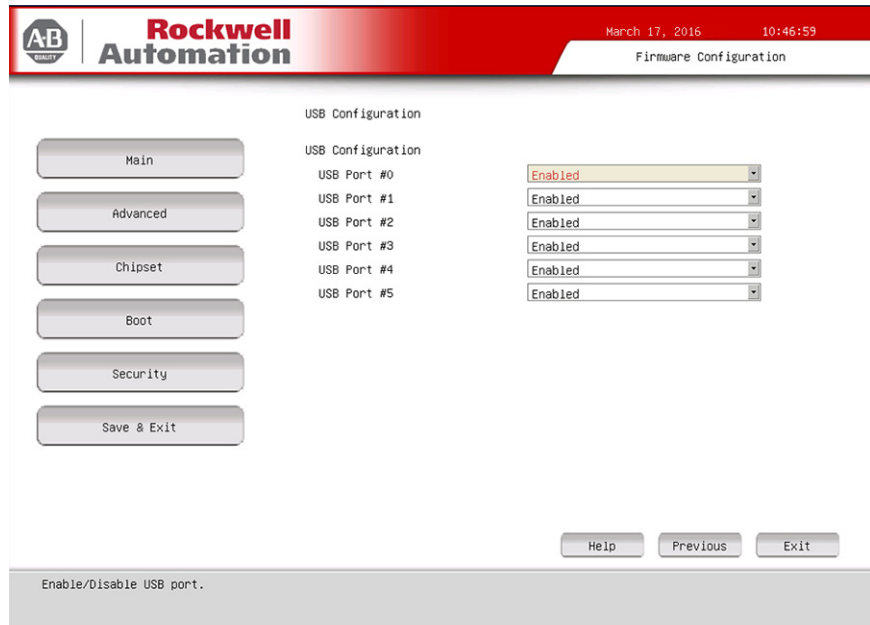
SATA Configuration (IDE mode)



Parameter ⁽¹⁾	Description
SATA Mode Selection	Select an operation mode for the onboard SATA controller. In this case, the IDE mode is selected.
SATA Port (0, 1)	Indicates the drive make, model, and size.

(1) See [page 60](#) for an explanation of common buttons near the bottom of screen.

USB Configuration

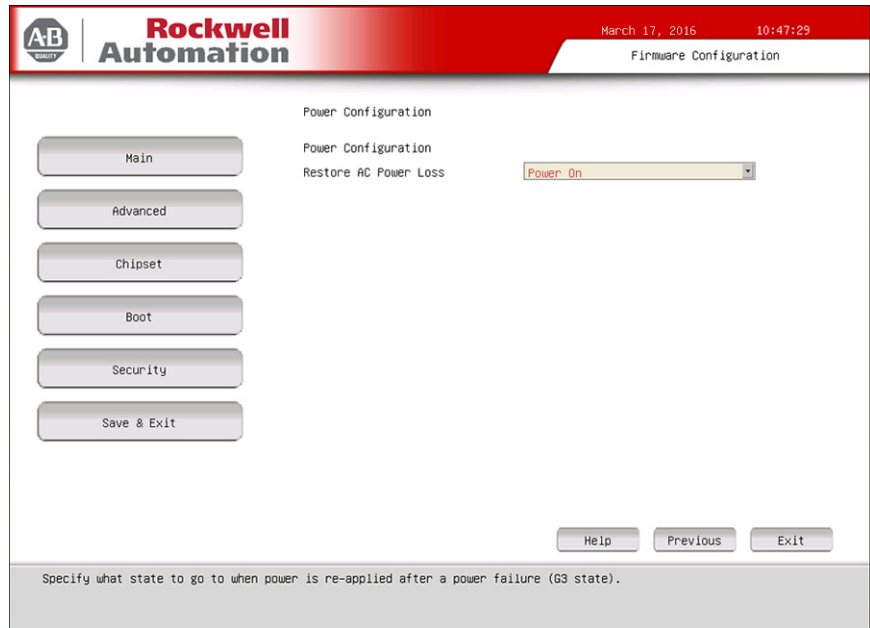


Parameter ⁽¹⁾	Description
USB Ports	<p>Enables or disables a USB port. Options: Enabled (default) or Disabled Port #0: Front⁽²⁾ of computer Ports #1...#4: Bottom of computer Port #5: Internal (on motherboard; see page 15 for its location)</p> <p>IMPORTANT: If you disable a USB port, it reduces access risk from unauthorized or malicious sources.</p>

(1) See [page 60](#) for an explanation of common buttons near the bottom of screen.

(2) Applies only to display computers with aluminum bezel.

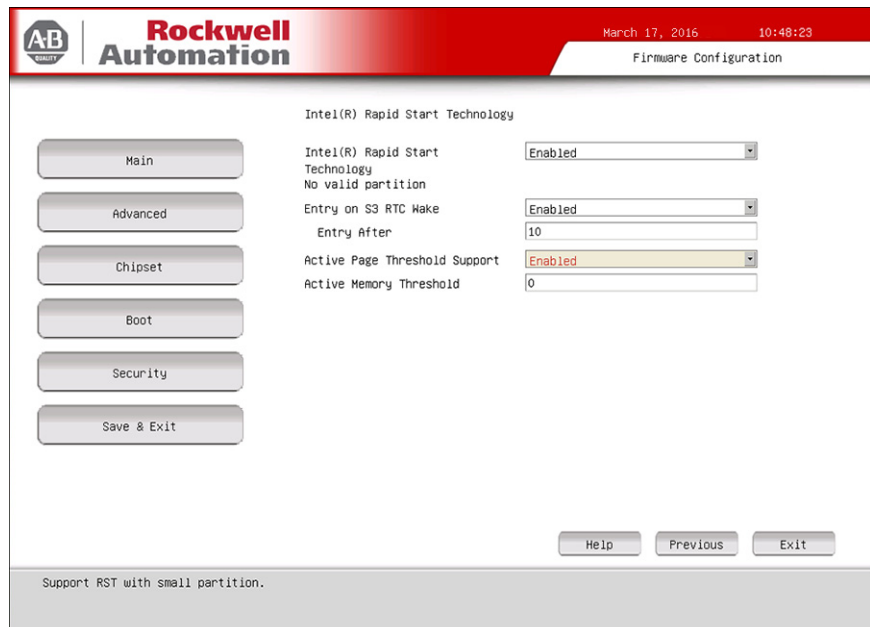
Power Configuration



Parameter ⁽¹⁾	Description
Restore AC Power Loss	Specify what state to go to when power is reconnected after a power failure (G3 state). Options: Power off, Power on (default), Last State

(1) See [page 60](#) for an explanation of common buttons near the bottom of screen.

Intel® Rapid Start Technology

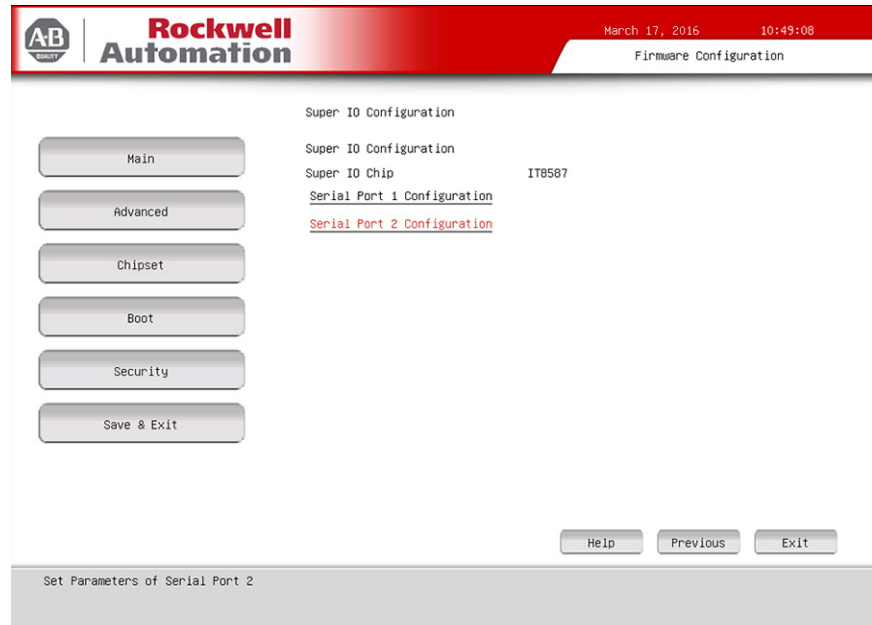


Parameter ⁽¹⁾	Description
Intel® Rapid Start Technology	Enables or disables Intel Rapid Start Technology. Options: Enabled or Disabled (default) IMPORTANT: The SSD must first have a private partition allocated that is equal in size to the computer RAM.
Entry on S3 RTC Wake ⁽²⁾	Enables or disables Rapid Start invocation upon S3 RTC wake. Options: Enabled (default) or Disabled
Entry After ⁽²⁾	Enables or disables RTC wake timer at S3 entry. Number range: 10 (default) or 0 . . . 120 (all in seconds)
Active Page Threshold Support ⁽²⁾	Enables or disables support for Rapid Start Technology when the partition size is less than the amount of memory in the system. Options: Enabled or Disabled (default)
Active Memory Threshold ⁽²⁾	Enables the system to support Rapid Start Technology when the partition size is greater than the Active Page Threshold size in MB. When set to 0 (auto mode), it checks if partition size is enough at S3 entry. Options: 0 (default), 1 . . . 65535

(1) See [page 60](#) for an explanation of common buttons near the bottom of screen.

(2) This data field is visible only when the Intel® Rapid Start Technology data field is enabled.

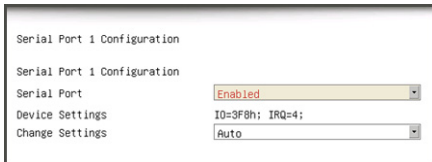
Super I/O Configuration



Parameter ⁽¹⁾	Description
Super I/O Chip	Displays the Super I/O chipset information.
Serial Port 1 Configuration	Select to set parameters for serial port 1.
Serial Port 2 Configuration	Select to set parameters for serial port 2.

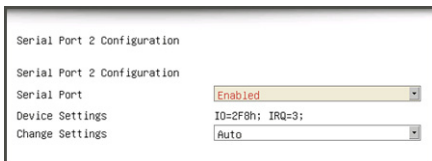
(1) See [page 60](#) for an explanation of common buttons near the bottom of screen.

Table 7 - Serial Port 1 Configuration



Parameter	Description
Serial Port	Enables or disables the serial (COM1) port. Options: Enabled (default) or Disabled
Device Settings	Displays the Base I/O address and IRQ setting of serial port 1.
Change Settings	Select an optimal setting for the super I/O device. Options: Auto (default), IO=3F8h; IRQ=4, IO=2F8h; IRQ=4, IO=3E8h; IRQ=4, IO=2E8h; IRQ=4

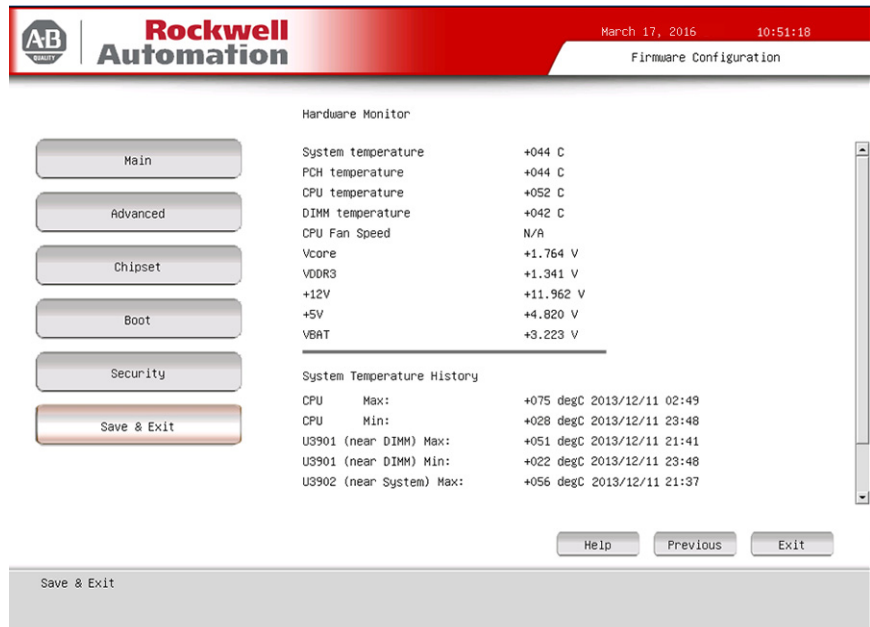
Table 8 - Serial Port 2 Configuration



Parameter	Description
Serial Port	Enables or disables the serial (COM2) port. Options: Enabled (default) or Disabled
Device Settings	Displays the Base I/O address and IRQ setting of serial port 2.
Change Settings	Select an optimal setting for the super I/O device. Options: Auto (default), IO=2F8h; IRQ=3, IO=3F8h; IRQ=3, IO=3E8h; IRQ=3, IO=2E8h; IRQ=3

Hardware Monitor

For an explanation of this feature, see [Hardware Monitor on page 18](#).



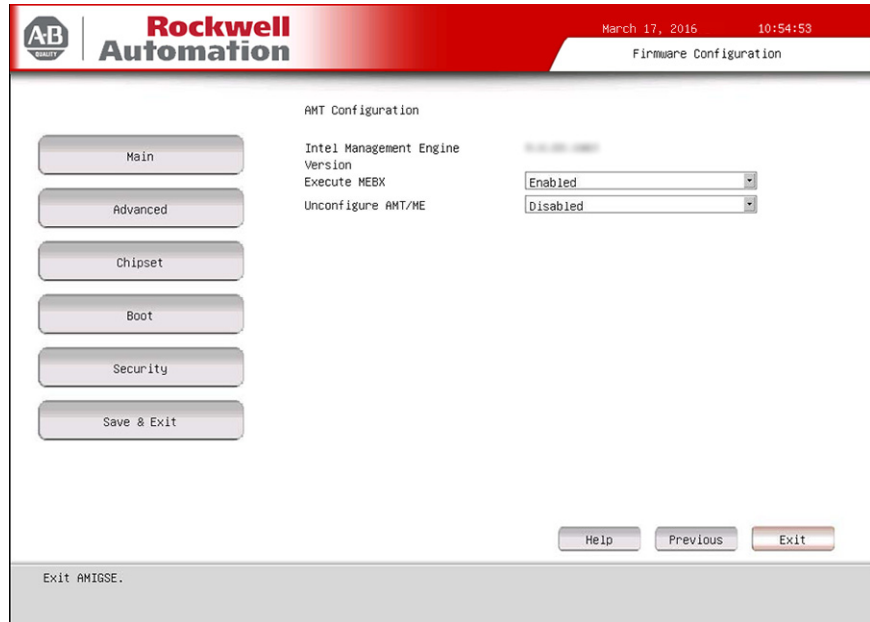
Parameter ⁽¹⁾	Description
Hardware Monitor	
System temperature	Displays the current temperatures and core voltages of various hardware components. All values are read-only.
PCH temperature	
CPU temperature	
DIMM temperature	
CPU Fan Speed ⁽²⁾	
Vcore	
VDDR3	
+12V	
+5V	
VBAT	
System Temperature History	
CPU Max:	Displays the minimum and maximum temperatures for the CPU and applicable sensors over a 24-hour time period (time stamp is 24-hour clock). All values are read-only.
CPU Min:	
U3901 (near DIMM) Max:	
U3901 (near DIMM) Min:	
U3902 (near System) Max:	
U3902 (near System) Min:	
U3904 (near PCH) Max:	
U3904 (near PCH) Min:	

(1) See [page 60](#) for an explanation of common buttons near the bottom of screen.

(2) This data field is visible only on computers with an Intel i7-4700EQ processor.

AMT Configuration

For an explanation of this feature, see [Intel Active Management Technology \(AMT\) 9.0 on page 18](#).

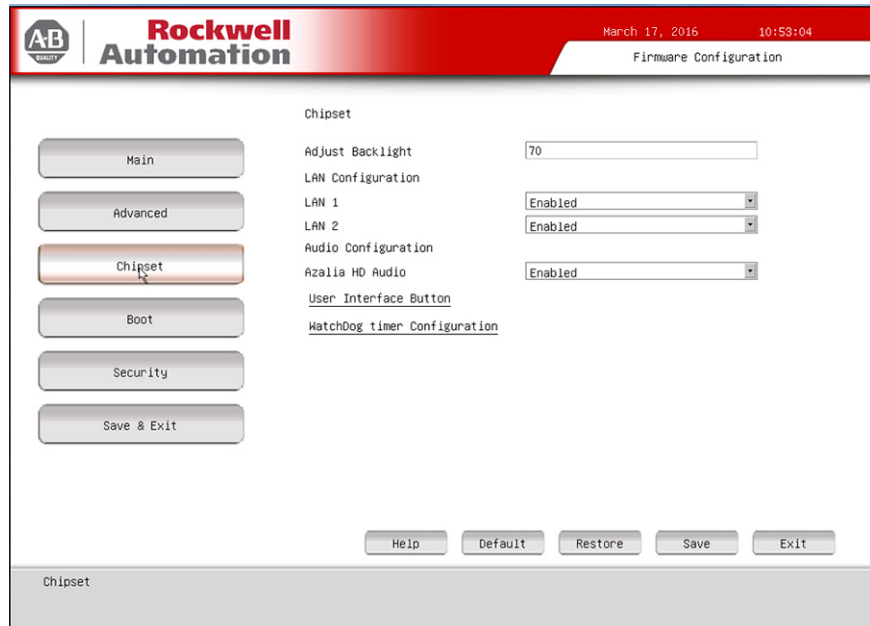


IMPORTANT AMT configuration is only available on Advanced computer models. See [page 11](#) to see if your computer qualifies.

Parameter ⁽¹⁾	Description
Intel Management Engine Version	Displays the Intel Management Engine version.
Execute MEBx	Enables the Management Engine BIOS Extension (MEBx), which is accessed by pressing CTRL+P at POST. This function is used to configure AMT. Options: Enabled or Disabled (default)
Unconfigure AMT/ME	Lets you unconfigure any provisioned management settings for AMT/ME. Options: Enabled or Disabled (default) IMPORTANT: 'Unconfigure AMT/ME' appears only when 'Execute MEBx' is enabled.

(1) See [page 60](#) for an explanation of common buttons near the bottom of screen.

Chipset



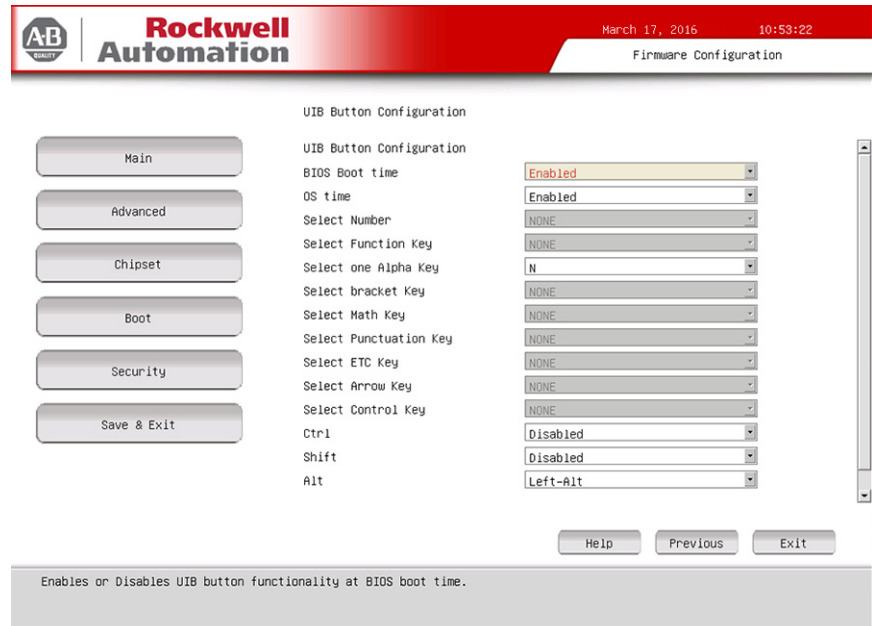
Parameter ⁽¹⁾	Description
Adjust Backlight	Adjust the internal LCD LED backlight brightness. Number range: 1 to 100 with 100 as full (100%) brightness; 70 is default. IMPORTANT: Increasing the brightness from the default setting reduces the life of the LED backlight, particularly at high temperatures.
LAN 1	Enables or disables onboard LAN1 controller. Options: Enabled (default) or Disabled
LAN 2	Enables or disables onboard LAN2 controller. Options: Enabled (default) or Disabled
Azalia HD Audio	Enables or disables Azalia HD audio. Options: Enabled (default) or Disabled
User Interface Button	Select this item to set parameters for the user interface button.
Watchdog timer Configuration	Select this item to set parameters for the watchdog timer.

(1) See [page 60](#) for an explanation of common buttons near the bottom of screen.

User Interface Button (UIB)

To access the UIB configuration screen, do the following.

1. On computer startup, enter the BIOS/UEFI.
2. On the Main screen, click Firmware Configuration.
3. On the Firmware Configuration screen, click Chipset.
4. On the Chipset screen, click User Interface Button.



IMPORTANT This screen is only available on display computers with aluminum bezels.

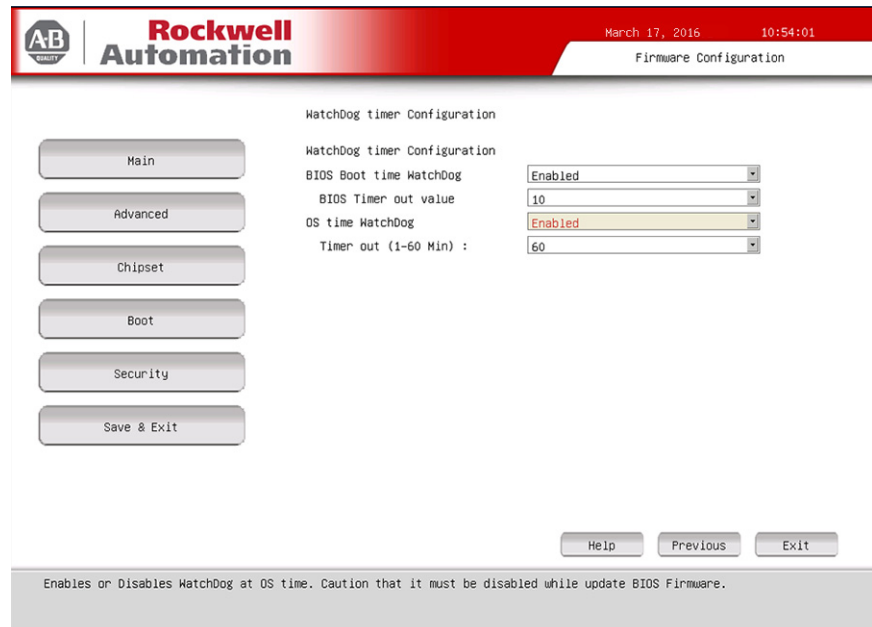
Parameter ⁽¹⁾	Description
BIOS Boot time	Enables or disables UIB access to UEFI menu during POST. Options: Enabled (default) or Disabled
OS time	Enables or disables UIB functionality at OS time. Options: Enabled (default) or Disabled
Select Number	Select a number key to represent UIB. Options: None (default) or 0...9
Select Function Key	Select a function key to represent UIB. Options: None (default) or F1...F12
Select one Alpha Key	Select an alphabet letter (Alpha) key to represent UIB. Options: N (default), a...z, or A...Z
Select bracket key	Enables or disables key combination with bracket key. Options: None (default) or (,), [,], {, }, <, >
Select Math key	Enables or disables key combination with Math key. Options: None (default) or =, +, -
Select Punctuation key	Enables or disables key combination with punctuation key. Options: None (default) or `; ': " , ? . ! &
Select ETC key	Enables or disables key combination with ETC key. Options: None (default) or ~, @, #, \$, %, ^, *, _ \, /, , space bar
Select Arrow key	Enables or disables key combination with arrow key. Options: None (default) or Up, Down, Right, Left

Parameter ⁽¹⁾	Description
Ctrl	Enables or disables key combination with CTRL key. Options: Disabled (default), Left-CTRL, or Right-CTRL
Shift	Enables or disables key combination with Shift key. Options: Disabled (default), Left-Shift, or Right-Shift
Alt	Enables or disables key combination with ALT key. Options: Disabled, Left-ALT (default), or Right-ALT

(1) See [page 60](#) for an explanation of common buttons near the bottom of screen.

Watchdog Timer

For an explanation of this feature, see [Watchdog Timer on page 18](#).



Parameter ⁽¹⁾	Description
BIOS Boot time WatchDog	Enables or disables BIOS boot timeout. Options: Enabled or Disabled (default)
BIOS Timer Out value ⁽²⁾	Set BIOS timer timeout value (10, 20, or 30 minutes). 10 is default.
OS time WatchDog	Enables or disables OS timeout. Options: Enabled or Disabled (default)
Timer Out (1-60 Min) ⁽³⁾	Set WatchDog timer timeout value (1...60 minutes) in 1 minute increments. 60 is default.

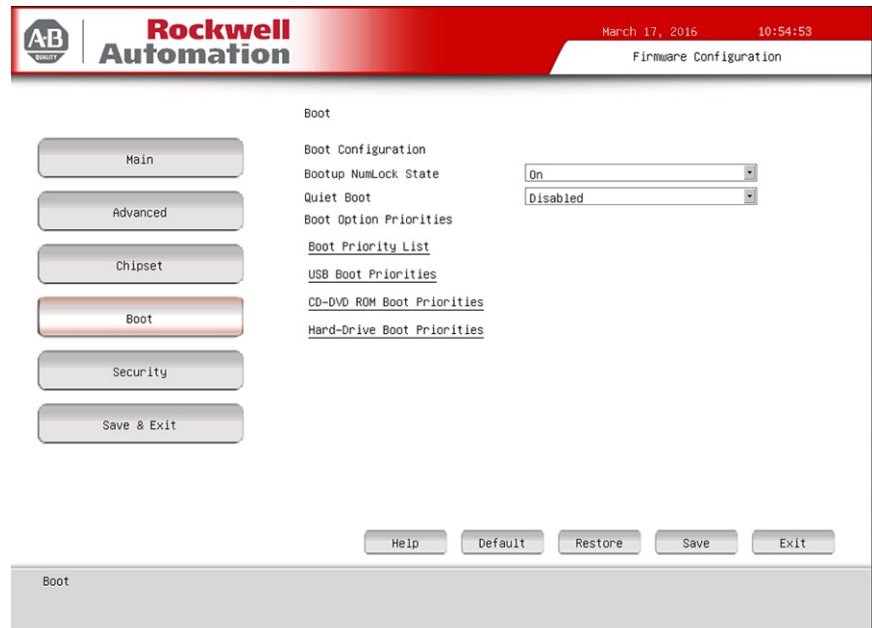
(1) See [page 60](#) for an explanation of common buttons near the bottom of screen.

(2) This field is only visible when BIOS Boot time Watchdog is enabled.

(3) This field is only visible when OS time Watchdog is enabled.

IMPORTANT If you enable the BIOS Boot time Watchdog, then it must be disabled before you update the BIOS firmware.

Boot

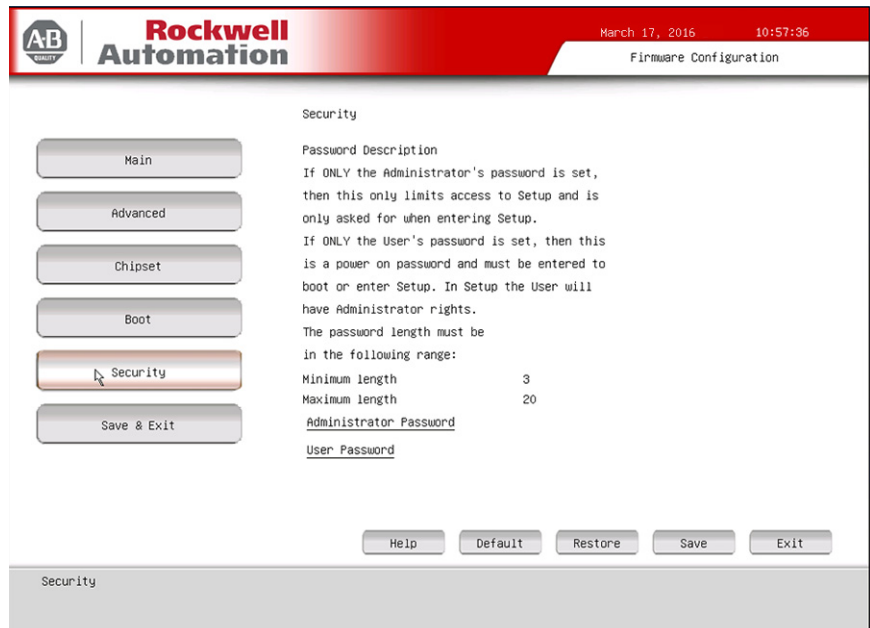


Parameter ⁽¹⁾	Description
Bootup NumLock State	Enables or disables the Num Lock key on boot. Option: On (default) or Off
Quiet Boot	Enables or disables Quiet Boot option. Option: Enabled or Disabled (default) IMPORTANT: When enabled, this option hides the POST screen messages at computer startup.
Boot Priority List	Change the boot order. By default, these devices are the boot priority: <ul style="list-style-type: none"> • USB key • CD-ROM • SSD • PXE • UEFI shell • PCI/PCIe RAID/SCSI/SAS card Follow instructions in the dialog box to change the boot order, and to enable or disable options.
USB Boot Priorities	Change the USB boot order through a dialog box. See the Boot Priority List description for the dialog box options.
CD-DVD ROM Boot Priorities ⁽²⁾	Change the CD-DVD ROM boot order through a dialog box. See the Boot Priority List description for the dialog box options.
Hard-Drive Boot Priorities	Change the hard drive boot order through a dialog box. See the Boot Priority List description for the dialog box options.

(1) See [page 60](#) for an explanation of common buttons near the bottom of screen.

(2) This data field is only visible on computers with CD-ROM drives.

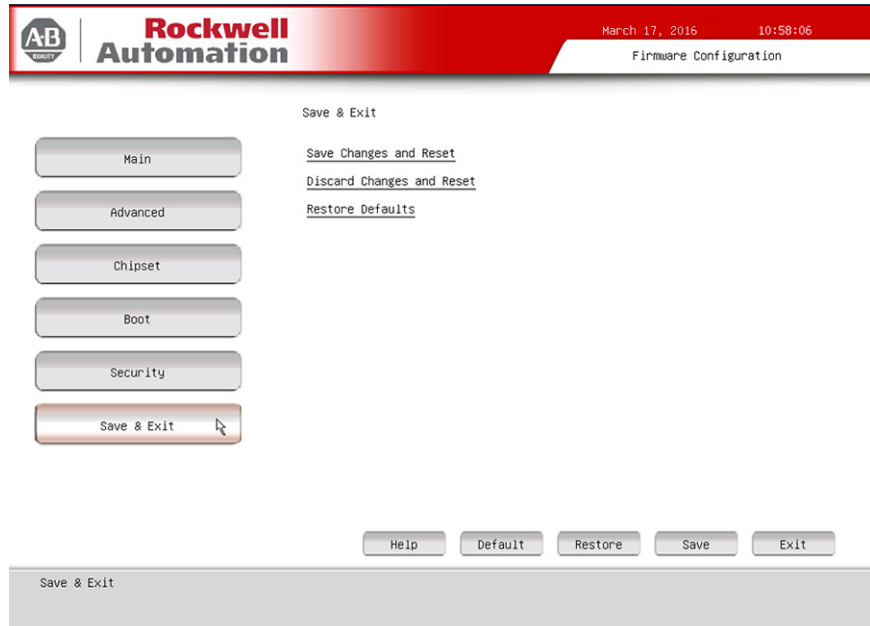
Security



Parameter ⁽¹⁾	Description
Administrator Password	<p>Sets the administrator password. Use this password to reduce assess risk from unauthorized or malicious sources.</p> <p>IMPORTANT: If you forget the administrator password, there are two ways to reset it:</p> <ul style="list-style-type: none"> • Remove and replace the battery; see Replace the RTC Battery on page 49. • Clear the UEFI; see Clear the UEFI on page 101.
User Password	<p>Sets the user password. Use this password to reduce assess risk from unauthorized or malicious sources.</p> <p>IMPORTANT: If you forget the user password, there are two ways to reset it:</p> <ul style="list-style-type: none"> • Remove and replace the battery; see Replace the RTC Battery on page 49. • Clear the UEFI; see Clear the UEFI on page 101.

(1) See [page 60](#) for an explanation of common buttons near the bottom of screen.

Save & Exit

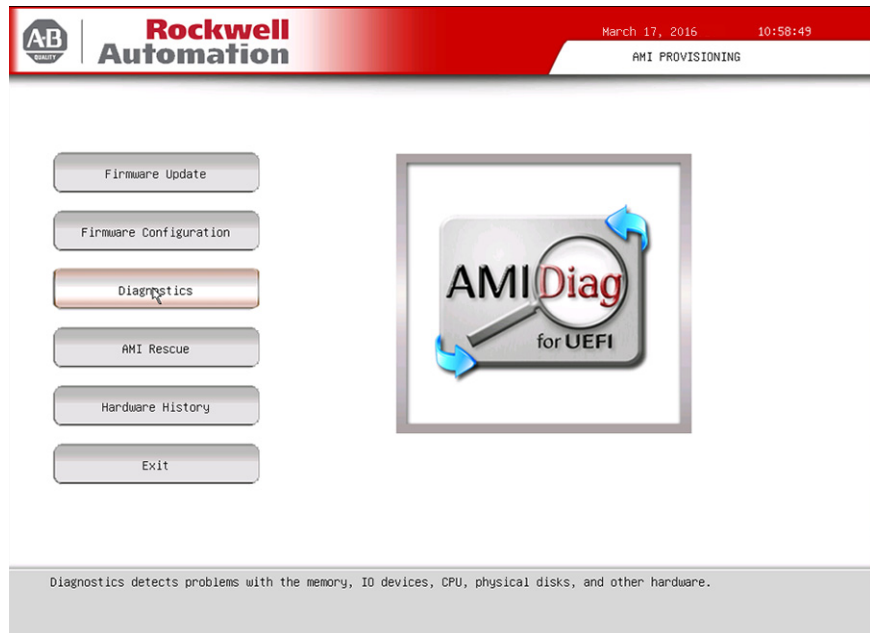


Parameter ⁽¹⁾	Description
Save Changes and Reset	Saves changes that are made and closes the set-up utility.
Discard Changes and Reset	Discards changes that are made and closes the set-up utility.
Restore Defaults	Loads the optimal defaults in the set-up menu.

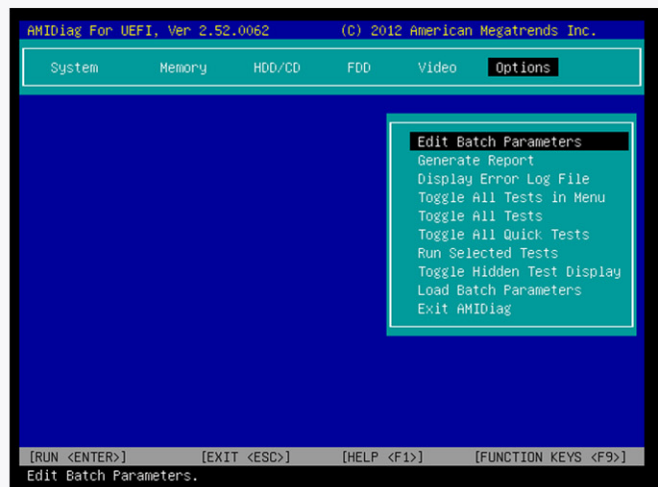
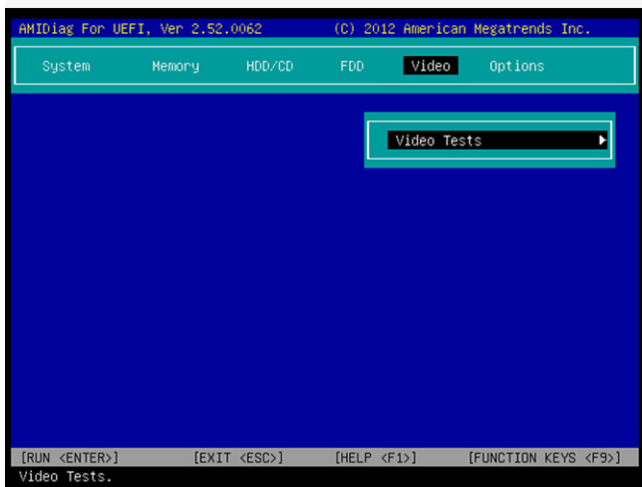
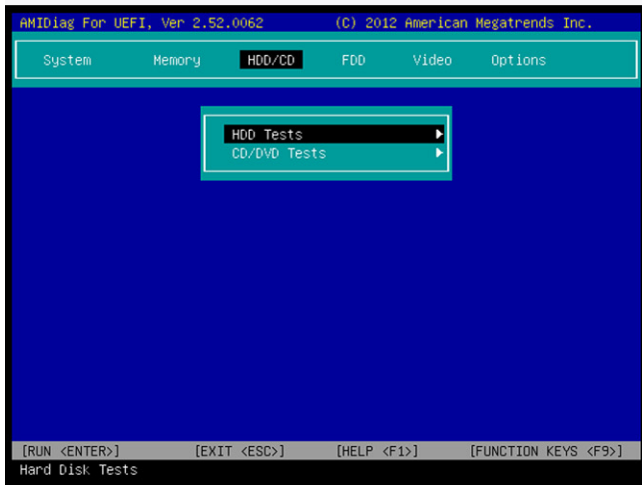
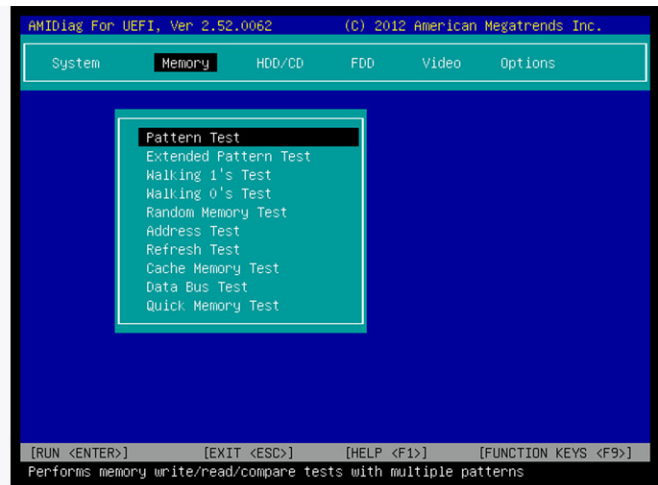
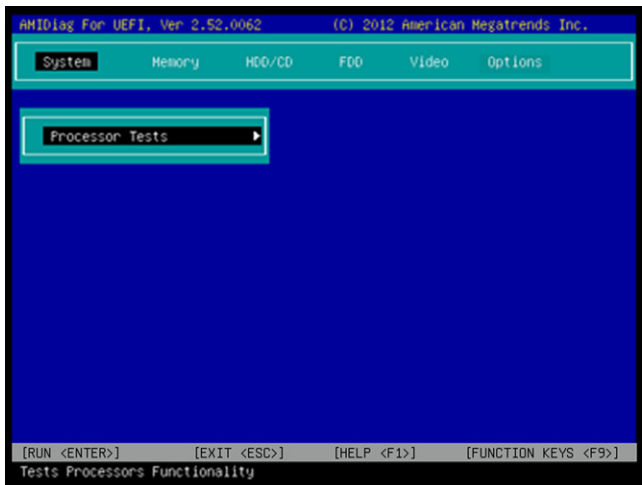
(1) See [page 60](#) for an explanation of common buttons near the bottom of screen.

Diagnostics

The Diagnostics menu lets you run the diagnostics utility to determine the cause of the system malfunction by testing computer components, such as the processor, memory, ODD, video, and other hardware.



Select a menu option by pressing the up ↑ or down ↓ arrow keys and pressing Enter when a menu is highlighted. Press the left ← or right → arrow keys to toggle between the six Diagnostics menu selections.



The following table lists the shortcut options in the Diagnostics menu.

Button	Description
Esc	Stops a test in progress or exits Diagnostics from any of the six menu options.
Enter	Runs the highlighted test or option.
F1	Displays the Help screens.
F2	Edits batch parameters.
F3	Loads batch parameters.
F4	Saves batch parameters.
F5	Selects or deselects the current test.
F6	Selects or deselects all tests in menu.
F7	Selects or deselects all tests.
F8	Selects or deselects all quick tests.
F9	Displays a list of the Diagnostic function keys.
F10	Runs the selected test or tests.

AMI Rescue

The AMI Rescue menu lets you back up the system image on your computer and restore that image.



IMPORTANT The following instructions are for the built-in backup and restore utility, AMI Rescue. You can also use third party utility or software to create an image backup and restore.

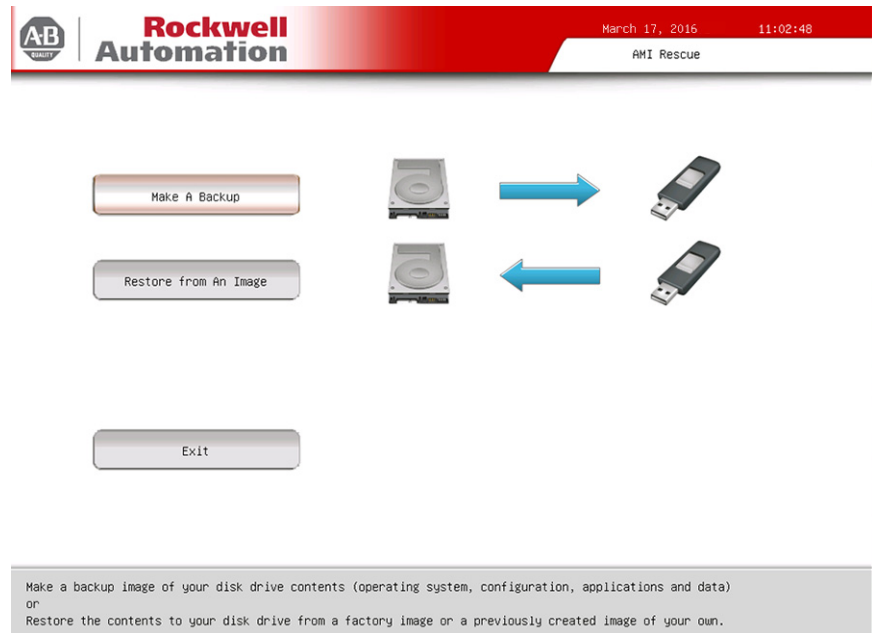
System images are also available from the Rockwell Automation® Product Compatibility and Download Center:

<http://www.rockwellautomation.com/support/pcdc.page>.

The Make A Backup function does the following:

- Overwrite any data stored in a hidden partition.
- Save any data as a new image file stored in a hidden partition.
- Save any data on a mass storage device.

The Restore from An Image function overwrites any data on the primary operating system partition on the internal drive.



Parameter	Description
Make A Backup	Click to take you through steps to back up the desired data.
Restore from An Image	Click to take you through steps to restore the desired data.
Exit	Click to exit the AMI Rescue or press F4.

Make a Backup

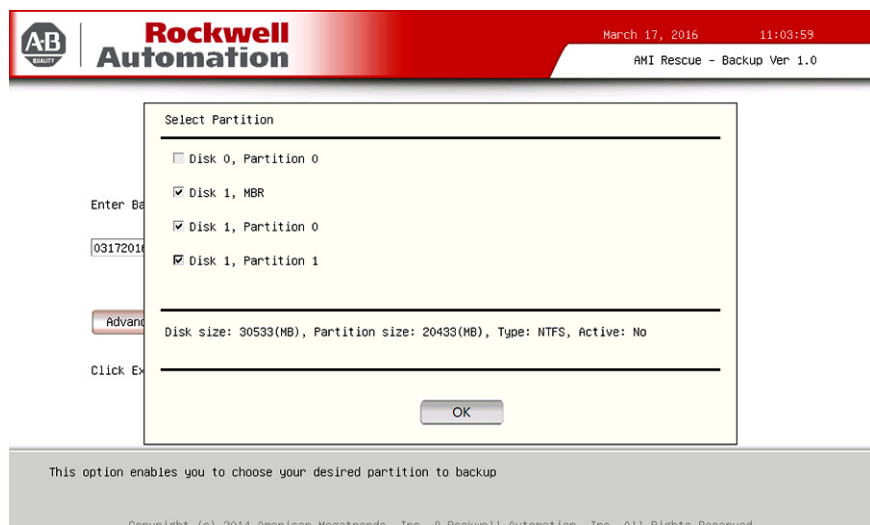
Follow these steps to back up the system image.

IMPORTANT Attach a FAT32-formatted USB storage device to the computer before you perform these steps. Use a USB storage device appropriately sized for the amount of data being backed up.

1. Click the AMI Rescue menu to access the AMI Rescue screen.
2. Click Make a Backup.
3. In the Source to Backup From field, click Browse to locate the backup source.
The backup is automatically assigned a name based on the system date.

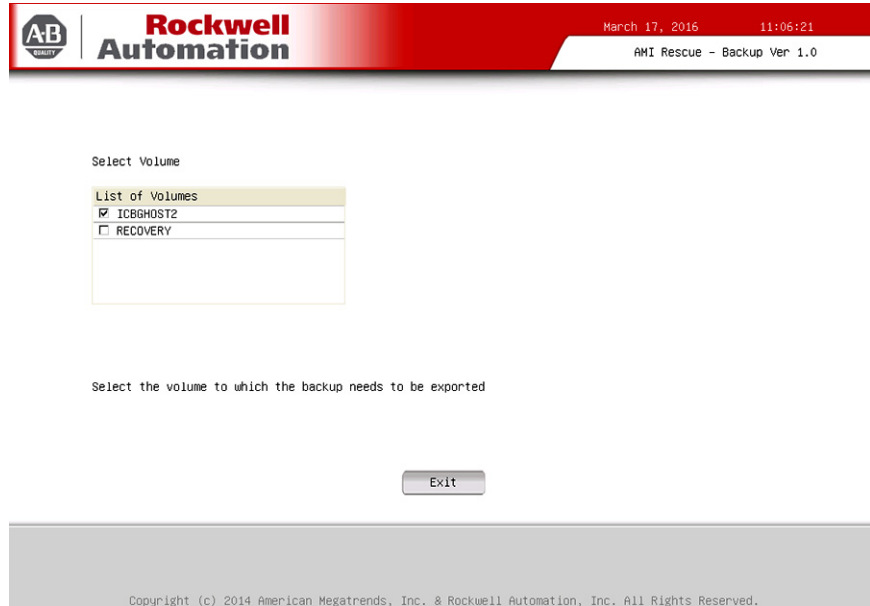


4. Click Advanced to select the partitions to back up.
5. Select all Disk 1 options so the entire OS image is backed up.



IMPORTANT Do not select Disk 0; it is meant for the USB mass storage device.

6. Click OK.
7. Click Exit.
8. In the Destination of Image File field, click Browse to locate the destination source.
9. From the List of Volumes menu, select the external USB drive.



IMPORTANT Do not select Recovery; it is the factory OS image that you wish to back up.

10. Click Exit.
11. Click Backup Now.

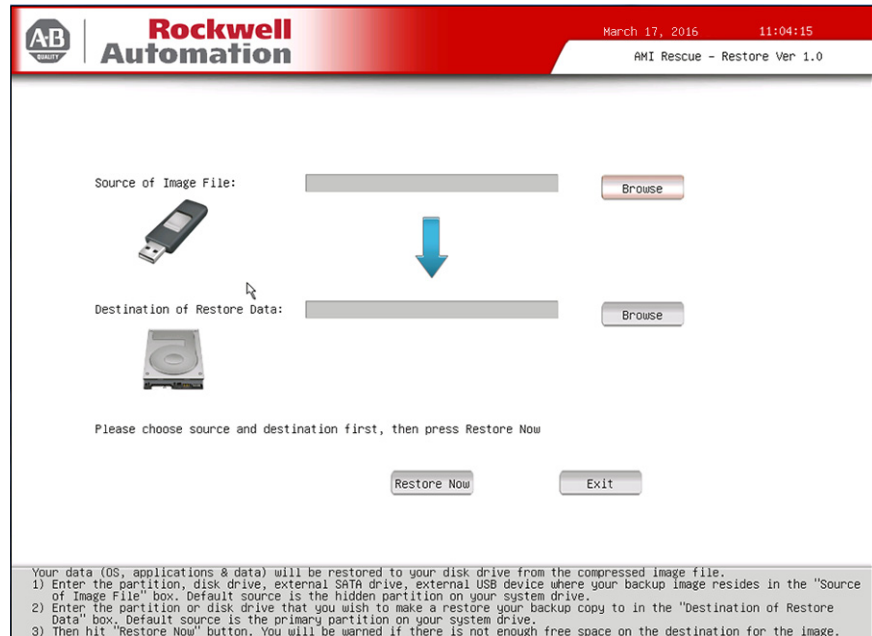
Restore OS Image From a Hidden Partition

Perform the following steps to restore your computer to factory default settings.

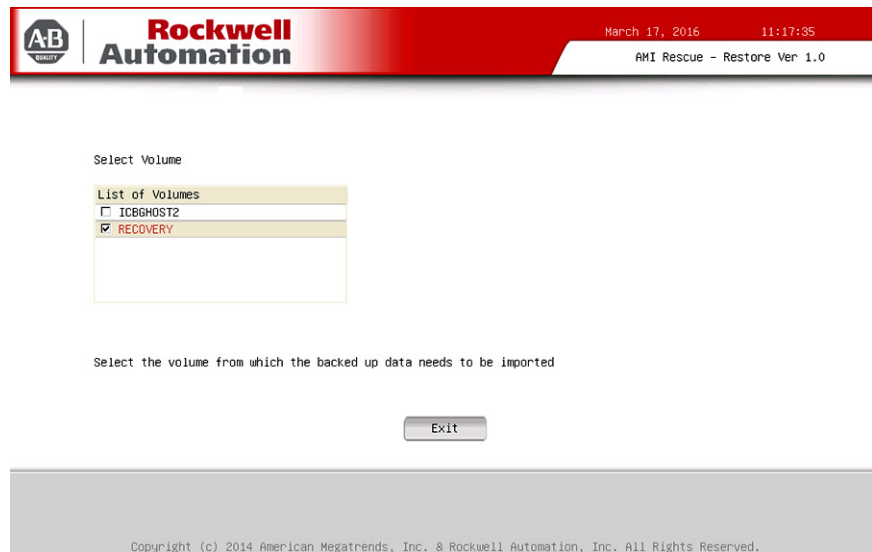
IMPORTANT When you restore from a back-up image, all data on the target drive is replaced. Make sure all data is backed up before you proceed with the following steps.

1. Click the AMI Rescue menu to access the AMI Restore screen.
2. Click Restore from an Image.

3. In the Source of Image File field, click Browse to locate the image source.



4. From the List of Volumes menu, select Recovery.

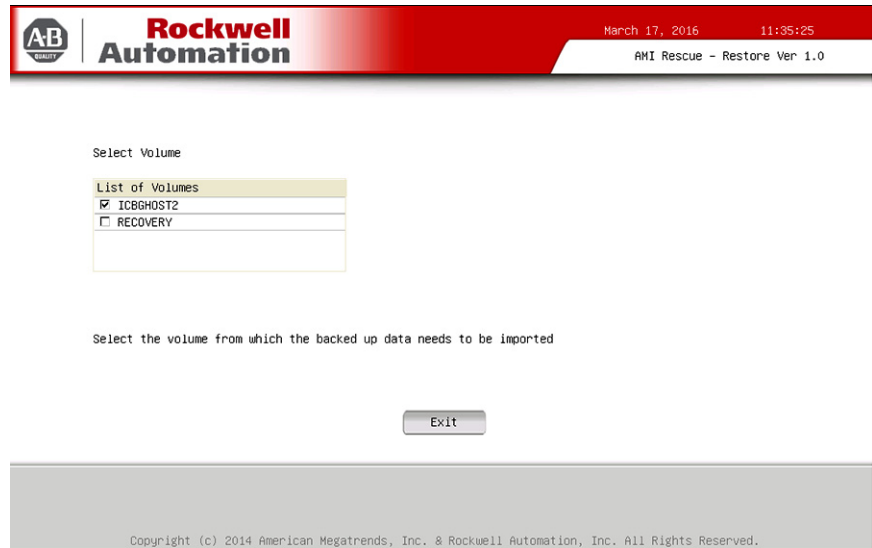


IMPORTANT Recovery is the default OS image source, which is the hidden partition on your internal storage drive.

5. Click Exit.

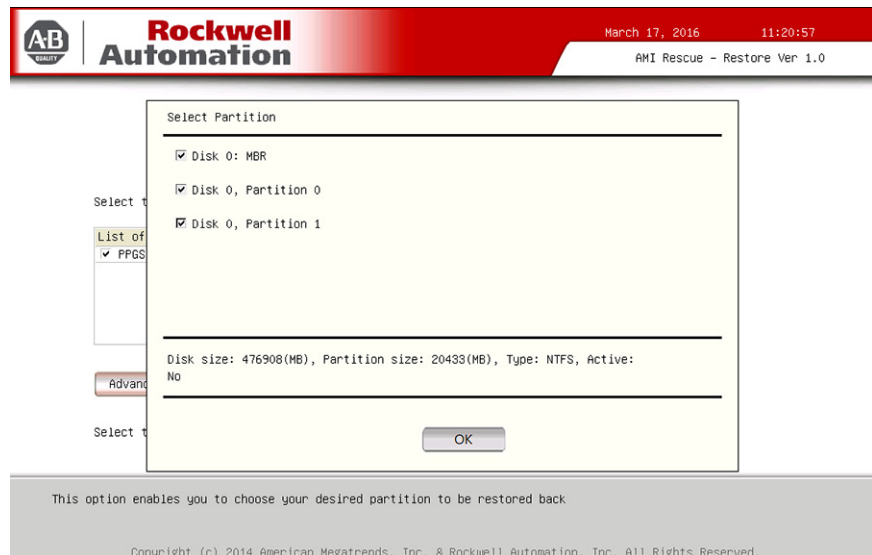
6. In the Destination of Restore Data field, click Browse to locate the destination source.

7. From the List of Labels menu, select the default destination.



IMPORTANT The Label name is similar or identical to the above example.

- 8. Click Advanced.
- 9. On the Select Partition screen, select all boxes for Disk 0 so the entire OS image is restored.



- 10. Click OK.
- 11. Click Exit.

12. Click Restore Now to start the restoration process.

IMPORTANT The following warnings may appear:

The restored destination may not have enough space due to the compression rate of backup image. Continue?

Yes No

If prompted, click Yes to continue.

Target partitions will be overwritten. Continue?

Yes No

If prompted, click Yes to continue.

Do you want to keep the current partition table?

Yes No

If prompted, click No to continue.

The current partition table will be restored to previous state. Continue?

Yes No

If prompted, click Yes to continue.

Restore OS Image From a USB Storage Drive

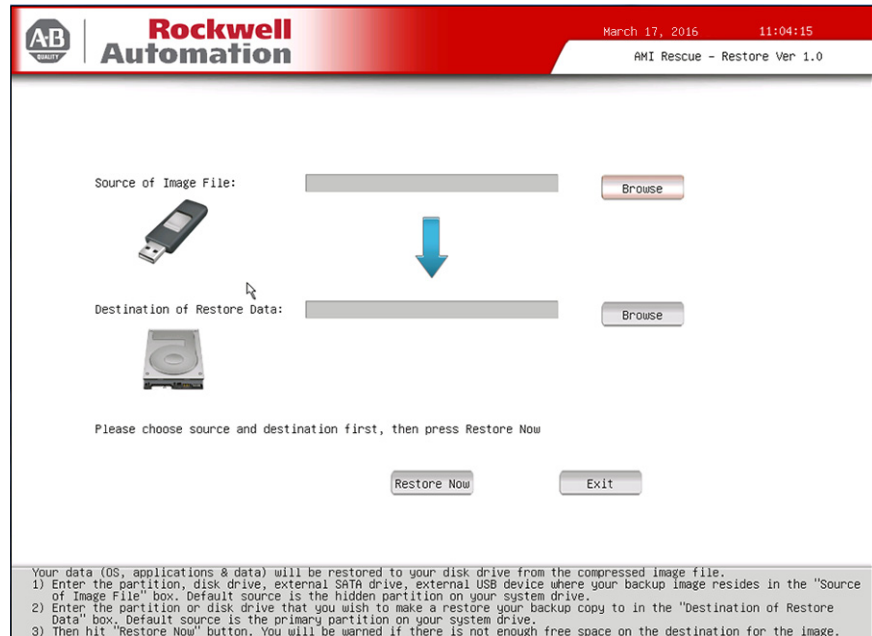
Perform the following steps to restore your computer with a backed-up OS image on an external USB storage drive.

IMPORTANT To perform these steps, you must already have a backed-up OS image on an external USB storage drive from [Make a Backup on page 85](#).

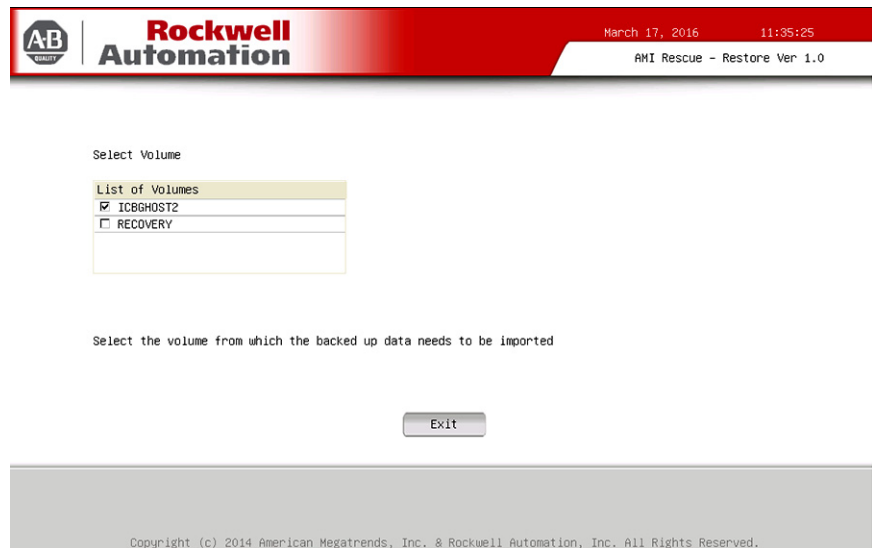
Connect the USB storage drive to the computer before you perform these steps.

1. Click the AMI Rescue menu to access the AMI Restore screen.
2. Click Restore from an Image.

3. In the Source of Image File field, click Browse to locate the image source.



4. From the List of Volumes menu, select the USB storage drive.

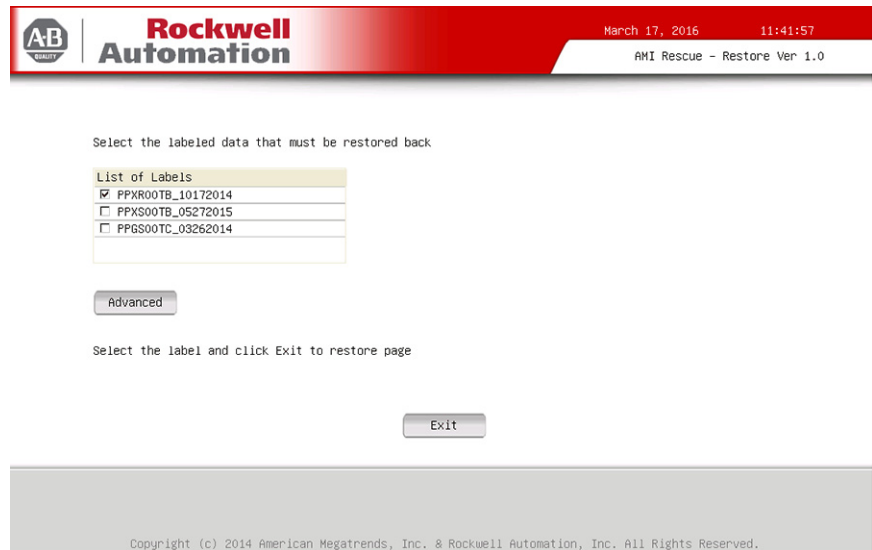


IMPORTANT Do not select Recovery; it is the OS image on the computer that you wish to restore.

5. Click Exit.

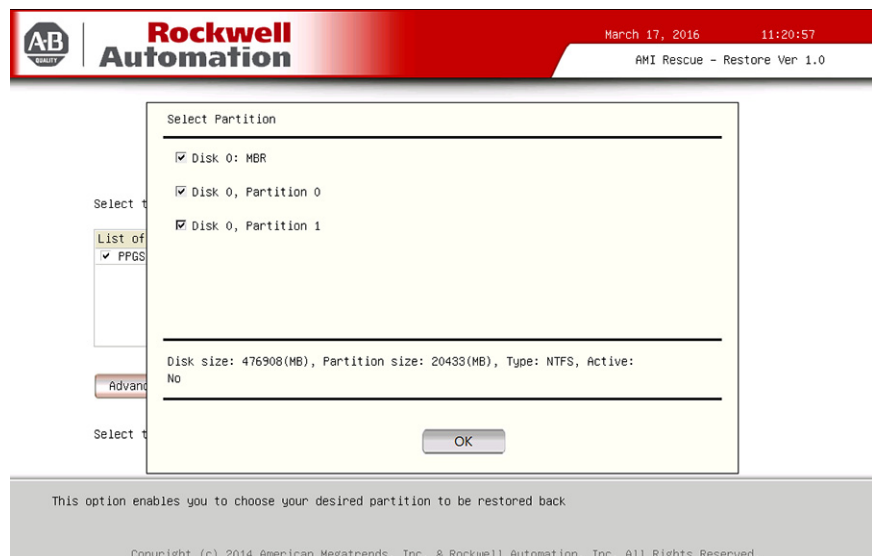
6. In the Destination of Restore Data field, click Browse to locate the destination source.

- From the List of Labels menu, select the USB storage drive.



IMPORTANT If no labels are visible, then the backed-up OS image folder must be moved to the root directory of the USB storage drive.
The backup is automatically assigned a name based on the system date, such as '03172016_00.'

- Click Advanced.
- On the Select Partition screen, select all boxes for Disk 0 so the entire OS image is restored.



- Click OK.
- Click Exit.

12. Click Restore Now to start the restoration process.

IMPORTANT The following warnings may appear:

The restored destination may not have enough space due to the compression rate of backup image. Continue?

If prompted, click Yes to continue.

Target partitions will be overwritten. Continue?

If prompted, click Yes to continue.

Do you want to keep the current partition table?

If prompted, click No to continue.

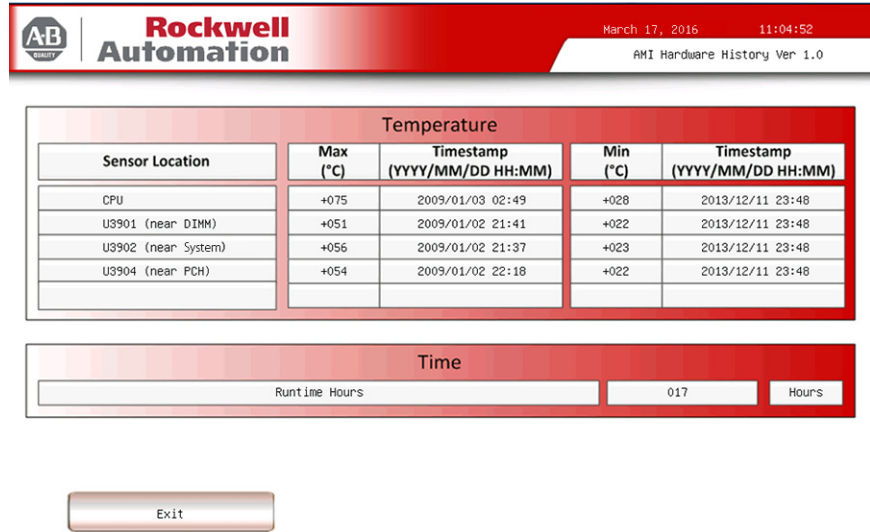
The current partition table will be restored to previous state. Continue?

If prompted, click Yes to continue.

Hardware History

You can view various hardware parameters from the Hardware History menu. It shows the total hours that the computer has been powered up, or runtime. It also displays the minimum and maximum temperatures over the entire runtime.

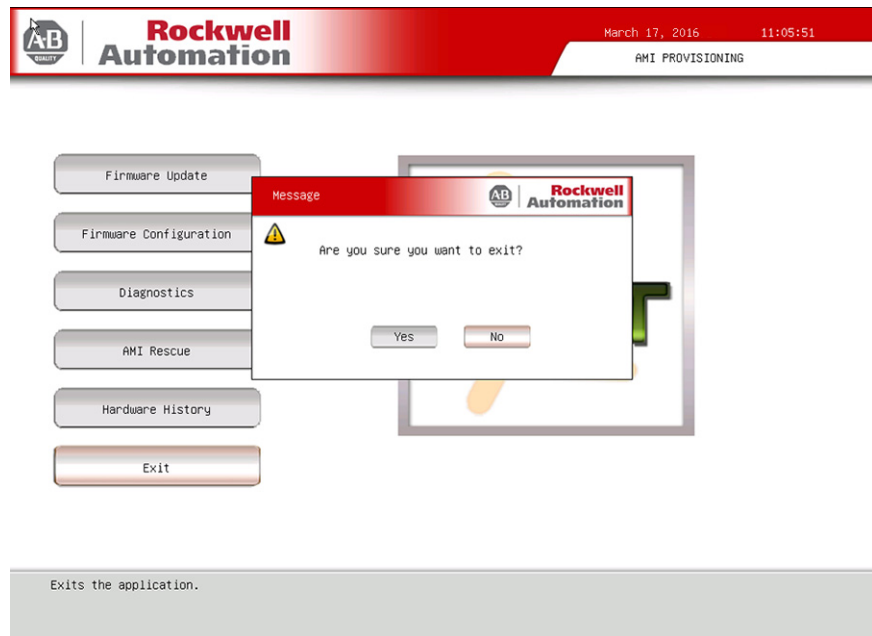
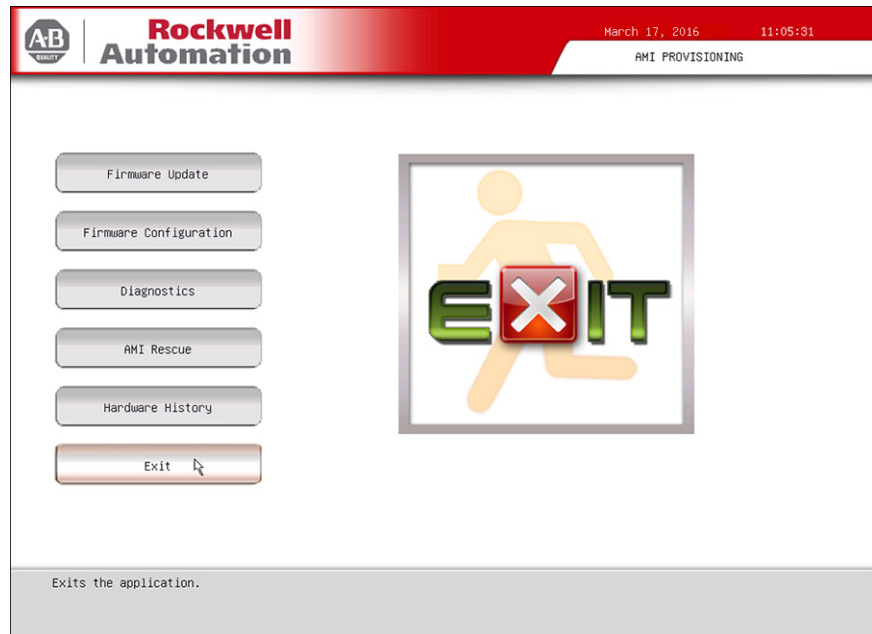
All displayed values are read-only, and the time stamp is 24-hour clock.



Menu	Description
Temperature	Same hardware temperatures as identified in System Temperature History of Hardware Monitor; see page 73 for more information.
Time	Total runtime hours. In the above screen shot, the runtime hours are 17.
Exit	Returns you to the set-up menu screen (page 58).

Exit

Use the Exit menu to close the UEFI set-up utility.



System Troubleshooting

Chapter Objectives

This chapter provides information on the following topics:

- [Hardware Monitoring](#)
- [Troubleshooting](#)
- [Troubleshooting Checklists](#)
- [Diagnostics](#)
- [Load the System Defaults](#)
- [Clear the UEFI](#)
- [Ship or Transport the Computer](#)

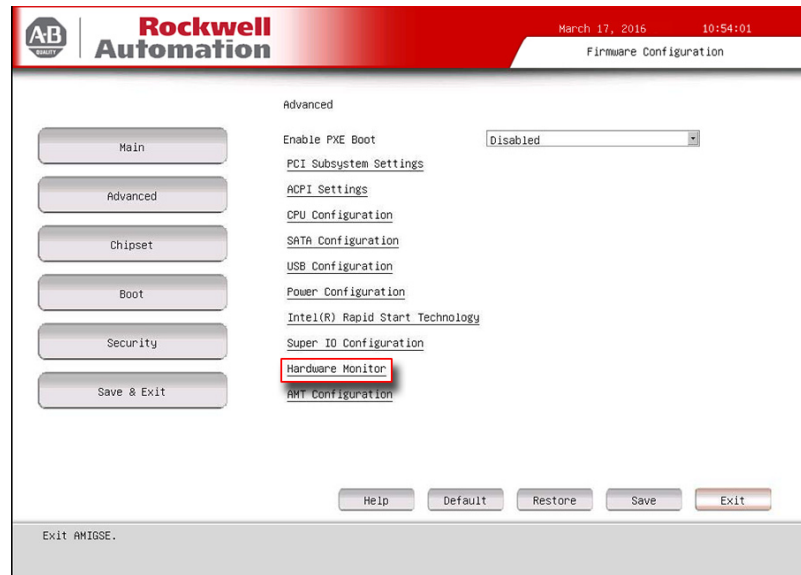
Hardware Monitoring

The built-in hardware monitor of the computer tracks the operating threshold levels of the voltage and temperature sensors.

Follow these steps to determine whether an operating threshold has been reached.

1. Shut down the computer by using the appropriate method for the installed operating system.
See [Shut Down the Computer on page 39](#) for more information.
2. Apply power to the computer.
3. During POST, press F2 to access the UEFI set-up utility.
4. Click Firmware Configuration on the Main Menu screen.
5. Click Advanced from the Firmware Configuration main screen.

6. Click Hardware Monitor on the Advanced screen.



See [Restore OS Image From a USB Storage Drive on page 89](#) for what information is shown.

Use this menu to determine if there is an issue with internal voltages or component temperatures.

Troubleshooting

Follow these steps to identify and isolate an issue with the computer's operation.

1. Shut down the computer by using the appropriate method for the installed operating system.

See [Shut Down the Computer on page 39](#) for more information.

2. Disconnect power to the computer.
3. Disconnect all peripheral devices from the computer.
4. If a keyboard and mouse is used, verify that they are properly connected.
5. If an external display is used, verify that it is properly connected.

6. Connect power to the computer. During POST, one of three events occurs:
- The start-up process is completed.
 - A nonfatal error occurs and the related error message is displayed.
 - A fatal error occurs and the start-up process terminates.

If	Then
The computer starts	Disconnect all peripheral devices and reconnect them one at a time until the issue occurs.
The issue is with a specific software or driver	Reinstall the software or driver.
The issue is not related specifically to software, a driver, or a peripheral device	Refer to the troubleshooting checklists.

TIP Some computers emit beeps. These audible alerts only signal that an error is detected. The beeps can apply to nonfatal and fatal errors.

Troubleshooting Checklists

To manage common issues, use these checklists to test and verify components. If an issue occurs, refer to these checklists before you call technical support.

Issues during Startup

- Are all connections secure?
- Are the device drivers installed?
- Are the jumpers on any add-in boards correctly positioned?
- If the computer starts from a drive:
 - Is the drive formatted and set up in the UEFI?
 - Are the data and power cables for the drive properly connected?
Verify that the computer can start from an external bootable device.
- Are memory modules properly installed? You can reinstall them to be sure of a good connection.
- Is the UEFI properly configured? To restore the default UEFI settings, see [Load the System Defaults on page 100](#).

Issues after Startup

- If an issue is intermittent, you can have a loose connection. Verify that the following items are secure or properly installed:
 - All connections to the computer
 - Any add-in cards
 - The memory modules
- Does your computer have a virus? Run an antivirus software.
- Is the UEFI properly configured? To restore the default UEFI settings, see [Load the System Defaults on page 100](#).

- If there is a flickering display or a locked computer, restart the computer as specified in [Restart the Computer on page 39](#). Although the computers have a regulated and protected power supply, a transient voltage in the power line or peripheral cable can cause errors.
- Is the data cable for the drive properly connected? Verify that the computer can start from an external bootable device.
- Is the computer overheating? Refer to the system health status indicator on the front panel of the computer. The light indicates the temperature threshold of the computer has been exceeded.

If the system health status indicator remains lit, verify the following:

- Any fan (if available) is working.
- Any fan filter (if available) is clean.
- Any cooling method (such as heat sink and vents) is not blocked.
- There is proper clearance as detailed in [Mounting Clearance Requirements on page 22](#).
- The air temperature is within the operating range specified in [Table 18 on page 116](#).

Issues Running New Software

- Does the software have a hardware requirement that is not present?
- Are you using an authorized copy of the software? Some software does not work without proper activation.
- Did the software install correctly? Reinstall the software.
- Are you following the software's instructions? Refer to the software vendor's user manual.

Issues with the Add-in Card

- Is the card installed and configured correctly? Verify the jumper and other configuration settings.
- Are the card cables properly connected?
- Is the add-in card recognized in Device Manager?
- A card issue not listed here? Refer to troubleshooting information supplied by the add-in card manufacturer.

Issues with the Integrated Display

- Are the display contrast and brightness controls properly adjusted? Refer to the operating system with the video driver for set-up functions.
- Verify that the selected character color is not the same as the background color.
- Set to the native resolution. Refer to Appendix A, [Specifications](#).

Issues with an External Display

- Are the display contrast and brightness controls properly adjusted? Refer to the operating system containing the video driver set-up functions.
- Verify that the selected character color is not the same as the background color.
- Is the display compatible with the selected video mode?
- Is the video cable properly connected?
- Is the video driver properly installed?
- Restart the computer with the external display connected and turned on.
- Is display function erratic? Connect the display to another computer to verify that it functions properly.

Diagnostics

If you completed the troubleshooting steps and issues remain, use the Diagnostics menu in the UEFI set-up utility to isolate the issue. Diagnostics tests computer components to determine the cause of a malfunction.

-
- IMPORTANT** Before you access diagnostics, first perform these steps:
- Connect an external keyboard to the computer
 - If you plan to test the CD-ROM drive, install a media disk
 - If you plan to update firmware, connect a USB drive with new firmware
-

Press F2 during POST or press F10 at any time to access the UEFI set-up utility:

- F2 during POST accesses the main menu of the UEFI set-up utility.
Select Diagnostics on the main menu.

-
- IMPORTANT** For display computers with aluminum bezels, you can access the diagnostic utility during POST by pressing the UIB on the front of the display; see [page 17](#) for more information about the UIB.
-

- F10 directly accesses the Diagnostics menu of the UEFI set-up utility.
See [Diagnostics on page 81](#) for more information.

Follow these steps to save diagnostic reports.

1. Select Generate Report in the Options menu and press Enter.
2. Select Report destination and press Enter.
3. Select File and press Enter.
4. Select the device path to generate the log report and press Enter.
If you need to generate the report in the current file system, press Enter.
Otherwise, select Continue and press Enter.
5. Enter log file details (file name and heading) for the report.
The default file name is AMIDiag.LOG.

6. Set the report parameters, such as log errors, log test activities, log test start time, log test end time, log errors only, log errors only with time, Append to old log file, Log device info on fail, Log device info on abort.
7. To exit the submenu, Select Continue and press Enter.

You do not need to disconnect or move your computer to perform an initial diagnosis. The selected test affects the process, which can take as little as 5 minutes or as long as 8 hours. After Diagnostics has run, you can generate a report for analysis by a technical support representative, which expedites any necessary repair process.

Load the System Defaults

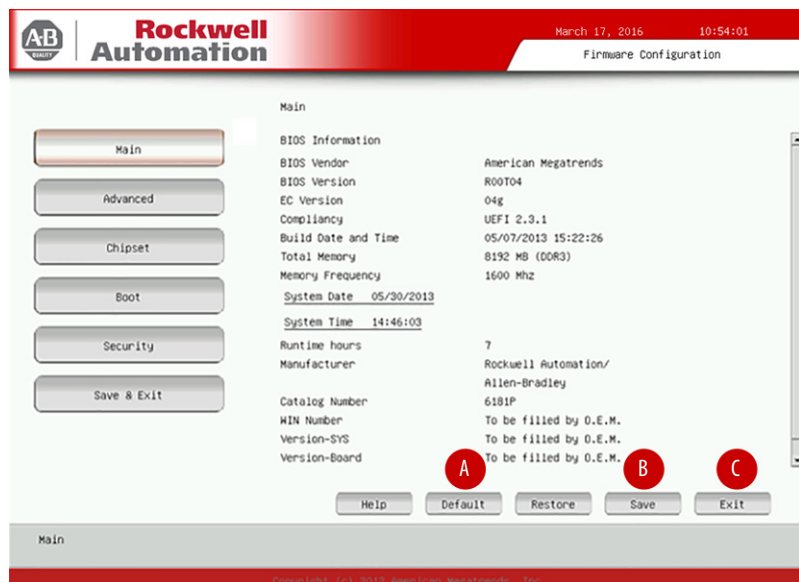
If the computer fails after you make changes in the set-up menus, load the system default settings to correct the error. These default settings have been selected to optimize computer performance.

Follow these steps to load the system defaults.

1. Restart the computer as specified in [Restart the Computer on page 39](#).
2. During POST, press F2 to access the UEFI set-up utility.

IMPORTANT For display computers with aluminum bezels, you can access the diagnostic utility during POST if you press the UIB on the front of the display; see [page 17](#) for more information about the UIB.

3. Click Firmware Configuration on the set-up screen.
4. Click Default (A) on the Main screen.
5. Click Save (B) to save your changes.
6. Click Exit (C) to exit the UEFI set-up utility.



Clear the UEFI

You must clear the system configuration values that are stored in the UEFI if the following conditions are present:

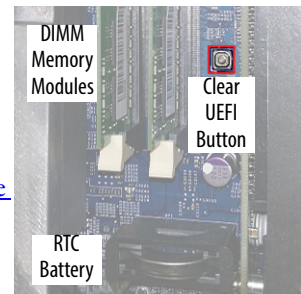
- The system configuration has been corrupted
- An incorrect setting has caused error messages to be unreadable
- You cannot access the UEFI set-up utility to load the system defaults

Follow these steps to clear the UEFI.

1. Back up all system data and then shut down the computer.
2. Follow the steps for [Pre-configuration on page 42](#).
3. Remove the cover as detailed in [Remove the Cover on page 43](#).

IMPORTANT Use an antistatic wriststrap that is connected to a grounded surface.

4. Locate the Clear UEFI button on the motherboard.
5. Press and hold the button for three seconds before you release it.
6. Reinstall the cover as detailed in [Reinstall the Cover on page 44](#).
7. Follow the steps for [Pre-configuration on page 42](#).



IMPORTANT When you clear the UEFI, all UEFI settings return to their defaults. Settings other than default must be reconfigured after the UEFI is cleared.

8. During POST, press F2 to access the UEFI set-up utility and reconfigure settings.

Ship or Transport the Computer

If you must ship the computer via common carrier or otherwise transport it to another location for service or any other reason, you must first uninstall the computer and place it in its original packing material.



ATTENTION: Do not ship or transport the computer when it is installed in a machine, panel, or rack. To avoid damage to the computer, you must uninstall the computer and place it in its original packing material before you ship it. Rockwell Automation® is not responsible for damage to a computer that is shipped or transported while installed in a machine, panel, or rack.

Dispose of the Computer



At the end of its life, collect the computer separately from any unsorted municipal waste.

You cannot dispose of computer equipment like other waste material. Most computers and monitors contain heavy metals that can contaminate the earth. Therefore, check with local health and sanitation agencies for ways to safely dispose of computer equipment.

If a storage drive is part of what you plan to dispose, then verify that any data on it has been permanently erased or that you destroy the drive before it is disposed.

Use a Touch Screen

Touch Screen Technology

Integrated display computers are shipped with the touch screen controller installed and connected. The touch screen controller connects internally to a USB port.

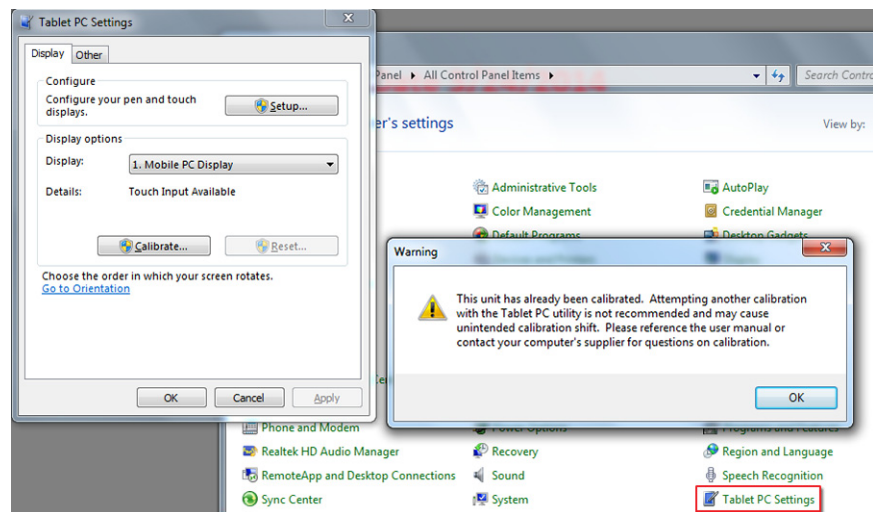
Driver Software

The Microsoft touch screen driver is already loaded on the computer as part of the operating system. An alternate touch screen driver is also available for download at the Rockwell Automation® Product Compatibility and Download Center (PCDC) at <http://www.rockwellautomation.com/support/pcdc.page#/tab2>.

TIP If you must reinstall the touch screen driver, the touch screen utility automatically detects the USB port used by the touch screen controller.

PCAP Touch Screen Technology

PCAP touch screens do not need any calibration. If you try to calibrate a PCAP touch screen through the Windows Tablet PC Settings, you receive a warning.



IMPORTANT PCAP touch screens are only on Advanced computer models. See [Computer Options on page 11](#) to see if your computer level is Advanced.

Resistive Technology

Resistive touch screens are activated when you apply pressure to the touch screen with your finger. You can operate a resistive touch screen while wearing gloves.

Resistive touch screens accept only single finger input. Multi-finger input or 'palm contact' can cause an incorrect touch input.



ATTENTION: Do not use sharp instruments to activate the touch screen. Scratching the surface of the touch screen can damage the display.

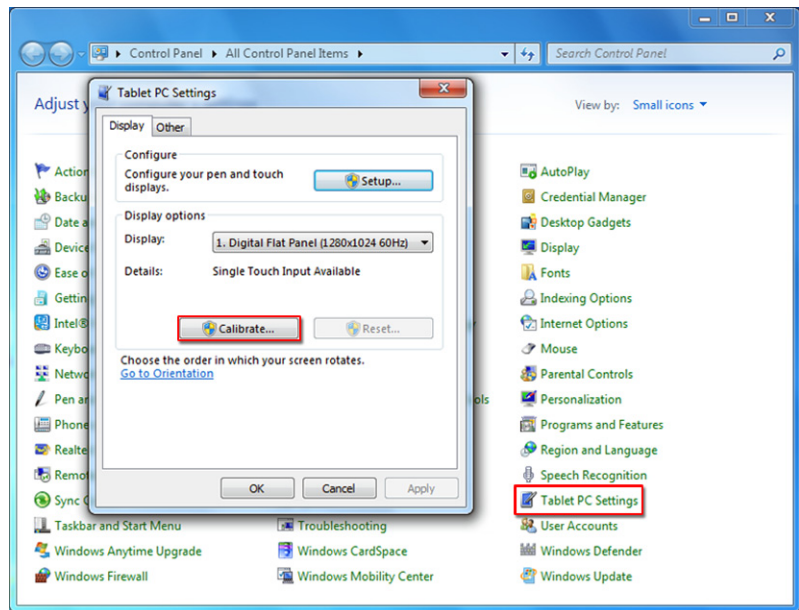
IMPORTANT Resistive touch screens are only on Performance computer models. See [Computer Options on page 11](#) to see if your computer is Performance level.

Calibrate the Resistive Touch Screen

The resistive touch screen supplied with the computer is factory installed and calibrated.

Perform the following steps to recalibrate the touch screen.

1. From the Windows control panel menu, select Tablet PC Settings.
2. On the Display tab of Tablet PC Settings, click Calibrate.
3. Follow the calibration instructions on the touch screen.



Maintenance

Chapter Objectives

This chapter provides information on how to [Clean the Computer](#).

Clean the Computer

To maintain your computer, it is important to clean the display, heat sink, and vent holes, and to remove grease or paint.

IMPORTANT 6181P computer bezels resist the following chemicals:

- Alcohol (methyl or ethyl)
 - Cleaning naphtha
 - Commercial glass cleaners
 - Ammonia (10% dilute solution)
 - Oil (hydraulic or motor)
 - Diesel fuel
 - Gasoline (unleaded)
 - Antifreeze mixtures (such as ethylene glycol)
 - Automatic transmission fluid
-

Clean the Integrated Display

Perform the following steps to clean the display.

1. Disconnect power from the computer at the power source.



ATTENTION: If the computer has a touch screen, it is possible for screen objects to activate during equipment wash-downs if the computer is turned on.

2. Clean the display with a mild soap by using a clean sponge or a soft cloth.



ATTENTION: Use of abrasive cleansers or solvents can damage the display window. Do not scrub or use brushes.
High-pressure washes can also damage the front bezel and gaskets.

3. Dry the display with a chamois or moist cellulose sponge to avoid water spots.

Clean the Fan (Intel Core i7 models)

Perform the following steps to clean the fan.

1. Disconnect power from the computer at the power source.
2. Vacuum dust and debris out of the fan.

Clean the Heat Sink and Vent Holes

Perform the following steps to clean the chassis.

1. Disconnect power from the computer at the power source.
2. Disconnect all peripheral devices from the computer.
3. Vacuum dust and debris from the heat sink and vent holes.

Remove Paint and Grease from Bezel

Perform the following steps to remove paint and grease from the bezel of computers properly mounted in NEMA Type 4/4X or IEC IP66 enclosures.

1. Close and lock the access cover on the front bezel.

IMPORTANT Step 1 does not apply to computers with a stainless steel bezel.

2. Remove paint splashes and grease by rubbing lightly with isopropyl alcohol.



ATTENTION: Make sure the isopropyl alcohol does not come in contact with the equipment labels. Alcohol can cause the label printing to smear.

3. Use a mild soap or detergent solution to remove residue.
4. Rinse with clean water.

Specifications

The following tables contain specifications for the 6181P non-display and integrated display computers. For more specifications, go to <http://ab.rockwellautomation.com/Computers>.

Table 9 - NDM (non-display) Model Hardware and Software Specifications

Specifications	Attribute	Cat. No. 6181P-					
		00N2MW71AC	00N2MW71DC	00N2SW71AC	00N2SW71DC	00N2SE71AC	00N2SE71DC
Hardware	Processor	Intel i3-4102E; 2 cores; 1.6 GHz; 3 MB cache; TDP 25W					
	Hyperthreading	Yes					
	Turboboost	No					
	UEFI (BIOS) version	2.3.1					
	Intel AMT	No					
	Intel Rapid Start Capable	Yes ⁽²⁾					
	Chipset	QM87 PCH					
	Video resolution	1920 x 1200 at 60 Hz, max					
	Ethernet LAN	10/100/1000 Mbps, 2 ports (rear); Intel i217LM (LAN1, with AMT) and Intel i210AT (LAN2)					
	Expansion slot	1 PCI-express x8 ⁽³⁾					
	System memory						
	Supplied	4 GB (2 x 2 GB)					
	Maximum	16 GB (2 x 8 GB)					
	Memory type	DDR3-1600 204 pin SO-DIMM					
	Memory slots	2					
	Supplied drive ⁽¹⁾	MLC SSD		SLC SSD			
	Quantity	1					
	Size (min/each)	256 GB, 2.5 in.		32 GB, 2.5 in.			
	Interface/location	SATA 0					
	Optical disk drive (ODD)	None supplied					
I/O ports	See page 13 .						
CompactFlash	Type II slot with cover						
Power supply	120-240V AC	18-32V DC	120-240V AC	18-32V DC	120-240V AC	18-32V DC	
Software	Windows OS	See page 11 .					

(1) All drives are in a removable drawer.

(2) Disabled by default.

(3) Configuration supplied with computer; see [page 120](#) for other card configurations.

Table 10 - NDM (non-display) Model Hardware and Software Specifications (continued)

Specifications	Attribute	Cat. No. 6181P-					
		00N3MW71AC	00N3MW71DC	00N3SW71AC	00N3SW71DC	00N3MS81AC	00N3MS81DC
Hardware	Processor	Intel i7-4700EQ; 4 cores; 2.4 GHz; 6 MB cache; TDP 47W					
	Hyperthreading	Yes					
	Turboboost	2.0					
	UEFI (BIOS) version	2.3.1					
	Intel AMT	9.0					
	Intel Rapid Start Capable	Yes ⁽²⁾					
	Chipset	QM87 PCH					
	Video resolution	1920 x 1200 at 60 Hz, max					
	Ethernet LAN	10/100/1000 Mbps, 2 ports (rear); Intel i217LM (LAN1, with AMT) and Intel i210AT (LAN2)					
	Expansion slot	1 PCI-express x8 ⁽³⁾					
	System memory						
	Supplied	8 GB (2 x 4 GB)					
	Maximum	16 GB (2 x 8 GB)					
	Memory type	DDR3-1600 204 pin SO-DIMM					
	Memory slots	2					
	Supplied drive ⁽¹⁾	MLC SSD	SLC SSD	MLC SSD			
	Quantity	1		2			
	Size (min/each)	256 GB, 2.5 in.		32 GB, 2.5 in.		256 GB, 2.5 in.	
	Interface/location	SATA 0			SATA 0 and 1		
	ODD	DVD-RW/CD-RW			None supplied		
	Quantity	1					
	Interface/location	SATA 1					
	I/O ports	See page 13 .					
CompactFlash	Type II slot with cover						
Power supply	120-240V AC	18-32V DC	120-240V AC	18-32V DC	120-240V AC	18-32V DC	
Software	Windows OS	See page 11 .					

- (1) All drives are in a removable drawer.
- (2) Disabled by default.
- (3) Configuration supplied with computer; see [page 120](#) for other card configurations.

Table 11 - 1200P (12-inch display) Model Hardware and Software Specifications

Specifications	Attribute	Cat. No. 6181P-					
		12A2MW71AC	12A2MW71DC	12A2SW71AC	12A2SW71DC	12A2SE71AC	12A2SE71DC
Hardware	Processor	Intel i3-4102E; 2 cores; 1.6 GHz; 3 MB cache; TDP 25W					
	Hyperthreading	Yes					
	Turboboost	No					
	UEFI (BIOS) version	2.3.1					
	Intel AMT	None					
	Intel Rapid Start Capable	Yes ⁽³⁾					
	Chipset	QM87 PCH					
	Video resolution, max	1920 x 1200 at 60 Hz, max					
	Ethernet LAN	10/100/1000 Mbps, 2 ports (rear); Intel i217LM (LAN1, with AMT) and Intel i210AT (LAN2)					
	Expansion slot	1 PCI-express x8 ⁽⁴⁾					
	System memory						
	Supplied	4 GB (2 x 2 GB)					
	Maximum	16 GB (2 x 8 GB)					
	Memory type	DDR3-1600 204 pin SO-DIMM					
	Memory slots	2					
	Display (12 in.)						
	Bezel	Aluminum					
	Touch screen	Resistive					
	Resolution (max)	XGA 1024 x 768					
	Aspect ratio	4:3					
	Brightness ⁽¹⁾	500 nits (cd/m ²), nominal					
	Supplied drive ⁽²⁾	MLC SSD		SLC SSD			
	Quantity	1					
Size (min/each)	256 GB, 2.5 in.		32 GB, 2.5 in.				
Interface/location	SATA 0						
ODD	None supplied						
I/O ports	See page 14 .						
CompactFlash	Type II slot with cover						
Power supply	120-240V AC	18-32V DC	120-240V AC	18-32V DC	120-240V AC	18-32V DC	
Software	Windows OS	See page 11 .					

(1) Rating shown for 100% display brightness. Display computers ship at 70% brightness. For more information, see [page 40](#).

(2) All drives are in a removable drawer.

(3) Disabled by default.

(4) Configuration supplied with computer; see [page 120](#) for other card configurations.

Table 12 - 1500P (15-inch display) Model Hardware and Software Specifications

Specifications	Attribute	Cat. No. 6181P-									
		15A2MW71AC	15A2MW71DC	15A2SW71AC	15A2SW71DC	15A2SE71AC	15A2SE71DC	15C2MW71AC	15C2MW71DC	15C2SW71AC	
Hardware	Processor	Intel i3-4102E; 2 cores; 1.6 GHz; 3 MB cache; TDP 25W									
	Hyperthreading	Yes									
	Turboboost	No									
	UEFI version	2.3.1									
	Intel AMT	None									
	Intel Rapid Start Capable	Yes ⁽³⁾									
	Chipset	QM87 PCH									
	Video resolution	1920 x 1200 at 60 Hz, max									
	Ethernet LAN	10/100/1000 Mbps, 2 ports (rear); Intel i217LM (LAN1, with AMT) and Intel i210AT (LAN2)									
	Expansion slot	1 PCI-express x8 ⁽⁴⁾									
	System memory										
	Supplied	4 GB (2 x 2 GB)									
	Maximum	16 GB (2 x 8 GB)									
	Memory type	DDR3-1600 204 pin SO-DIMM									
	Memory slots	2									
	Display (15 in.)										
	Bezel	Aluminum						Stainless steel			
	Touch screen	Resistive									
	Resolution (max)	XGA 1024 x 768									
	Aspect ratio	4:3									
	Brightness ⁽¹⁾	400 nits (cd/m ²), nominal									
	Supplied drive ⁽²⁾	MLC SSD			SLC SSD			MLC SSD		SLC SSD	
	Quantity	1									
	Size (min/each)	256 GB, 2.5 in.			32 GB, 2.5 in.			256 GB, 2.5 in.		32 GB, 2.5 in.	
	Interface/location	SATA 0									
	ODD	None supplied									
	Quantity										
Interface/location											
I/O ports	See page 14 .										
CompactFlash	Type II slot with cover										
Power supply	120-240V AC	18-32V DC	120-240V AC	18-32V DC	120-240V AC	18-32V DC	120-240V AC	18-32V DC	120-240V AC		
Software	Windows OS	See page 11 .									

(1) Rating shown for 100% display brightness. Display computers ship at 70% brightness. For more information, see [page 40](#).

(2) All drives are in a removable drawer.

(3) Disabled by default.

(4) Configuration supplied with computer; see [page 120](#) for other card configurations.

Table 13 - 1500P (15-inch display) Model Hardware and Software Specification (continued)

Specifications	Attribute	Cat. No. 6181P-								
		15C2SW71DC	15A3MW71AC	15A3MW71DC	15A3SW71AC	15A3SW71DC	15B3MW71AC	15B3MW71DC	15B3SW71AC	15B3SW71DC
Hardware	Processor	Intel i3-4102E ⁽³⁾ Intel i7-4700EQ; 4 cores; 2.4 GHz; 6 MB cache; TDP 47W								
	Hyperthreading	Yes								
	Turboboost	No	2.0							
	UEFI version	2.3.1								
	Intel AMT	None	9.0							
	Intel Rapid Start Capable	Yes ⁽⁴⁾								
	Chipset	QM87 PCH								
	Video resolution	1920 x 1200 at 60 Hz, max								
	Ethernet LAN	10/100/1000 Mbps, 2 ports (rear); Intel i217LM (LAN1, with AMT) and Intel i210AT (LAN2)								
	Expansion slot	1 PCI-express x8 ⁽⁵⁾								
	System memory									
	Supplied	4 GB (2 x 2 GB)	8 GB (2 x 4 GB)							
	Maximum	16 GB (2 x 8 GB)								
	Memory type	DDR3-1600 204 pin SO-DIMM								
	Memory slots	2								
	Display (15 in.)									
	Bezel	Stainless steel	Aluminum							
	Touch screen	Resistive	PCAP							
	Resolution (max)	XGA 1024 x 768				HD 1366 x 768				
	Aspect ratio	4:3				16:9				
Brightness ⁽¹⁾	400 nits (cd/m ²), nominal				300 nits (cd/m ²), nominal					
Supplied drive ⁽²⁾	SLC SSD	MLC SSD		SLC SSD		MLC SSD		SLC SSD		
Quantity	1									
Size (min/each)	32 GB, 2.5 in.	256 GB, 2.5 in.		32 GB, 2.5 in.		256 GB, 2.5 in.		32 GB, 2.5 in.		
Interface/location	SATA 0							SATA 0 and 1		
ODD	None supplied	DVD-RW/CD-RW								
Quantity	1									
Interface/location	SATA 1									
I/O ports	See page 14 .									
CompactFlash	Type II slot with cover									
Power supply	18-32V DC	120-240V AC	18-32V DC	120-240V AC	18-32V DC	120-240V AC	18-32V DC	120-240V AC	18-32V DC	
Software	Windows OS	See page 11 .								

(1) Rating shown for 100% display brightness. Display computers ship at 70% brightness. For more information, see [page 40](#).

(2) All drives are in a removable drawer.

(3) 2 cores; 1.6 GHz; 3 MB cache; TDP 25W.

(4) Disabled by default.

(5) Configuration supplied with computer; see [page 120](#) for other card configurations.

Table 14 - 1700P (17-inch display) Model Hardware and Software Specifications

Specifications	Attribute	Cat. No. 6181P-					
		17A2MW71AC	17A2MW71DC	17A2SW71AC	17A2SW71DC	17A2SE71AC	17A2SE71DC
Hardware	Processor	Intel i3-4102E; 2 cores; 1.6 GHz; 3 MB cache; TDP 25W					
	Hyperthreading	Yes					
	TurboBoost	No					
	UEFI version	2.3.1					
	Intel AMT	None					
	Intel Rapid Start Capable	Yes ⁽³⁾					
	Chipset	QM87 PCH					
	Video resolution	1920 x 1200 at 60 Hz, max					
	Ethernet LAN	10/100/1000 Mbps, 2 ports (rear); Intel i217LM (LAN1, with AMT) and Intel i210AT (LAN2)					
	Expansion slot	1 PCI-express x8 ⁽⁴⁾					
	System memory						
	Supplied	4 GB (2 x 2GB)					
	Maximum	16 GB (2 x 8 GB)					
	Memory type	DDR3-1600 204 pin SO-DIMM					
	Memory slots	2					
	Display (17 in.)						
	Bezel	Aluminum					Stainless steel
	Touch screen	Resistive					
	Resolution (max)	SXGA 1280 x 1024					
	Aspect ratio	5:4					
	Brightness ⁽¹⁾	350 nits (cd/m ²), nominal					
	Supplied drive ⁽²⁾	MLC SSD		SLC SSD		MLC SSD	
	Quantity	1					
Size (min/each)	256 GB, 2.5 in.		32 GB, 2.5 in.		256 GB, 2.5 in.		
Interface/location	SATA 0						
ODD	None supplied						
I/O ports	See page 14 .						
CompactFlash	Type II slot with cover						
Power supply	120-240V AC	18-32V DC	120-240V AC	18-32V DC	120-240V AC	18-32V DC	120-240V AC
Software	Windows OS	See page 12 .					

(1) Rating shown for 100% display brightness. Display computers ship at 70% brightness. For more information, see [page 40](#).

(2) All drives are in a removable drawer.

(3) Disabled by default.

(4) Configuration supplied with computer; see [page 120](#) for other card configurations.

Table 15 - 1700P (17-inch display) Model Hardware and Software Specifications (continued)

Specifications	Attribute	Cat. No. 6181P-						
		17C2MW71DC	17C2SW71AC	17C2SW71DC	17A3MW71AC	17A3MW71DC	17A3SW71AC	17A3SW71DC
Hardware	Processor	Intel i3-4102E; 2 cores; 1.6 GHz; 3 MB cache; TDP 25W			Intel i7-4700EQ; 4 cores; 2.4 GHz; 6 MB cache; TDP 47W			
	Hyperthreading	Yes						
	Turboboost	No			2.0			
	UEFI version	2.3.1						
	Intel AMT	None			9.0			
	Intel Rapid Start Capable	Yes ⁽³⁾						
	Chipset	QM87 PCH						
	Video resolution	1920 x 1200 at 60 Hz, max						
	Ethernet LAN	10/100/1000 Mbps, 2 ports (rear); Intel i217LM (LAN1, with AMT) and Intel i210AT (LAN2)						
	Expansion slot	1 PCI-express x8 ⁽⁴⁾						
	System memory							
	Supplied	4 GB (2 x 2 GB)			8 GB (2 x 4 GB)			
	Maximum	16 GB (2 x 8 GB)						
	Memory type	DDR3-1600 204 pin SO-DIMM						
	Memory slots	2						
	Display (17 in.)							
	Bezel	Stainless steel			Aluminum			
	Touch screen	Resistive			PCAP			
	Resolution (max)	SXGA 1280 x 1024						
	Aspect ratio	5:4						
	Brightness ⁽¹⁾	350 nits (cd/m ²), nominal						
	Supplied drive ⁽²⁾	MLC SSD		SLC SSD		MLC SSD		SLC SSD
	Quantity	1						
Size (min/each)	256 GB, 2.5 in.		32 GB, 2.5 in.		256 GB, 2.5 in.		32 GB, 2.5 in.	
Interface/location	SATA 0							
ODD	None supplied			DVD-RW/CD-RW				
Quantity	1							
Interface/location	SATA 1							
I/O ports	See page 14 .							
CompactFlash	Type II slot with cover							
Power supply	18-32V DC	120-240V AC	18-32V DC	120-240V AC	18-32V DC	120-240V AC	18-32V DC	
Software	Windows OS	See page 12 .						

(1) Rating shown for 100% display brightness. Display computers ship at 70% brightness. For more information, see [page 40](#).

(2) All drives are in a removable drawer.

(3) Disabled by default.

(4) Configuration supplied with computer; see [page 120](#) for other card configurations.

Table 16 - 1900P (19-inch display) Model Hardware and Software Specifications

Specifications	Attribute	Cat. No. 6181P-								
		19A2MW71AC	19A2MW71DC	19A2SW71AC	19A2SW71DC	19A2SE71AC	19A2SE71DC	19C2MW71AC	19C2MW71DC	19C2SW71AC
Hardware	Processor	Intel i3-4102E; 2 cores; 1.6 GHz; 3 MB cache; TDP 25W								
	Hyperthreading	Yes								
	Turboboost	No								
	UEFI version	2.3.1								
	Intel AMT	None								
	Intel Rapid Start Capable	Yes ⁽³⁾								
	Chipset	QM87 PCH								
	Video resolution	1920 x 1200 at 60 Hz, max								
	Ethernet LAN	10/100/1000 Mbps, 2 ports (rear); Intel i217LM (LAN1, with AMT) and Intel i210AT (LAN2)								
	Expansion slot	1 PCI-express x8 ⁽⁴⁾								
	System memory									
	Supplied	4 GB (2 x 2 GB)								
	Maximum	16 GB (2 x 8 GB)								
	Memory type	DDR3-1600 204 pin SO-DIMM								
	Memory slots	2								
	Display (19 in.)									
	Bezel	Aluminum						Stainless steel		
	Touch screen	Resistive								
	Resolution (max)	SXGA 1280 x 1024								
	Aspect ratio	5:4								
	Brightness ⁽¹⁾	300 nits (cd/m ²), nominal								
	Supplied drive ⁽²⁾	MLC SSD			SLC SSD			MLC SSD		SLC SSD
	Quantity	1								
Size (min/each)	256 GB, 2.5 in.			32 GB, 2.5 in.			256 GB, 2.5 in.		32 GB, 2.5 in.	
Interface/location	SATA 0									
ODD	None supplied									
I/O ports	See page 14 .									
CompactFlash	Type II slot with cover									
Power supply	120-240V AC	18-32V DC	120-240V AC	18-32V DC	120-240V AC	18-32V DC	120-240V AC	18-32V DC	120-240V AC	
Software	Windows OS	See page 12 .								

(1) Rating shown for 100% display brightness. Display computers ship at 70% brightness. For more information, see [page 40](#).

(2) All drives are in a removable drawer.

(3) Disabled by default.

(4) Configuration supplied with computer; see [page 120](#) for other card configurations.

Table 17 - 1900P (19-inch display) Model Hardware and Software Specifications (continued)

Specifications	Attribute	Cat. No. 6181P-								
		19C2SW71DC	19A3MW71AC	19A3MW71DC	19A3SW71AC	19A3SW71DC	19B3MW71AC	19B3MW71DC	19B3SW71AC	19B3SW71DC
Hardware	Processor	Intel i3-4102E ⁽³⁾	Intel i7-4700EQ; 4 cores; 2.4 GHz; 6 MB cache; TDP 47W							
	Hyperthreading	Yes								
	Turboboost	No	2.0							
	UEFI version	2.3.1								
	Intel AMT	None	9.0							
	Intel Rapid Start Capable	Yes ⁽⁴⁾								
	Chipset	QM87 PCH								
	Video resolution	1920 x 1200 at 60 Hz, max								
	Ethernet LAN	10/100/1000 Mbps, 2 ports (rear); Intel i217LM (LAN1, with AMT) and Intel i210AT (LAN2)								
	Expansion slot	1 PCI-express x8 ⁽⁵⁾								
	System memory									
	Supplied	4 GB (2 x 2 GB)		8 GB (2 x 4 GB)						
	Maximum	16 GB (2 x 8 GB)								
	Memory type	DDR3-1600 204 pin SO-DIMM								
	Memory slots	2								
	Display (19 in.)									
	Bezel	Stainless steel	Aluminum							
	Touch screen	Resistive	PCAP							
	Resolution (max)	SXGA 1280 x 1024					HD 1366 x 768			
	Aspect ratio	5:4					16:9			
	Brightness ⁽¹⁾	300 nits (cd/m ²), nominal								
	Supplied drive ⁽²⁾	SLC SSD	MLC SSD		SLC SSD		MLC SSD		SLC SSD	
	Quantity	1								
Size (min/each)	32 GB, 2.5 in.	256 GB, 2.5 in.		32 GB, 2.5 in.		256 GB, 2.5 in.		32 GB, 2.5 in.		
Interface/location	SATA 0									
ODD	None supplied	DVD-RW/CD-RW								
Quantity	1									
Interface/location	SATA 1									
I/O ports	See page 14 .									
CompactFlash	Type II slot with cover									
Power supply	18-32V DC	120-240V AC	18-32V DC	120-240V AC	18-32V DC	120-240V AC	18-32V DC	120-240V AC	18-32V DC	
Software	Windows OS	See page 12 .								

- (1) Rating shown for 100% display brightness. Display computers ship at 70% brightness. For more information, see [page 40](#).
- (2) All drives are in a removable drawer.
- (3) 2 cores; 1.6 GHz; 3 MB cache; TDP 25W.
- (4) Disabled by default.
- (5) Configuration supplied with computer; see [page 120](#) for other card configurations.

Table 18 - Environmental Specifications

Attribute	Model				
	NDM	12 in.	15 in.	17 in.	19 in.
Dimensions (HxWxD), approx. Standard (4:3/5:4) displays	251 x 353 x 100.7 mm (9.88 x 13.89 x 3.96 in.)	279 x 349 x 103 mm (10.98 x 13.74 x 4.06 in.)	309 x 408.9 x 103 mm (12.16 x 16.1 x 4.06 in.)	355 x 449 x 103 mm (13.97 x 17.68 x 4.06 in.)	399.3 x 481.6 x 106.4 mm (15.72 x 18.96 x 4.19 in.)
Widescreen (16:9) displays			284 x 447 x 106.4 mm (11.18 x 17.6 x 4.19 in.)		339.3 x 515.6 x 106.4 mm (13.36 x 20.3 x 4.19 in.)
Weight, approx. Standard (4:3/5:4) displays – Aluminum bezel – Stainless steel bezel	7.5 kg (16.5 lb)	8.5 kg (18.7 lb)	9.9 kg (21.8 lb) 11.1 kg (24.5 lb)	11.1 kg (24.5 lb) 12.8 kg (28.2 lb)	13.2 kg (29.1 lb) 14.5 kg (32 lb)
Widescreen (16:9) displays			10.8 kg (23.8 lb)		13 kg (28.7 lb)
Enclosure ratings With aluminum bezels	<ul style="list-style-type: none"> • UL 50 Type 1, 4, and 12 (indoor use only) • IEC 60529, IP66 				
With stainless steel bezels	<ul style="list-style-type: none"> • UL 50 Type 1, 4, 4X, and 12 (indoor use only) • IEC 60529, IP66 				
Temperature, operating ⁽¹⁾ Display sizes (aspect ratio): Non-display, 12 in. (4:3), 15 in. (4:3), and 17 in. (5:4)	0...55 °C (32...131 °F)				
15.6 in. (16:9), 18.5 in. (16:9), and 19 in. (5:4)	0...50 °C (32...122 °F) ⁽³⁾				
Temperature, non-operating	-20...+60 °C (-4...140 °F)				
Altitude, operating	Sea level to 2,000 m (6,562 ft)				
Altitude, non-operating	Sea level to 12,192 m (40,000 ft)				
Relative humidity	10...90% noncondensing at 50%				
Shock, operating ⁽¹⁾⁽²⁾	15 g (½ sine, 11 ms)				
Shock, non-operating ⁽¹⁾⁽²⁾	30 g (½ sine, 11 ms)				
Vibration, operating ⁽¹⁾⁽²⁾	0.012 in p-p, 10...57 Hz, 2.0 g peak sine, 57...640 Hz				
Vibration, non-operating ⁽¹⁾⁽²⁾	0.018 in p-p, 10...57 Hz, 3.0 g peak sine, 57...640 Hz				

(1) The optical disc drive (ODD) is considered a maintenance device. Therefore, do not operate computers with ODDs in temperatures above 45 °C (113 °F) or in environments with the shock and vibration levels listed.

(2) Does not apply to bookshelf mounted non-display computers.

(3) Computers rated to 50 °C max operating temperature were tested under typical load conditions, which includes the following:

- Passmark BurnInTest software, version 7.1 or higher running at 50%
- Windows 7 Professional 64 bit OS
- One storage drive
- Three USB ports in use
- Both Ethernet ports in use
- Display brightness at default 70% setting
- 12 W max load on PCIe x8 rider card slot
- Keyboard and mouse peripherals attached
- Two external displays attached

In applications where these computers are fully loaded, the max operating temperature is 45 °C (113 °F).

Table 19 - Power Specifications

Customer Loading	Attribute	All 6181P Performance Models					All 6181P Advanced Models					
		NDM	12 in.	15 in.	17 in.	19 in.	NDM	15 in. widescreen	15 in.	17 in.	19 in. widescreen	19 in.
Typical	Input power, (W)	29	35	36	48	56	40	48	47	58	52	66
	Heat dissipation, (BTU/hr.)	98	119	123	164	191	136	164	160	198	177	225
Maximum	Input power, (W)	113	120	122	136	144	140	148	147	158	151	167
	Heat dissipation, (BTU/hr.)	386	409	416	464	491	478	505	502	539	515	570

Attribute	All 6181P Models
AC models	
Input voltage	100...240V, autoranging
Input power	100...240V; 1.8...0.75 A 50/60 Hz; 180VA
DC models	
Input voltage	18...32V
Input power	18...32V; 10.0...5.63 A; 180 W SELV
Ratings, max	
USB 3.0 port	900 mA ⁽¹⁾
PCIe slot	12 W internal, 28 W external (40 W total)

(1) Per port. Maximum of two ports loaded at 900 mA and all other ports at 500 mA.

Table 20 - Certifications

Attribute ⁽¹⁾	All 6181P Models																																																																					
c-UL-us	UL/c-UL Listed per UL 60950-1 and CSA C22.2 60950-1 second edition																																																																					
CE	EMC 2004/108/EEC <ul style="list-style-type: none"> Immunity standards: EN55024, EN61000-3-2, EN61000-3-3 Emission standards: EN55022 Class A EN 60950-1 EU REACH: Regulation No. 1907/2006 of the European Parliament ⁽²⁾ Waste Electrical and Electronic Equipment (WEEE) 2002/96/EC Metric Directive 80/181/EEC EU Battery Directive 2006/66/EC Low voltage directive: LVD 2006/95/EC																																																																					
FCC	Class A emissions																																																																					
RCM	Emission standards: AS/NZS CISPR 22 Class A																																																																					
RoHS	European RoHS 2011/65/EU China RoHS: <table border="1" style="width: 100%; border-collapse: collapse;"> <thead> <tr> <th rowspan="2">部件名称 Part Name</th> <th colspan="6">有毒有害物质或元素 Toxic or Hazardous Substances and Elements</th> </tr> <tr> <th>铅 Lead (Pb)</th> <th>汞 Mercury (Hg)</th> <th>镉 Cadmium (Cd)</th> <th>六价铬 Hexavalent Chromium (Cr(VI))</th> <th>多溴联苯 Polybrominated Biphenyls (PBB)</th> <th>多溴二苯醚 Polybrominated Diphenyl Ethers (PBDE)</th> </tr> </thead> <tbody> <tr> <td>壳体 Housing</td> <td>X</td> <td>0</td> <td>0</td> <td>0</td> <td>0</td> <td>0</td> </tr> <tr> <td>显示 Display</td> <td>X</td> <td>0</td> <td>0</td> <td>0</td> <td>0</td> <td>0</td> </tr> <tr> <td>印刷电路板 Printed Circuit Board</td> <td>X</td> <td>0</td> <td>0</td> <td>0</td> <td>0</td> <td>0</td> </tr> <tr> <td>金属螺帽 Metal Fasteners</td> <td>X</td> <td>0</td> <td>0</td> <td>0</td> <td>0</td> <td>0</td> </tr> <tr> <td>电缆组装 Cable Assembly</td> <td>X</td> <td>0</td> <td>0</td> <td>0</td> <td>0</td> <td>0</td> </tr> <tr> <td>风扇组装 Fan Assembly</td> <td>X</td> <td>0</td> <td>0</td> <td>0</td> <td>0</td> <td>0</td> </tr> <tr> <td>电力供应组装 Power Supply Assemblies</td> <td>X</td> <td>0</td> <td>0</td> <td>0</td> <td>0</td> <td>0</td> </tr> <tr> <td>电池 Battery</td> <td>0</td> <td>0</td> <td>0</td> <td>0</td> <td>0</td> <td>0</td> </tr> </tbody> </table> <p>本表格依据SJ/T11364 的规定编制。 This table is made per guidance of SJ/T 11364.</p> <p>0: 表示该有害物质在该部件所有均质材料中的含量均在GB/T26572 规定的限量要求以下。 0: Indicates that this toxic or hazardous substance contained in all of the homogeneous materials for the part is below the limit requirement in GB/T 26572.</p> <p>X: 表示该有害物质至少在该部件的某一均质材料中的含量超出GB/T26572 规定的限量要求。 X: Indicates that this toxic or hazardous substance contained in at least one of the homogeneous materials for the part is below the limit requirement in GB/T 26572.</p>	部件名称 Part Name	有毒有害物质或元素 Toxic or Hazardous Substances and Elements						铅 Lead (Pb)	汞 Mercury (Hg)	镉 Cadmium (Cd)	六价铬 Hexavalent Chromium (Cr(VI))	多溴联苯 Polybrominated Biphenyls (PBB)	多溴二苯醚 Polybrominated Diphenyl Ethers (PBDE)	壳体 Housing	X	0	0	0	0	0	显示 Display	X	0	0	0	0	0	印刷电路板 Printed Circuit Board	X	0	0	0	0	0	金属螺帽 Metal Fasteners	X	0	0	0	0	0	电缆组装 Cable Assembly	X	0	0	0	0	0	风扇组装 Fan Assembly	X	0	0	0	0	0	电力供应组装 Power Supply Assemblies	X	0	0	0	0	0	电池 Battery	0	0	0	0	0	0
部件名称 Part Name	有毒有害物质或元素 Toxic or Hazardous Substances and Elements																																																																					
	铅 Lead (Pb)	汞 Mercury (Hg)	镉 Cadmium (Cd)	六价铬 Hexavalent Chromium (Cr(VI))	多溴联苯 Polybrominated Biphenyls (PBB)	多溴二苯醚 Polybrominated Diphenyl Ethers (PBDE)																																																																
壳体 Housing	X	0	0	0	0	0																																																																
显示 Display	X	0	0	0	0	0																																																																
印刷电路板 Printed Circuit Board	X	0	0	0	0	0																																																																
金属螺帽 Metal Fasteners	X	0	0	0	0	0																																																																
电缆组装 Cable Assembly	X	0	0	0	0	0																																																																
风扇组装 Fan Assembly	X	0	0	0	0	0																																																																
电力供应组装 Power Supply Assemblies	X	0	0	0	0	0																																																																
电池 Battery	0	0	0	0	0	0																																																																
	Turkey RoHS (EEE Yönetmeliğine Uygundur. In Conformity with the EEE Regulation)																																																																					
Korea	Korean Certification of Broadcasting and Communications Equipment, compliant with Article 58-2 of Radio Waves Act, Clause 2 Emissions standards: Class A 이 기기는 업무용 (A 급) 전자파적합기기로서 판매자 또는 사용자는 이 점을 주의 하시기 바라며, 가정 외의 지역에서 사용하는 것을 목적으로 합니다.																																																																					
EAC (TR CU)	Low Voltage TR CU 004/2011 EMC TR CU 020/2011																																																																					

(1) See <http://www.rockwellautomation.com/certification> for declarations of conformity, certificates, and other certification details.

(2) Rockwell Automation® maintains current product environmental information on its website at <http://www.rockwellautomation.com/rockwellautomation/about-us/sustainability-ethics/product-environmental-compliance.page>.

Accessories Installation

Objectives

This appendix provides information on how to install accessories that are available for this computer.

This appendix covers the following topics:

- [Available Accessories](#)
- [Pre-installation Checklist](#)
- [Install an Add-in Card](#)
- [Install More Memory](#)
- [Install the Bookshelf Mounting Bracket](#)
- [Install an Optical Disk Drive](#)

You can view a current list of accessories at this Rockwell Automation website: <http://ab.rockwellautomation.com/Computers>.

IMPORTANT We recommend that you use only Allen-Bradley® approved accessories. Refer to <http://ab.rockwellautomation.com/Computers> for qualified replacement parts and accessories.

Available Accessories

You can view a list of available accessories at <http://ab.rockwellautomation.com/Computers/Integrated-Display-Computers/Bulletin-6181#selection>.

Review the specifications of a new component before you install it to verify that it is compatible with the computer. Record the model, serial number, and any other pertinent information of new components for future reference.

IMPORTANT We recommend that you use only Allen-Bradley approved accessories.

Pre-installation Checklist

Review the following information before you install any accessories:

- [Voltage Precautions on page 41](#)
- [Electrostatic Discharge Precautions on page 42](#)

Install an Add-in Card

Display and non-display computers support half-length, full-height add-in cards. Half-length PCI/PCIe cards are 106.68 mm (4.2 in.) high by 175.26 mm (7.0 in.) long.

The following table lists PCI/PCIe slots and configurations supported by the display and non-display computers.

Computer Model	Default One-slot Configuration	Alternate One-slot Using PCI Riser Kit (Cat. No. 6189V-PCIR)	Alternate Two-slot Using PCI/PCIe Extender Kit (Cat. No. 6189V-EXTPC12)
All display and non-display	1 PCI Express x8	1 PCI	<ul style="list-style-type: none"> • 2 PCI • 2 PCIe x4 • 1 PCIe x4 + 1 PCI

Any PCI/PCIe configuration supports 12 W (maximum) internal to the PCI/PCIe slot and 28 W (maximum) external to the computer, for a maximum load of 40 W. Verify that your card does not exceed its thermal ratings.

When the computer operates at its maximum rated temperature, the ambient temperature in the PCI/PCIe slot with a 4 W fanless card can reach 70 °C (158 °F). With a 12 W load, the ambient temperature can reach 90 °C (194 °F). Your PCI/PCIe slot temperatures can be lower based on the power usage of your specific application.



ATTENTION: Add-in cards are sensitive to ESD and require careful handling:

- Hold cards only by the edges.
- Do not touch the card connectors, components, or circuits.
- After you remove an add-in card, place it on a flat, static-free surface, component side up.
- Do not slide the card over any surface.

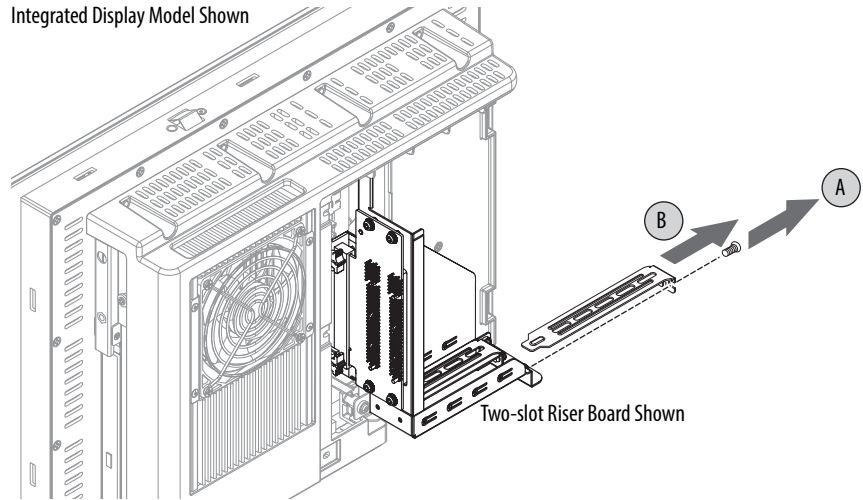
IMPORTANT Use an antistatic wriststrap connected to the work surface, and properly grounded tools and equipment.

Follows these steps to install an add-in card (the performance computer is shown).

1. Follow the steps for [Pre-configuration on page 42](#).
2. Remove the computer cover as detailed in [Remove the Cover on page 43](#).

3. Remove the screw that secures the slot cover (A).
4. Pull out the slot cover (B) and store it.

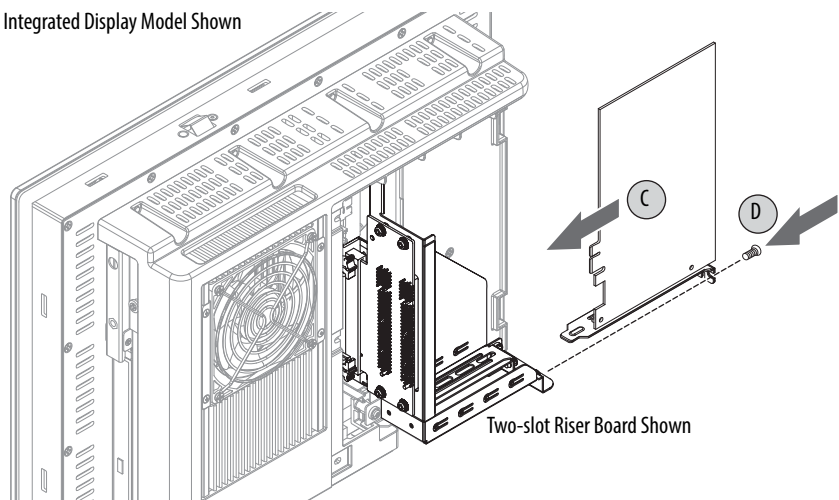
Integrated Display Model Shown



ATTENTION: Do not discard the slot cover. If the add-in card is removed in the future, the slot cover must be reinstalled to maintain proper cooling.

5. Remove the add-in card from its protective packaging.
6. Slide the add-in card into a compatible riser board slot (C).
Press to verify that it is firmly seated in the slot.
7. Secure the add-in card with the screw (D).

Integrated Display Model Shown



8. Connect any necessary cables to the add-in card.
9. See any installation instructions that came with the add-in card to verify that all installation steps are followed.
10. Follow the steps for [Post-configuration on page 43](#).

PCI/PCIe Riser Board Options

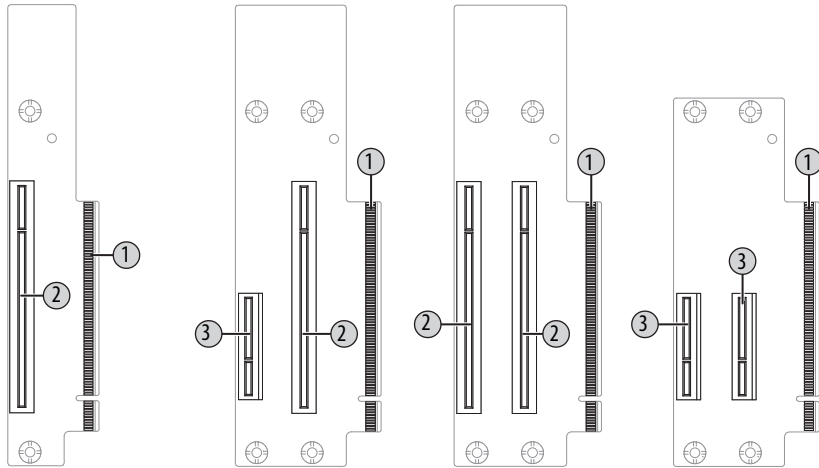
You can use the PCI/PCIe expansion slot kit, catalog number 6189V-EXTPCI2, to change the default one-slot PCI/PCIe riser board to the following:

- Two-slot PCI riser board
- Two-slot PCIe x4 riser board
- Two-slot riser board with one PCI slot and one PCIe x4 slot

Figure 19 - PCI/PCIe Riser Board Options

One-slot PCI Riser Kit,
Cat. No. 6189V-PCIR

Alternate Two-slot PCI/PCIe Extender Kit, Cat. No. 6189V-EXTPCI2



Item	Component
1	Motherboard connector
2	PCI expansion slot
3	PCIe x4 expansion slot

Follow these steps to install the PCI/PCIe expansion slot kit (the display computer is shown)



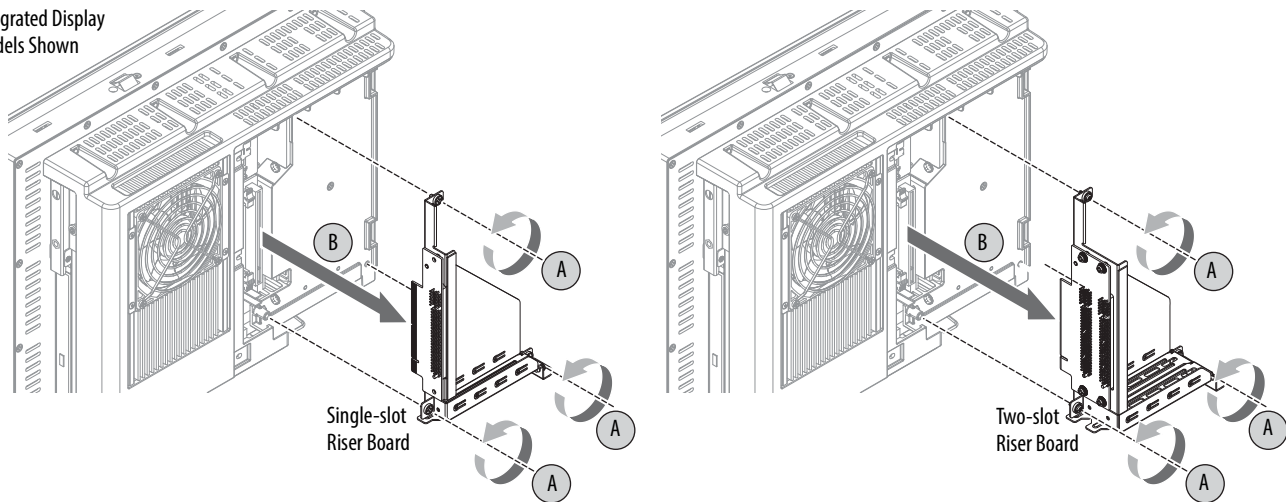
SHOCK HAZARD: Electrostatic discharge (ESD) can damage the computer and components. Read and follow [Electrostatic Discharge Precautions on page 42](#) before you remove the rear cover.

Failure to follow proper safety precautions could result in severe electrical shock or damage to the computer.

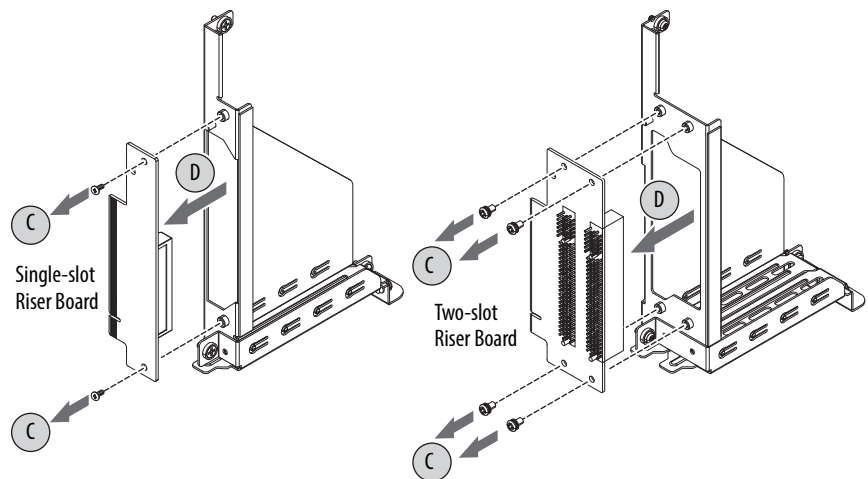
1. Follow the steps for [Pre-configuration on page 42](#).
2. Remove the computer cover as detailed in [Remove the Cover on page 43](#).
3. Remove the three screws that secure the default PCIe x8 riser board bracket (A).

- Remove the PCIe x8 riser board assembly from the chassis (B).

Integrated Display
Models Shown



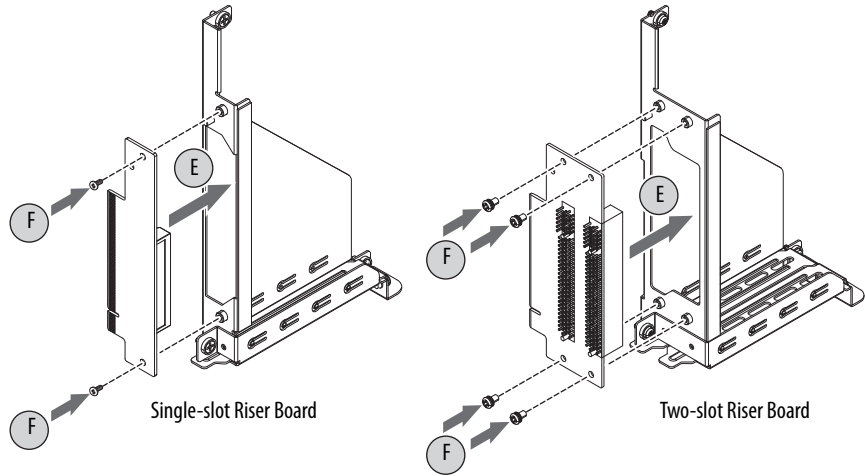
- Remove the screws that secure the default riser board (C).
- Remove the riser board from its bracket (D).



- Place the default riser board with its screw on a static-dissipating work surface or inside an antistatic bag.
- Hold the new riser board by its edge and remove it from its protective packaging.
- Align the new riser board with the PCI/PCIe riser board bracket (E).

10. Secure it with the screws provided with the kit (F)

If you are installing	Then use	Secure it with
A two-slot riser board	The PCI/PCIe riser bracket provided with the kit	Four screws
A single-slot riser board	The default PCI/PCIe riser bracket	Two screws

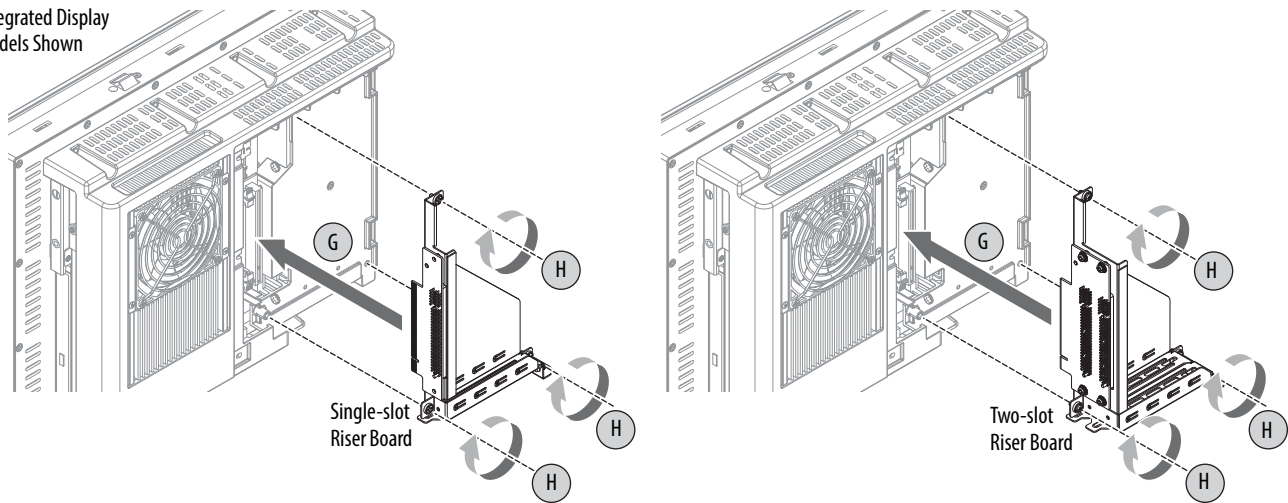


11. Insert the riser board connector in the onboard expansion slot.

Verify that the board is properly seated in the slot (G).

12. Tighten the three screws to secure the PCI/PCIe riser board assembly to the chassis (H).

Integrated Display Models Shown



IMPORTANT Verify that the mounting bracket does not pinch any cables under the bracket.

If you intend to install	Then
A compatible add-in card now	Proceed to page 120 for instructions.
An add-in card later	1. Reinstall the rear cover. 2. Apply power to the computer.

13. Follow the steps for [Post-configuration on page 43](#).

Install More Memory

The motherboard of the integrated display computers has two SO-DIMM slots that support up to 16 GB maximum system memory.

For further information on how to install more memory, see [Replace or Add Memory Modules on page 47](#).

Install the Bookshelf Mounting Bracket

A bookshelf mounting bracket is available only for non-display computers.

Table 21 - Available Bookshelf Mounting Bracket

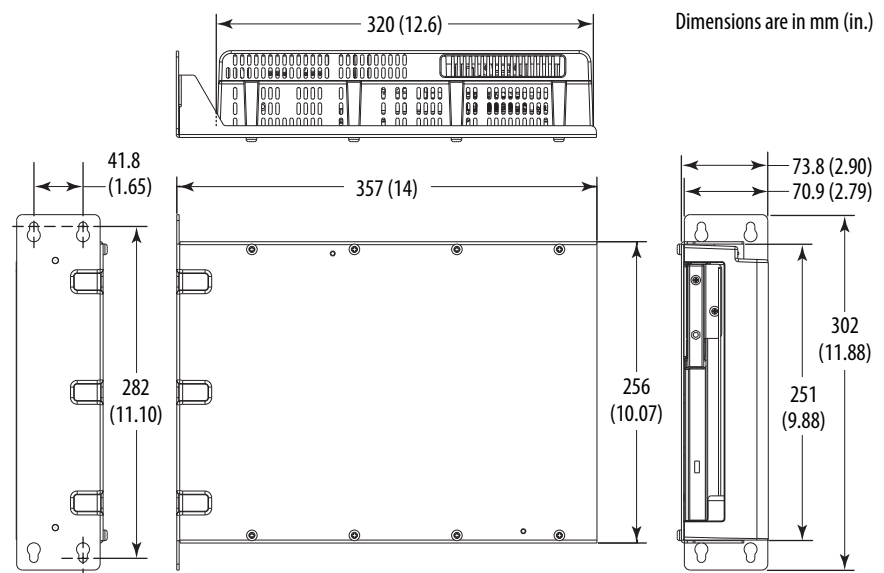
Cat. No.	Description
6189V-BOOKBRKT	Bookshelf mounting bracket and 8 mounting screws

Follow these steps to mount the bracket and to attach a non-display computer to the bracket.

- Decide where you want to mount the bracket.
 - If you plan to mount the bracket and computer in a panel, see [Panel Mounting Guidelines on page 26](#).
 - See [Figure 20](#) for the bookshelf mounting bracket dimensions. Verify that the mounting location provides room for peripheral connections and adequate ventilation for the non-display computer.

IMPORTANT See [Figure 16 on page 30](#) for acceptable mounting positions for the bookshelf mounting bracket.

Figure 20 - Bookshelf Mounting Bracket Dimensions



- With the mounting bracket as your template, mark and drill the four holes that you need to mount the bracket.

3. Mount the mounting bracket.

Tighten the four screws to a torque that is appropriate for the screws and mounted material.

4. Remove the eight screws that secure the back cover of the computer.

See [Figure 7 on page 22](#) for where these screws are located.

Save these eight screws and the back cover.

5. Use the eight screws supplied with the mounting bracket to mount the computer to the bracket.

Tighten to a torque that is appropriate for the screws.

6. See [Chapter 3](#) for operating guidelines and to start the computer after the computer and bracket are mounted.

Install an Optical Disk Drive

Performance models are not sold with an optical disk drive (ODD) but one can be installed.

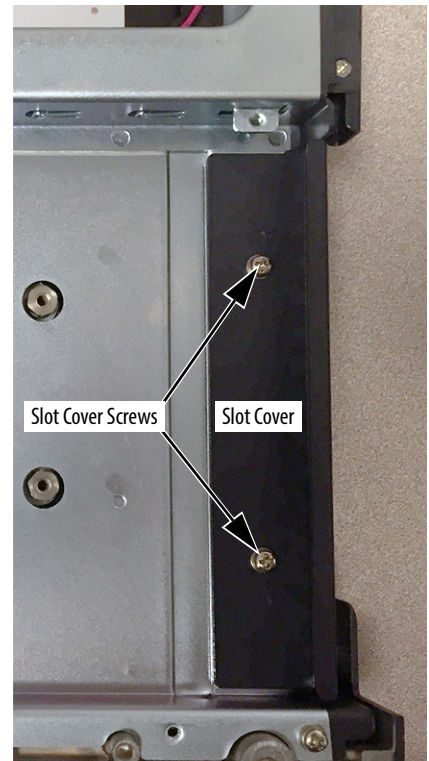
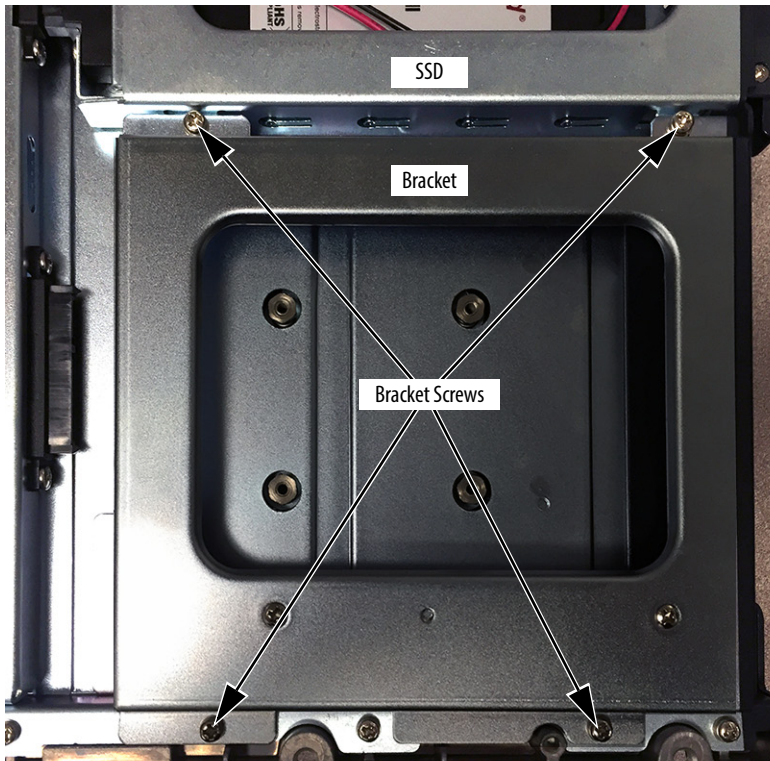
IMPORTANT Use an antistatic wriststrap that is connected to the work surface and properly grounded tools and equipment when you handle internal computer components.

Table 22 - Available ODD

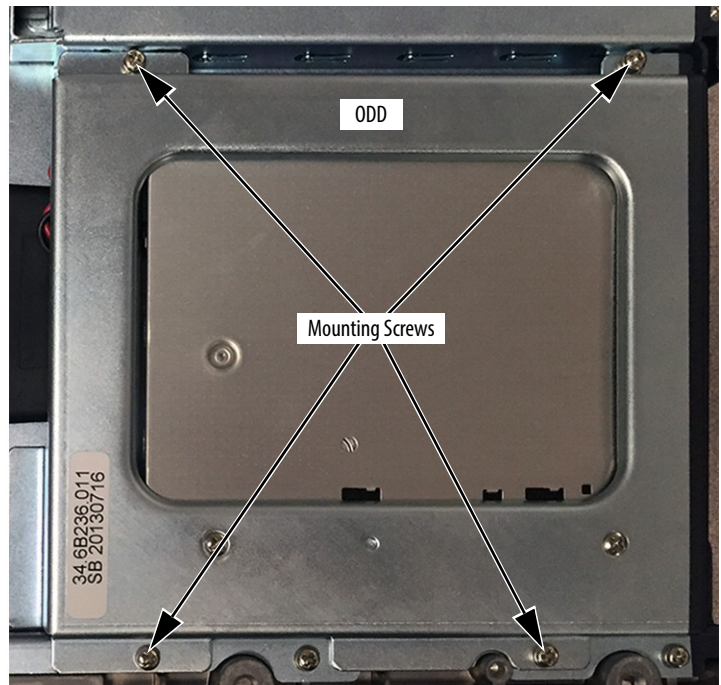
Cat. No.	Description
6189V-ODD	Optical disk drive (ODD) and four mounting screws

1. To access the ODD bay, follow steps 1...6 for [Replace the Power Supply Unit on page 51](#).
2. Turn over the computer to access the ODD bay.
The ODD bay is next to the solid-state drive (SSD).
3. Remove the four bracket screws.
4. Discard the bracket and four bracket screws.

5. Remove the two slot cover screws.
6. Discard the slot cover and screws.

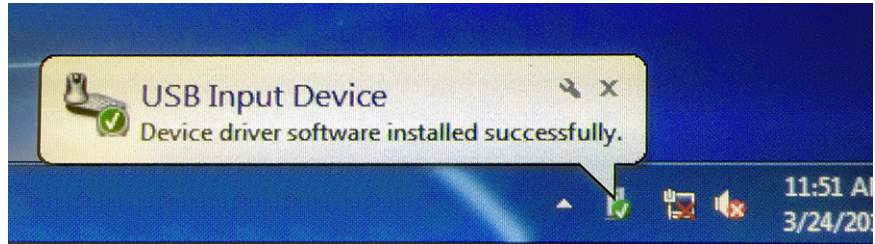


7. Plug in the SATA cable connection of the ODD.
8. Install the ODD with the four supplied mounting screws.



9. Reassemble the computer in the reverse order of the removal steps.
10. Follow the steps for [Post-configuration on page 43](#).

When you restart the computer, it will automatically detect the ODD in the BIOS and OS, so no additional configuration is needed.



Numerics

- 1450R**
 - product dimensions 25
- 750R**
 - product dimensions 25

A

- accessories** 41, 119
- add-in cards**
 - PCI expansion slot kit
 - options 122, 125
 - riser board options 122, 125
 - troubleshoot 98
 - troubleshooting 98
- audio jacks**
 - in non-display computers 13
 - in performance computers 14

B

- BIOS Setup utility** 57
 - access 58
 - Setup screen 58

C

- calibrating touch screen** 104
- cleaning the computer**
 - chassis 106
 - display 105, 106
 - paint/grease marks 106
- CMOS clear** 101
- CompactFlash card**
 - slot locations 44
- component replacement**
 - CompactFlash card 44
- configuration tools**
 - installation 26

D

- DC power**
 - connect 33
- diagnostic utility**
 - usage 81
- DIMM slots**
 - install memory 48
- display**
 - cleaning precautions 105, 106

E

- Ethernet connection** 35

F

- features**
 - system boards 15
- Firmware Configuration**
 - Advanced 62
 - Boot 78
 - Chipset 75
 - Main 61
 - Save & Exit 80
 - Security 79
- functional ground screw** 34

H

- hardware diagnostics** 95
- hardware features**
 - non-display 13
 - performance 14, 15, 16
- hardware monitor** 95

I

- I/O connections** 31
- installation**
 - connect peripherals 31
 - connect to LAN 35
 - environment and enclosure notice 20
 - guidelines 21
 - product dimensions 22
 - required tools 26

L

- LAN connection** 35

M

- maintenance**
 - clean the computer 105
 - cleaning display 105
- memory**
 - installation guidelines 48
 - installation precautions 47
- mounting**
 - panel mounting 28

N

- network connection**
 - Ethernet LAN 107, 108, 109, 110, 111, 112, 113, 114, 115
 - LAN cable reminder 20

O**optical disk drive**

specifications 107, 108, 109, 111, 112, 114, 115

P**panel mounting**

guidelines 26
panel cutout 27

parts list 13**PCI Expansion Slot Kit**

install 122

peripherals

connect 31

POST, see Power On Self Test**power**

DC 33
functional ground screw 34

power connection

notices 32

Power On Self Test**power supply unit (PSU)**

replace 51, 54, 126

product dimensions

1200P display, performance 23
1200P non-display 22
1500P display, performance 23
1700P display, performance 24, 25

R**rear cover**

install, performance/non-display 44
remove, performance/non-display 43

replace components

post-configuration procedure 43
pre-configuration procedure 42

replacement parts 41, 119**RTC battery**

estimated life span 49

S**Setup menu**

AMI Rescue 83
Diagnostics 81
Exit 94
Firmware Configuration 60
Firmware Update 59

shut down procedure 39**solid-state drive**

precautions 45
removal 45
replace 119
specifications 107, 108, 109, 110, 111, 112, 113, 114, 115

system

defaults 100

system views

non-display, bottom 13
non-display, rear 13
non-display, sides 13
performance, front 14, 15, 16
performance, rear 14, 15, 16
performance, sides 14, 15, 16

T**touch screen**

calibrating 104
driver software 103
serial port 103
type 104

troubleshooting

add-in card installation 98
add-in card problem 98
after boot-up 97
checklists 97
clearing CMOS 101
diagnostic utility 99
during boot-up 97
external display problem 99
hardware monitor 95
integrated display problem 98
load system defaults 100
procedure 58, 96

U**unpacking reminders** 12

Rockwell Automation Support

Use the following resources to access support information.

Technical Support Center	Knowledgebase Articles, How-to Videos, FAQs, Chat, User Forums, and Product Notification Updates.	https://rockwellautomation.custhelp.com/
Local Technical Support Phone Numbers	Locate the phone number for your country.	http://www.rockwellautomation.com/global/support/get-support-now.page
Direct Dial Codes	Find the Direct Dial Code for your product. Use the code to route your call directly to a technical support engineer.	http://www.rockwellautomation.com/global/support/direct-dial.page
Literature Library	Installation Instructions, Manuals, Brochures, and Technical Data.	http://www.rockwellautomation.com/global/literature-library/overview.page
Product Compatibility and Download Center (PCDC)	Get help determining how products interact, check features and capabilities, and find associated firmware.	http://www.rockwellautomation.com/global/support/pcdc.page

Documentation Feedback

Your comments will help us serve your documentation needs better. If you have any suggestions on how to improve this document, complete the How Are We Doing? form at http://literature.rockwellautomation.com/idc/groups/literature/documents/du/ra-du002_-en-e.pdf.

Rockwell Automation maintains current product environmental information on its website at <http://www.rockwellautomation.com/rockwellautomation/about-us/sustainability-ethics/product-environmental-compliance.page>.

Allen-Bradley, Rockwell Software, and Rockwell Automation are trademarks of Rockwell Automation, Inc.

Trademarks not belonging to Rockwell Automation are property of their respective companies.

Rockwell Otomasyon Ticaret A.Ş., Kar Plaza İş Merkezi E Blok Kat:6 34752 İçerenköy, İstanbul, Tel: +90 (216) 5698400

www.rockwellautomation.com

Power, Control and Information Solutions Headquarters

Americas: Rockwell Automation, 1201 South Second Street, Milwaukee, WI 53204-2496 USA, Tel: (1) 414.382.2000, Fax: (1) 414.382.4444

Europe/Middle East/Africa: Rockwell Automation NV, Pegasus Park, De Kleetlaan 12a, 1831 Diegem, Belgium, Tel: (32) 2 663 0600, Fax: (32) 2 663 0640

Asia Pacific: Rockwell Automation, Level 14, Core F, Cyberport 3, 100 Cyberport Road, Hong Kong, Tel: (852) 2887 4788, Fax: (852) 2508 1846