

# SHOWER PAN DRAIN

## 821 SERIES

### SPECIFICATION

Sioux Chief 821 series shower pan drain shall be used where necessary in drainage systems. Drain shall have a beveled flashing base adapter with mounting holes for subfloor installation. Strainer shall meet all load and flow requirements for installations in shower areas. Invertible clamping collar shall fasten to drain body with four screws that thread into brass inserts. Drain body shall have a 2" Sch. 40 hub connection and connect to DWV pipe via solvent weld joint. Designed in accordance with ASME A112.18.2-2005 / CSA B125.2-05.

### MATERIALS

head/strainer: Chrome-plated zinc  
 clamping collar: Gray ABS  
 collar bolts: zinc-plated hex cap screws  
 base adapter: Gray PVC or black ABS

### STRAINER LOAD RATING

500 lbs.

### STRAINER FREE AREA

round: 3.9 in<sup>2</sup>  
 square: 4.9 in<sup>2</sup>

### STRAINER FLOW CAPACITY\*

round: 8.5 GPM  
 square: 10.6 GPM

### DIMENSIONS

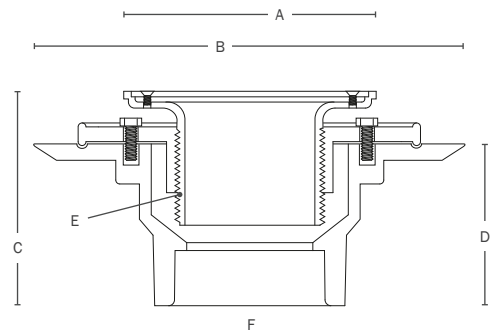
A: top diameter 4 1/8"  
 B: flange diameter 6 5/8"  
 C: adjustable height 3 3/8" - 5 1/2"  
 D: drain body height 2 5/8"  
 E: head adapter thread 2" MIP  
 F: connection 2" Sch. 40 hub

\* Estimated/calculated flow rate through the strainer (not the entire drain) at 1/4" head.

ITEM # SUBMITTED	_____
JOB NAME	_____
LOCATION	_____
ENGINEER	_____
CONTRACTOR	_____
PO#	_____ TAG _____



821-2PCP



## Create Item Number

### 821-ABC

e.g. 821-2PCP: Shower drain with round chrome-plated head/strainer and 2" PVC Sch. 40 hub connection

#### A TEST PLUG

- T DoubleDuty™ test plug included
- \_ No test plug

#### B CONNECTION

- 2A ABS Sch. 40 hub
- 2P PVC Sch. 40 hub

#### C HEAD/STRAINER

- CP Chrome-plated - round
- QCP Chrome-plated - square
- RB Oil-rubbed bronze finish<sup>1</sup> - round
- QRB Oil-rubbed bronze finish<sup>1</sup> - square

<sup>1</sup> Powder-coat finish applied to chrome-plated head/strainer