

# FIRE-RATED WASHING MACHINE OUTLET BOX

» 696R SERIES

OxBox™

ITEM # SUBMITTED	_____
JOB NAME	_____
LOCATION	_____
ENGINEER	_____
CONTRACTOR	_____
PO#	_____ TAG _____

## SPECIFICATION

Sioux Chief 696R series OxBox fire-rated double hose bibb outlet connection outlet boxes shall be used where necessary in plumbing supply/drainage systems. Unit shall allow for mounting with supply lines from top or bottom while straddling the stud. Unit shall be available with plain valves or valves with water hammer arresters. Arresters shall be certified to ASSE 1010 and shall be UPC listed. Metal support bracket shall install into top tracks of boxes for added support. Metal clip shall be installed on side slots of boxes in desired configuration. Drain box shall have a 5/8" integral testable nipple on knockout. Outlet connections shall be generally 3/4".

## MATERIALS

- Outlet box:** ABS
- Frame:** fire-rated ABS
- Frame extension\*:** fire-rated ABS
- Bracket:** galvanized steel
- Box clip:** galvanized steel
- Arrester clip/valve platform:** ABS
- Arrester body:** stainless steel
- Arrester piston:** polypropylene with two EPDM o-rings
- Piston lubrication:** Dow-Corning, 111 FDA approved silicone compound
- Valve body:** chrome-plated forged brass

\*696-EX available separately. Used with two layers of drywall for 2-hour specifications

## VALVE/ARRESTER WORKING LIMITS

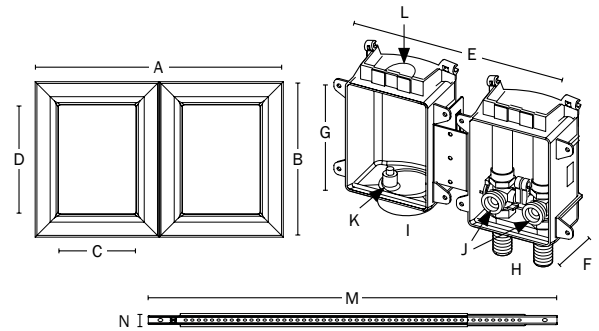
- Max working temperature:** 250°F
- Max testing air pressure:** 100 PSIG
- Max working/testing water pressure:** 250 PSIG

## DIMENSIONS

A: frame width	11½"
B: frame height	7¼"
C: frame opening width	3⅝"
D: frame opening height	5⅛"
E: rough-in box width	4" (single box) or 10" (double with clip)
F: rough-in box depth	3½"
G: rough-in box height	5½"
H: supply connection	½" nominal or 2" O.C.
I: drain connection	2" hub DWV
J: outlet connection	¾" male hose thread
K: test nipple	⅝" O.D.
L: secondary drainage knockout†	accepts ½", ¾" or 1" pipe
M: bracket length	18"
N: bracket width	⅝"



696R2313MF



## CERTIFICATIONS/APPROVALS

Listed by UPC/IAPMO to meet UPC  
 Conforms to IPC  
 Listed by Warnock Hersey to meet:  
 ASTM E-814, CAN/ULC S115  
 2 hours (F), 1½ hours (T) for 2-hour design  
 1 hour (F), 31 minutes (T) for 1-hour design  
 ASTM E-119, UL 1479  
 System design number:  
 SC/WA120, W/N 14409  
 Valves meet ASME A112.18.1



## Create Item Number

**696A23B3CF**

e.g. **696R2313MF**: fire-rated washing machine outlet box, MIP/female sweat valves with arresters, packaged with frame

### VALVES **A**

- R** = plain valves
- RG** = no lead valves<sup>1</sup>

### ARRESTER **B**

- 0** = no arrester
- 1** = with arrester

### SUPPLY CONNECTION **B**

- M** = ½" female sweat
- C** = ½" male CPVC
- X** = ½" PEX Crimp F1807
- W** = ½" PEX Grip F1960
- V** = ½" Viega PureFlow® PEX
- A** = ½" PEX Lock F2080

### ACCESSORIES

- 696-EX** = frame extension
- 696-CF** = secondary drain funnel

<sup>1</sup>Compliant with NSF-372 and California No Lead Plumbing Law

# FIRE-RATED OXBOX

## DESIGN SPECIFICATION

### 1 WALL CONSTRUCTION

- a Wood or metal stud construction, max 100 in.<sup>2</sup> of penetrations per 100 ft<sup>2</sup> of wall
- b Single-layer 5/8" gypsum construction with 1-hour fire rating
- c Double-layer 5/8" gypsum construction with 2-hour fire rating
- d Boxes cannot be installed back to back

### 2 PIPE/BOX SUPPORT

- a Each outlet box must be installed in a separate stud bay and attached to the stud, as shown below in "over-stud" or "separate stud bay" installation examples. Fire rating does not apply to installations of two or more boxes in the same stud bay.
- b Supplied support bar to be installed through at least one box's slotted opening
- c Supply lines to be installed using ordinary methods
- d Drain line to be supported using ordinary methods

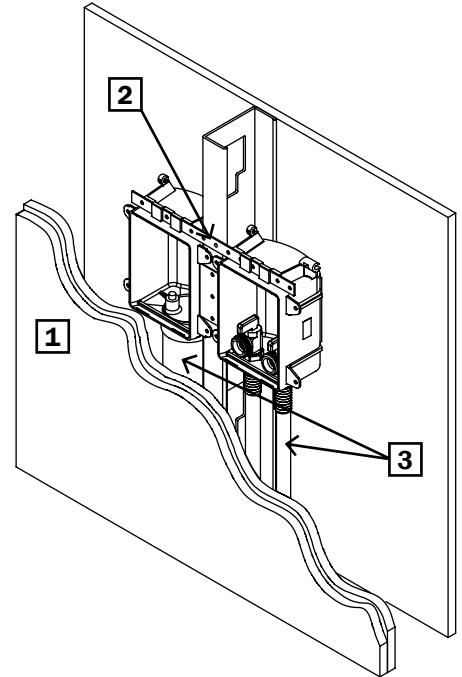
### 3 PIPE MATERIAL

- a 2" or larger metallic, PVC, or ABS DWV pipe
- b Metallic or plastic water supply pipe

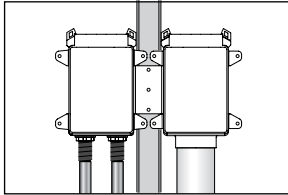
### 4 FIRESTOP DEVICE

- a Sioux Chief fire-rated OxBox frame and frame extension are constructed using fire-rated resin. Boxes have 4" x 4" intumescent adhesive pads factory installed on the back of boxes.

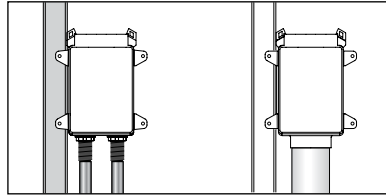
NOTE: Gaps up to 1/2" around box can be sealed with drywall plaster. Larger gaps require firestop sealant applied to opening spanning entire drywall depth



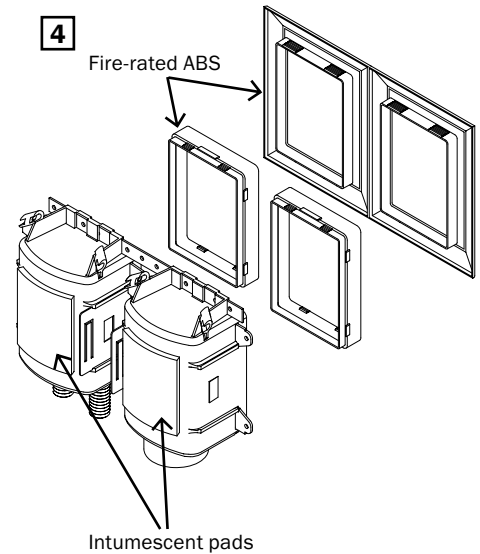
"over stud" installation



"separate stud bay" installation



4



**THE FIRE-RATED OX BOX IS CERTIFIED BY INTERTEK/WARNOCK HERSEY TO THE FOLLOWING FIRE RATING STANDARDS:**

<p><b>ASTM E-814</b>                  2 hours (F), 1½ hours (T)                  for 2-hour design                  1 hour (F), 31 mins (T)                  for 1-hour design  <b>ASTM E119</b></p>	<p><b>CAN/ULC S115</b>                  2 hours (F), 1½ hours (T)                  for 2-hour design                  1 hour (F), 31 mins (T)                  for 1-hour design  <b>UL 1479</b></p>	
--	--	--