

# ONE-WAY PUSH NUT

» 612 SERIES

CopperStar™ StainlessStar™

ITEM # SUBMITTED	_____
JOB NAME	_____
LOCATION	_____
ENGINEER	_____
CONTRACTOR	_____
PO#	_____ TAG _____

## SPECIFICATION

Sioux Chief 612 series Push Nuts shall be used in residential and commercial construction on 1/2", 3/4" and 1" nominal copper tube. Push Nut shall install over copper stub out in one direction flush against drywall or finished wall to minimize stub out movement.

## INSTALLATION

For use on copper tube only. Push flat side over copper tube flush against wall surface.

Note: This product may be installed at rough-in or against finished wall. One push nut on each side of the rough-in dry wall is recommended at tub spout supply.

## MATERIALS

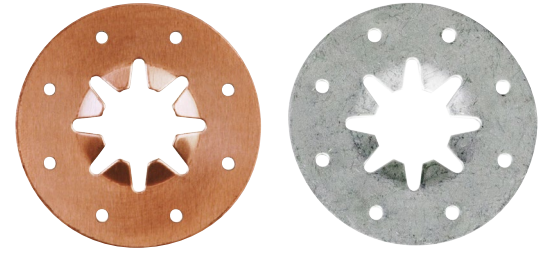
**Copper:** A-110 copper alloy

**Stainless:** Type 304 stainless steel

## DIMENSIONS

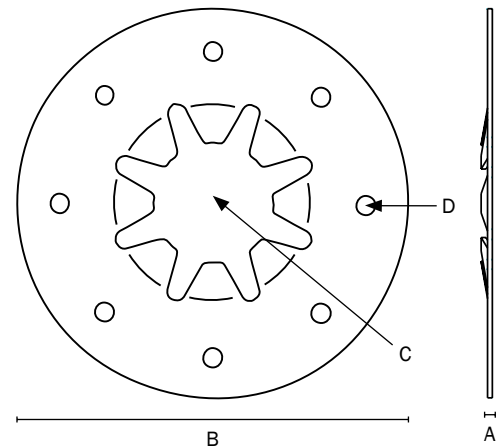
\* This product should be used on copper tube only. Do not use on PEX or CPVC.

CopperStar™	1/2"	3/4"	1"
A: Material thickness	.032"	.032"	.032"
B: O.D.	2.035"	2.035"	2.035"
C: I.D. (tube hole)	.615"	.867"	1.115"
D: Mounting hole:	.100"	.100"	.100"
StainlessStar™	1/2"	3/4"	1"
A: Material thickness	.026"	.026"	.026"
B: O.D.	2.035"	2.035"	2.035"
C: I.D. (tube hole)	.615"	.867"	1.115"
D: Mounting hole:	.100"	.100"	.100"



612-2

612-2S



## Create Item Number

### 612-AB

e.g. 612-2: 1/2" copper push nut

#### TUBE SIZE A

2 = 1/2" copper

3 = 3/4" copper

4 = 1" copper

#### TYPE B

\_ (blank) = copper

S = stainless steel