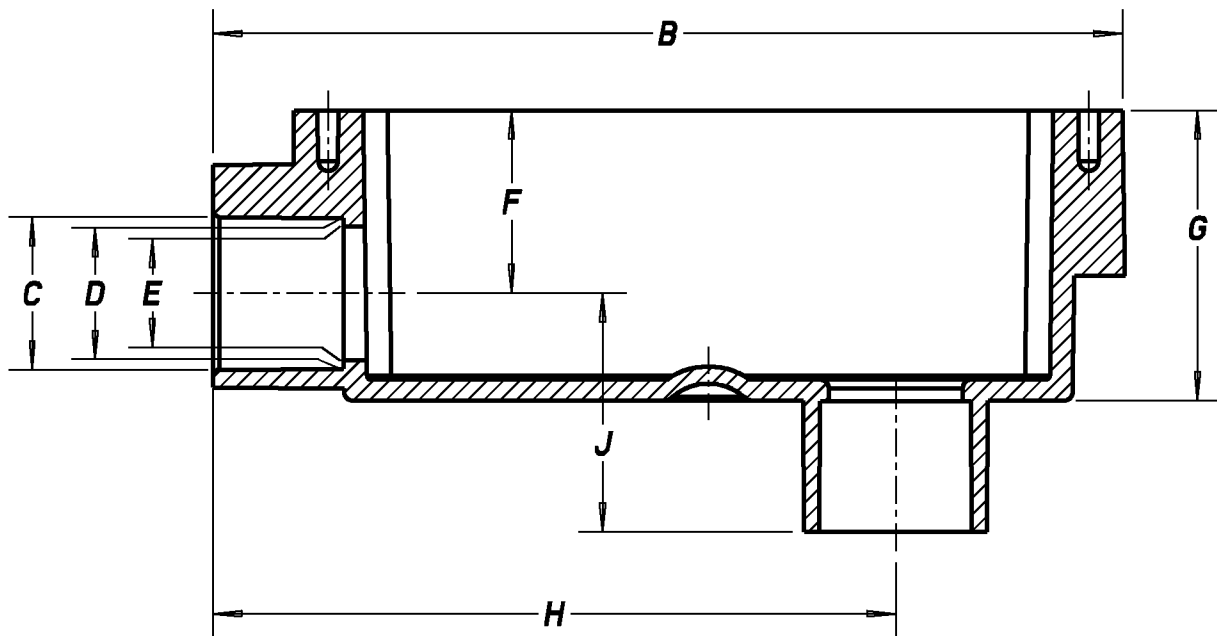
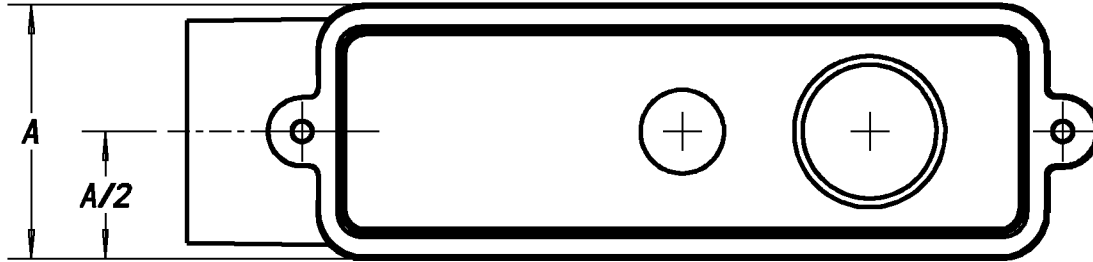


Carlton®



NOTES:

1.) PRODUCT, AS SOLD, INCLUDES A GASKET AND COVER.

GENERAL NOTES

1. ALL DIMENSIONS ARE FOR REFERENCE ONLY.
2. DIMENSIONS IN BRACKETS [] ARE IN METRIC UNITS.

REVISIONS

*** SEE ERN (****) FOR APPROVAL SIGNATURES & RELEASE DATE.
PROJECT NO: ****

Thomas & Betts
www.tnb.com

DESCRIPTION: **ACCESS FITTINGS - TYPE "LB"**

ORIGINAL PROJECT NO / (ERN NO)
/ ()

SHEET NO:
1 OF 2

REV. NO:
A

DRAWING NO:
WSD-AC05071

Carlton®

PART NO	SIZE	A	B	C	D	E	F	G	H	J
E986D E986D-BULK E986D-CAR E986DCL E986D-CTN E986DL	1/2"	1.35 [34.3]	4.29 [109.1]	0.85 [21.6]	0.84 [21.3]	0.76 [19.3]	0.82 [21.0]	1.50 [38.1]	3.00 [76.2]	1.31 [33.3]
E986E E986E-CAR E986ECL E986E-CTN E986EL	3/4"	1.77 [45.5]	6.32 [160.5]	1.06 [26.9]	1.05 [26.7]	0.93 [23.6]	1.27 [32.3]	2.02 [51.3]	4.74 [120.4]	1.76 [44.7]
E986F E986F-CAR E986FCL E986F-CTN E986FL	1"	1.77 [45.5]	6.32 [160.5]	1.33 [33.8]	1.31 [33.3]	1.25 [31.8]	1.15 [29.2]	2.02 [51.3]	4.74 [120.4]	1.76 [44.7]
E986G E986G-CAR E986GR E986GRCL E986GRL	1 1/4"	2.53 [64.3]	7.95 [201.9]	1.68 [42.7]	1.66 [42.2]	1.58 [40.1]	1.64 [41.7]	2.74 [69.6]	6.00 [152.4]	2.28 [57.9]
E986H E986H-CAR E986HR E986HRCL E986HRL	1 1/2"	2.53 [64.3]	7.95 [201.9]	1.92 [48.8]	1.89 [48.0]	1.81 [46.0]	1.50 [38.1]	2.74 [69.6]	6.00 [152.4]	2.28 [57.9]
E986J E986JCL E986J-CTN E986JL	2"	3.16 [80.3]	9.56 [242.9]	2.39 [60.7]	2.37 [60.2]	2.28 [57.9]	1.92 [48.8]	3.45 [87.6]	7.24 [183.9]	2.57 [65.8]

Thomas & Betts
www.tnb.com

DESCRIPTION: **ACCESS FITTINGS - TYPE "LB"**

SHEET NO:
2 OF 2

REV. NO:
A

DRAWING NO:
WSD-AC05071