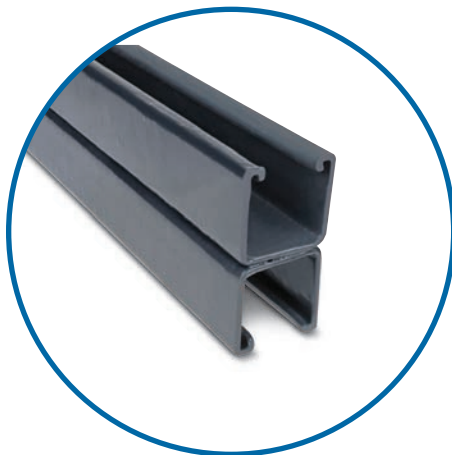


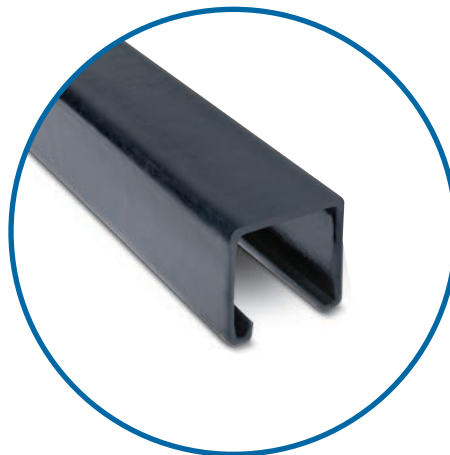
## Strut and Accessories

Rugged Steel Channels Protected by Corrosion-Resistant PVC!

### Ocal™ PVC-Coated Steel Strut



A12A

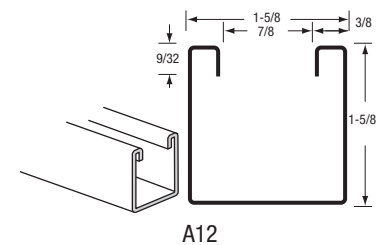


A12

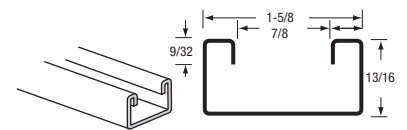


A12P

- Channels cold formed from hot-rolled pickled and oiled strip steel
- Nominal 0.015 in. (15 mils) PVC coating
- PVC coating available in your choice of blue, white or grey standard colours
- Custom colours also available on request
- Sold in 10 ft. (3.048 m) lengths with standard length tolerance of  $\pm 1/8$  in. (3.18 mm)
- Choose between standard 15/8 in. (41.28 mm) and shallow 13/16 in. (20.64 mm) depths
- Available in both solid and punched styles
- Available in 316 stainless steel (contact your Regional Sales Office)
- Strut accessories also available PVC Coated (contact your Regional Sales Office)



A12



C14

Cat. No.	Material	Colour
<b>A12-</b>	<b>-</b>	<b>_ = space for colour identifier</b>
	SA = Aluminum	G = Grey W = White B = Blue
<i>Catalogue No. Example:</i> <b>C14P-W</b> is shallow punched strut channel coated in white PVC.		
<small>Custom colours also available - Std. min. quantities are required. Please contact your Regional Sales Office.</small>		

Cat. No.	Style	Steel Gauge (mm)	in. (mm)	
			W	H
A12- <u>  </u>	Standard	12 (2.65)	1.63 x 1.63 (41.28 x 41.28)	
A12A- <u>  </u>	Back to Back	12 (2.65)	1.63 x 3.25 (41.28 x 82.55)	
A12P- <u>  </u>	Standard Punched	12 (2.65)	1.63 x 1.63 (41.28 x 41.28)	
C14- <u>  </u>	Shallow	14 (1.89)	1.63 x 0.81 (41.28 x 20.64)	
C14P- <u>  </u>	Shallow Punched	14 (1.89)	1.63 x 0.81 (41.28 x 20.64)	

## Strut and Accessories

Continuously Threaded Rods for Use With Conduit Hangers and Strut to Suspend Overhead Conduit Runs

### Ocal™ PVC-Coated Steel Strut



PVC-Coated All-Thread Rod

#### All-Thread Rods

- All-thread steel rods coated with nominal 0.015 in. (15 mils) PVC in blue, white or grey; custom colours available on request
- Available in 1/4 in., 3/8 in. or 1/2 in. standard diameters and in 3-, 6- or 10-ft. standard lengths
- Also available uncoated in Type 316 stainless steel

#### Ocal™ PVC-Coated Steel All-Thread Rods

Cat. No.	Trade Size in. (mm)	Length ft. (m)
THR1/4X10- <u>  </u>	1/4 (6.35)	10.00 (3.05)
THR3/8X3- <u>  </u>	3/8 (9.53)	3.00 (0.91)
THR3/8X6- <u>  </u>	3/8 (9.53)	6.00 (1.83)
THR3/8X10- <u>  </u>	3/8 (9.53)	10.00 (3.05)
THR1/2X3- <u>  </u>	1/2 (12.70)	3.00 (0.91)
THR1/2X6- <u>  </u>	1/2 (12.70)	6.00 (1.83)
THR1/2X10- <u>  </u>	1/2 (12.70)	10.00 (3.05)

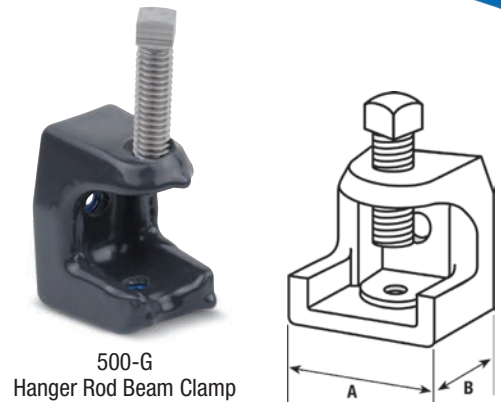
Cat. No.	Diameter X Length	Colour
<b>THR3/8X3-</b>		<u>  </u> = space for colour identifier
<i>Catalogue No. Example:</i> <b>NPL3/4X6-G</b> is 3/4 in. x 6 in. long steel nipple coated in grey PVC.	<b>G = Grey</b>	
	<b>W = White</b>	
	<b>B = Blue</b>	
Custom colours also available - Std. min. quantities are required. Please contact your Regional Sales Office.		

## Strut and Accessories

### Corrosion-Protected Clamps for Hanging Threaded Rod

#### Ocal™ PVC-Coated Hanger Rod Beam Clamps

- Malleable iron construction
- Nominal 0.015 in. (15 mils) PVC coating in blue, white, grey or custom colours
- 500, 502 and 503 also available uncoated in Type 316 stainless steel; add -SS316 to catalogue number to order (for example: 502-SS316)



500-G  
Hanger Rod Beam Clamp

Cat. No.	Base "A" in. (mm)	Base "B" in. (mm)	Jaw Opening in. (mm)	Tapped Hole in. (mm)	Load Rating‡ lb. (kg)
500- <u>  </u>	1 (25.40)	1-1/4 (31.75)	15/16 (23.81)	1/4 - 20 (6.35 - 20)	450 (204.12)
501- <u>  </u>	1-1/2 (38.10)	1-5/8 (41.28)	7/8 (22.23)	15/16 - 18 (7.94 - 18)	800 (362.87)
502- <u>  </u>	2 (50.80)	2 (50.80)	1 (25.40)	3/8 - 16 (9.53 - 16)	1300 (589.67)
503- <u>  </u>	2-5/8 (66.68)	2-1/2 (63.50)	1 (25.40)	1/2 - 13 (12.70 - 13)	1300 (589.67)
508- <u>  </u>	2-1/2 (63.50)	2-3/8 (60.33)	2-1/8 (53.98)	1/2 - 13 (12.70 - 13)	1700 (771.11)

‡ Load ratings based on bottom hole of beam clamp with safety factor of three. Metric size designator (ANSI C80.1-1994).

Cat. No.	Colour
<b>500-</b>	<u>  </u> = space for colour identifier
	G = Grey
	W = White
	B = Blue

Custom colours also available - Std. min. quantities are required. Please contact your Regional Sales Office.

## Includes Stainless Steel Bolt and Nut for Fast, Easy Installation

#### Ocal™ PVC-Coated Mini Conduit Hangers

- Nominal 0.015 in. (15 mils) PVC coating in blue, white, grey or custom colours
- Rated for loads of up to 500 lb. (226.80 kg) with a safety factor of three

Cat. No.	Pipe Size in. (mm)
MINE1/2- <u>  </u>	1/2 (16)
MINE3/4- <u>  </u>	3/4 (21)
MINE1- <u>  </u>	1 (27)
MINE1-1/4- <u>  </u>	1-1/4 (35)
MINE1-1/2- <u>  </u>	1-1/2 (41)

Cat. No.	Pipe Size in. (mm)
MINE2- <u>  </u>	2 (53)
MINE2-1/2- <u>  </u>	2-1/2 (63)
MINE3- <u>  </u>	3 (78)
MINE3-1/2- <u>  </u>	3-1/2 (91)
MINE4- <u>  </u>	4 (103)

Metric size designator (ANSI C80.1-1994).



MINE3/4-G  
Mini Conduit  
Hanger

Cat. No.	Colour
<b>MINE1-</b>	<u>  </u> = space for colour identifier
	G = Grey
	W = White
	B = Blue

Custom colours also available - Std. min. quantities are required. Please contact your Regional Sales Office.

## Strut and Accessories

Designed for Easy Attachment of Conduit to Strut!

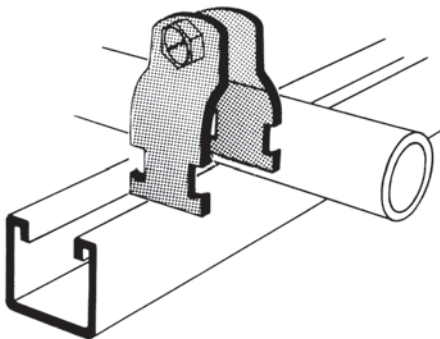
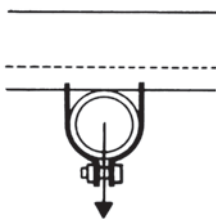


PVC-Coated Pipe Strap

### Pipe Straps for Strut

Just twist-insert these pipe straps anywhere you need them along the slot side of a channel. For additional flexibility, you can position the straps as closely as your pipe couplings permit.

- Combination slot and hex head bolt for flexibility of attachment
- Captivated square nut on shoulder enables easy one-handed tightening
- Use with either 1-5/8 in. or 1-1/2 in. strut for greater versatility
- Shipped pre-assembled for easier counting, sorting and handling
- Available with nominal 0.015 in. (15 mils) PVC coating in your choice of blue, white or grey standard colours (custom colours also available on request)
- Uncoated pipe straps are available by ordering Series 700 and adding Type 316 stainless steel



### Ocal™ PVC-Coated Strut Pipe Straps

Cat. No.	Pipe Size in. (mm)
SS1/2- <u>  </u>	1/2 (16)
SS3/4- <u>  </u>	3/4 (21)
SS1- <u>  </u>	1 (27)
SS1-1/4- <u>  </u>	1-1/4 (35)
SS1-1/2- <u>  </u>	1-1/2 (41)
SS2- <u>  </u>	2 (53)
SS2-1/2- <u>  </u>	2-1/2 (63)
SS3- <u>  </u>	3 (78)
SS3-1/2- <u>  </u>	3-1/2 (91)
SS4- <u>  </u>	4 (103)
SS5- <u>  </u>	5 (129)

Metric size designator (ANSI C80.1-1994).

Cat. No.	Colour
<b>SS1-</b>	<u>  </u> = space for colour identifier
	G = Grey
	W = White
	B = Blue
Custom colours also available - Std. min. quantities are required. Please contact your Regional Sales Office.	