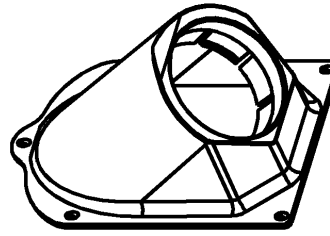


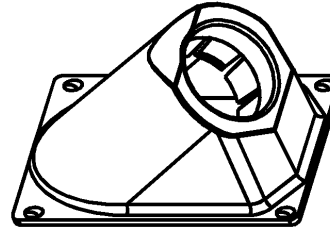
# Carlton

**NOTES:**

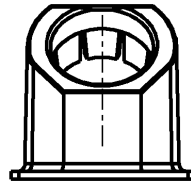
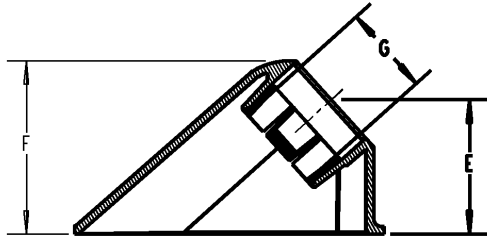
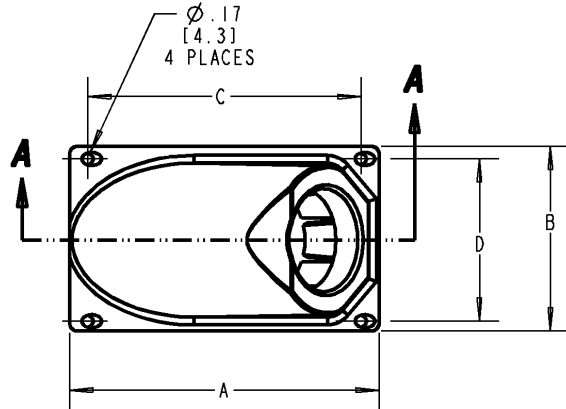
1. MATERIAL IS BLUE THERMOPLASTIC
2. SNAPS DESIGNED TO SECURE CONDUIT TEMPORARILY, NOT DESIGNED TO MEET UL FITTING SECURENESS TEST.
3. NOT UL LISTED



P/N A220J (SHOWN ABOVE) IS UNIQUE IN THAT IT INCLUDES AN ADDITIONAL MOUNTING HOLE



P/N A220F SHOWN ABOVE  
SCALE 0.500



SECTION **A-A**  
SCALE 0.500

PART NO.	SIZE	A	B	C	D	E	F	"G" ENT SIZE
A220D	1/2"	3.37 [85.6]	2.10 [53.3]	2.90 [73.6]	1.82 [46.2]	1.53 [38.7]	1.92 [48.7]	1/2"
A220E	3/4"	3.62 [91.6]	2.10 [53.3]	3.12 [79.3]	1.80 [45.7]	1.59 [40.6]	2.03 [51.7]	3/4"
A220F	1"	4.00 [101.6]	2.29 [60.7]	3.53 [89.7]	2.10 [53.3]	1.74 [44.2]	2.42 [61.7]	1"
A220G	1 1/4"	4.51 [114.6]	3.11 [79.0]	3.91 [99.3]	2.70 [68.6]	1.74 [44.2]	2.48 [63.0]	1 1/4"
A220H	1 1/2"	4.94 [125.5]	3.36 [85.3]	4.44 [112.7]	2.96 [75.2]	1.86 [47.2]	2.69 [68.4]	1 1/2"
A220J	2"	5.59 [142.0]	3.86 [98.0]	5.10 [129.5]	3.45 [87.6]	2.00 [50.8]	3.02 [76.7]	2"

**GENERAL NOTES**

1. ALL DIMENSIONS ARE FOR REFERENCE ONLY.
2. DIMENSIONS IN BRACKETS [ ] ARE IN METRIC UNITS.

**REVISIONS**

\*\* SEE ERN ( \*\*\*\* ) FOR APPROVAL SIGNATURES & RELEASE DATE.  
PROJECT NO: \*\*\*\*

**Thomas & Betts**  
www.tnb.com

DESCRIPTION: **STUB DOWN - 45 DEGREES**

ORIGINAL PROJECT NO / ( ERN NO )	SHEET NO:	REV. NO:	DRAWING NO:
/ ( )	1 OF 1	C	WSD-AC04389

THIS DRAWING IS INTENDED FOR DESCRIPTIVE PURPOSES ONLY. AND THE RIGHT IS RESERVED TO DEVIATE FROM ANY OF THE DETAILS SHOWN HEREON.  
©2008 Thomas & Betts - Proprietary. All Rights Reserved