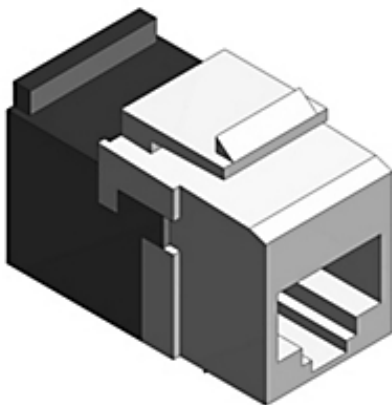




Actual



Representative

Catalog Number: OPJDU5EL-WH
Product ID: 7TAA003330R0016
UPC Number: 78620992973
Status: Active

Keystone Insert, CAT5e Data Jack, White

North American Specifications (UNSPSC)

UNSPSC	39121307 Floor boxes
IGCC	4432 Floor boxes
Brand Name	Steel City
Type	Floor Box Accessories
Application	For use with data, voice and audio visual applications
Material	Non-Metallic

European Specifications (ETIM)

ETIM	EC001121 Modular connector
Model	Bus (jack)
Type of connector	Other
Special tool necessary	N
Colour	White

Packaging

Inner Quantity	1
Inner Dimensions (inches)	8x.01x4
Outer Quantity	5
Outer Dimensions (inches)	7.75x4.25x5.75
Weight Uom	10 lbs. per 100

Documents / Support Tools

Technical Drawing / Data Sheet Canada Available on Website

Header

3D Model Available on Website

For further technical assistance, please contact us...

Thomas & Betts - USA
 860 Ridge Lake Blvd.
 Memphis, TN 38120
 www.tnb.com

T&B Technical Support
 MS 3B-50
 860 Ridge Lake Blvd.
 Memphis, TN 38120

Hours: 7AM - 6PM CDT
 Monday-Friday
 Phone: (888) 862-3289
 Fax: (901) 252-1321
 Email:techsupport@tnb.com