

OSRAM

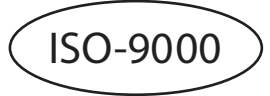
HID BALLAST SPECIFICATIONS

Metal Halide Core & Coil Ballast Kit

FOR ONE 250 WATT, M58 MH

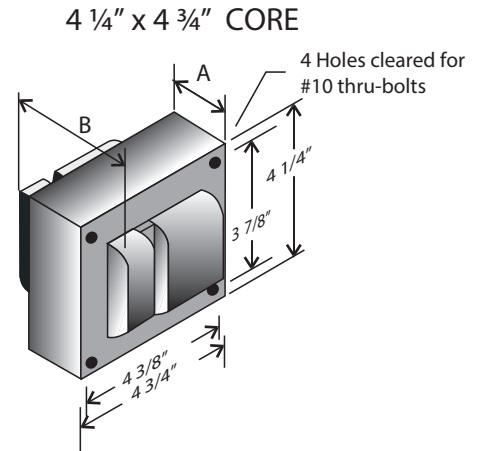
47737 M250/MULTI-KIT

Line Voltage	120/208/240/277 V
Regulation	
Line Volts	+/-10%
Line Watts	+/-10%
Frequency	60 Hz
Circuit Type	CWA
Power Factor (min)	90%
Insulation Class	H(180°)
Min. Ambient Starting Temp.	-20° F or -30° C



Line Voltage (Volts)	120	208	240	277
Line Current (Amps)				
Operating	2.50	1.45	1.25	1.10
Open Circuit	1.70	1.00	0.85	0.75
Starting	2.20	1.30	1.10	1.00
Input Watts (W)	298	298	298	298
Open Circuit Voltage (V)	300	300	300	300
Drop Out Voltage (V)	60	104	120	138
UL(1029) Bench Top Rise	B	B	B	B
Recommended Fuse (Amps)	8	5	5	3

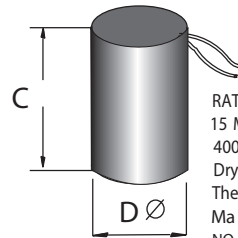
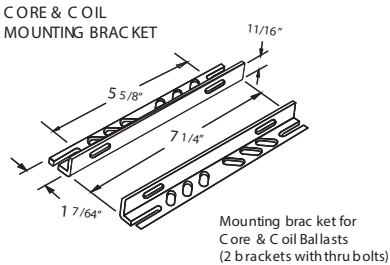
HIGH POTENTIAL TEST (VOLTS)	
1 Minute	2000
2 Seconds	2500
Open Circuit Voltage Test (volts)	270-330
Short-Circuit Current Test (Amps)	
Secondary Current	2.25 - 2.75
Input Current (Amps)	1.90 - 2.70 0.10 - 1.70 0.95 - 1.35 0.80 - 1.20



CORE AND COIL

Dimension A (inches)	1.60
Dimension B (inches)	3.15
Lead Lengths (inches)	TERM"

BRACKET



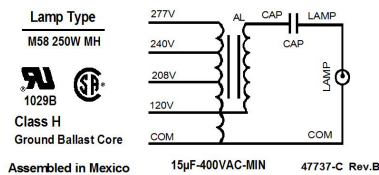
CAPACITOR

RATING
15 Mfd
400 VAC MIN
Dry Film Capacitor
Thermal Plastic Case
Max. Case Temp 105° C
NO PCB'S

Dimension C (inches)	3.75
Dimension D (inches)	1.75

PRODUCT LABEL

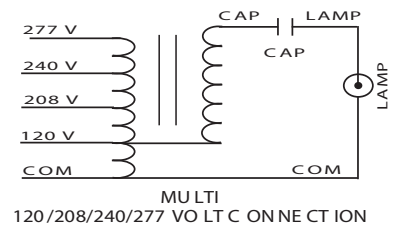
OSRAM
M250/MULTI-KIT
120/208/240/277V
2.50/1.45/1.25/1.10A
300 Voc, 60Hz, CWA
47737-C



CARTON LABEL

OSRAM 1 Ballast Kit 1 SKU
M250/MULTI-KIT M58
METALARC® 120/208/240/277V
Magnetic Ballast / Ballast magnétique Assembled in Mexico
47737-C

1 0 0 4 6 1 3 5 4 7 7 3 7 6



WIRING DIAGRAM C

Item Number — 47737 M250/MULTI-KIT
METAL HALIDE — Line Voltage
Primary Lamp Wattage —

UNITS CARTON	CARTON/LAYER	# OF LAYERS	UNITS PALLET	PIECE WEIGHT	CARTON WEIGHT	PALLET WEIGHT
1	30	4	120	10.00 Lbs	10.0 Lbs	1200 Lbs
CARTON PALLET	CARTON DIMENSIONS	PALLET DIMENSIONS	PALLET DIMENSIONS LOADED, INCLUDING WOOD PALLET			
120	8.125" x 5.125" x 4.9375"	48" x 40" x 5"	48" x 40" x 25"			