



AmbiStar

AMBISTAR ELE BALLAST (2) F40T12 120V

Product data

• General Characteristics

Lamp Type	F40T12
Number of Lamps	1/2 piece
Input Voltage	120 V
Input Current (Operating)	0.62 A
Line Frequency	60 Hz
Ballast Type	Electronic Fluorescent
Base Model	RELB2S40N
Housing	N
Housing Dimensions	9.5" x 1.3" x 1.0"
Housing Material	Metal
Suitable for Outdoor use?	Yes
Starting Method	Rapid Start
Family Name	AmbiStar

• Operating Characteristics

Automatic restart	Yes
Ignition time	1 s
Input Power Gear	72 W
Ballast factor	0.85 -
Ballast Efficacy Factor	1.18 -
Power Factor	0.98
Lamp Current Crest Factor	1.7 -
Sound Rating	A
Max THD	20 %

• Wiring Characteristics

Color input terminals	No terminals
Color output terminals	No terminals
Connector type	No connector
Wire Striplength	0.50/0.375 mm

Lamp Connection	Series
Wire Gauge	18AWG
Wire Length by Color	See data sheet
Wire Type	Solid
Allowed Wiring Config(Remote)	Yes
Allowed Wiring Config(Tandem)	Yes
Allowed Wiring Config(Through)	Yes
Max Dist. Ball to Lamp(Remote)	20'
Max Dist. Ball to Lamp(Tandem)	Red = 10'
Max Dist. Ball to Lamp(Through)	Red = 10'

• System Chars on driver level

Rated Lamp Watts	40W
------------------	-----

• Temperature Characteristics

T-case maximum	70 C
----------------	------

• Product Dimensions

Length A1	9.50 in
Length A2	8.90 in
Width B1	1.30 in
Height C1	1.00 in

• Approval & Application Chars

EMC Immunity	FCC Consumer
Approbation Marks	UL, CSA, DOE, CSA-E, RoHS

PHILIPS

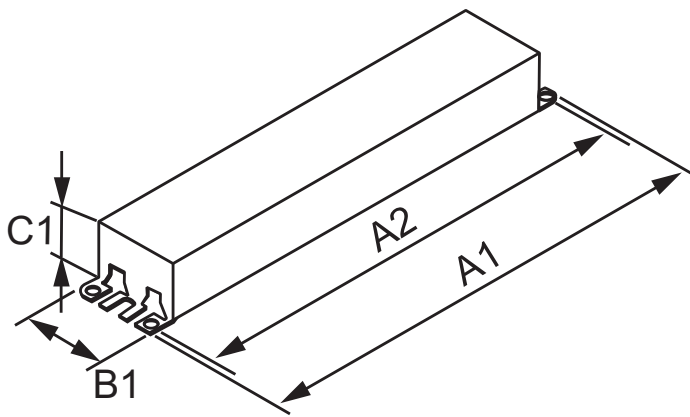
UL Listed	Yes
CSA certificate	Yes
CEC Listing	Yes
CEE Rated	No
Circle E logo	Yes
CSA E	Yes
cUL certificate	No
DOE	Yes
Energy Star	Yes
FIDE Certificate	No
NEMA Premium	No
NOM certificate	No
RoHS Compliant	Yes
SASO Certificate	No

UL Recognized No

• Product Data

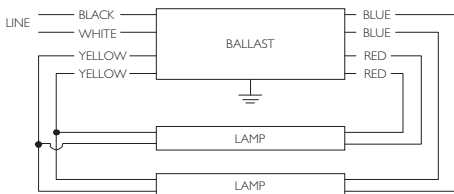
Product number	RELB2S40N35I
Full product name	ELE BALLAST (2) F40T12 120V
Short product name	ELE BALLAST (2) F40T12 120V
Pieces per Sku	1
Skus/Case	10
Bar code on pack	781087090428
Bar code on case	30781087090429
Logistics code(s)	913701218101
eop_net_weight_pp	0.341 kg

Dimensional drawing



AMBISTAR ELE BALLAST (2) F40T12 120V

Product	A1 (Norm)	A2 (Norm)	A3 (Norm)	B1 (Norm)	C1 (Norm)
ELE BALLAST (2) F40T12 120V	9.50	8.90	-	1.30	1.00



© 2014 Koninklijke Philips N.V. (Royal Philips)
All rights reserved.

Specifications are subject to change without notice. Trademarks are the property of Koninklijke Philips N.V. (Royal Philips) or their respective owners.

www.philips.com/lighting

2014, March 5
data subject to change