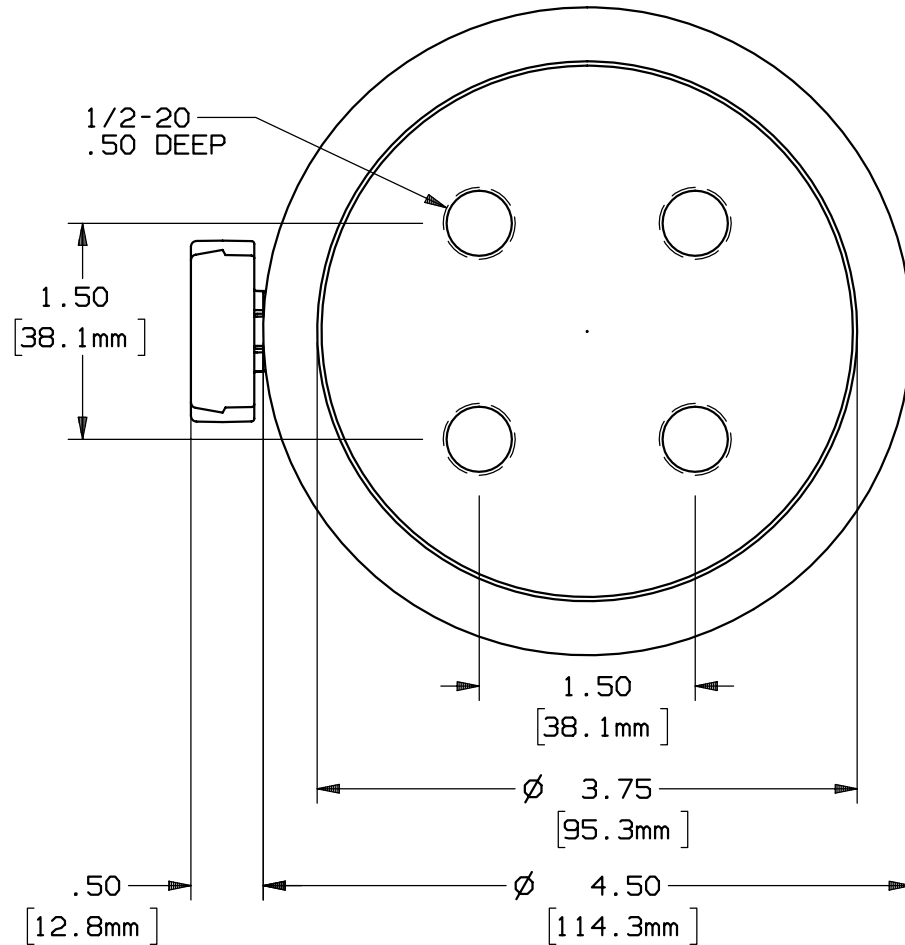
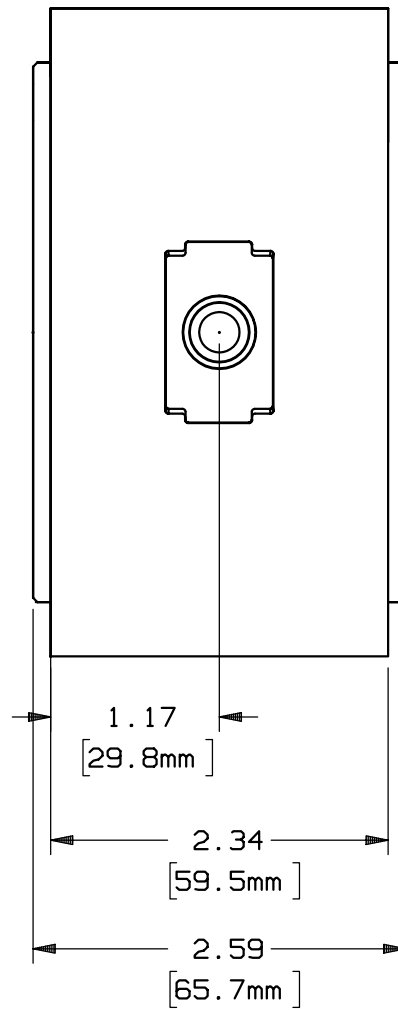


REV	DATE	ECO	DESCRIPTION	BY	CK	APP
-	6-21-00	N/A	INITIAL RELEASE	KMH	N/A	N/A



DIMENSIONS GIVEN AS  $\frac{in}{[mm]}$



MERSEN USA NEWBURYPORT-MA, LLC  
374 MERRIMAC STREET  
NEWBURYPORT, MA 01950

A30QS(3000 - 4500)-128IL

FORM 101

SEMICONDTOR FUSE

3000-4500AMPS 300VAC IEC/330VAC MAX

OUTLINE DIMENSIONS  
NOT TO BE USED FOR PRODUCTION

700549

PRODUCT MANAGER

DESIGN ENGINEER

SIGN:

SIGN:

DATE:

DATE: