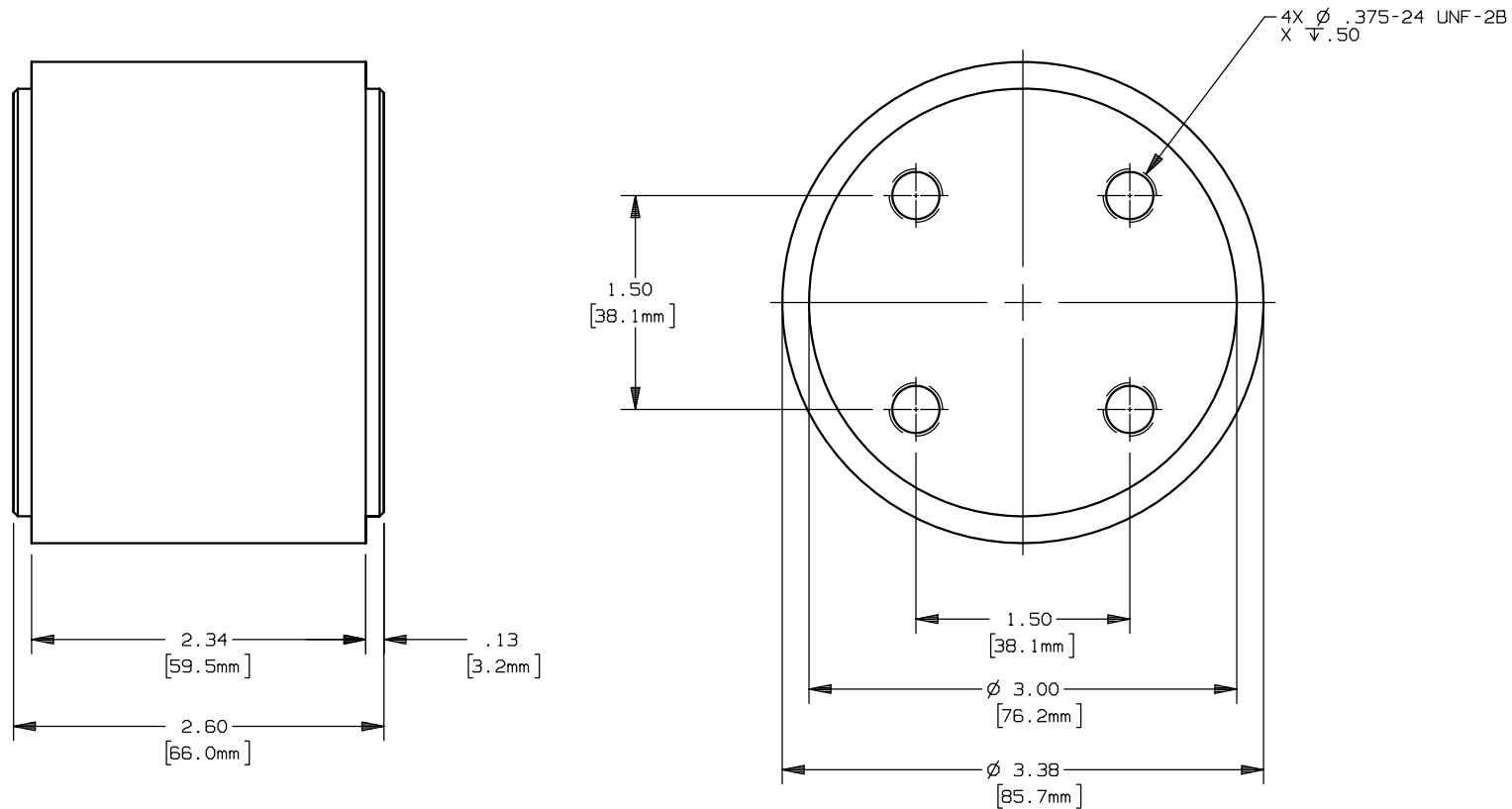


REV	DATE	ECO	DESCRIPTION	BY	CK	APP
A	12-8-03	NA	OUTSIDE DIA. ON TUBE WAS 3.50	LDB	NA	NA



MERSEN USA NEWBURYPORT-MA, LLC
 374 MERRIMAC STREET
 NEWBURYPORT, MA 01950

A30QS(1500-2500)-128

OUTLINE DIMENSIONS
 NOT TO BE USED FOR PRODUCTION

PRODUCT MANAGER

DESIGN ENGINEER

FORM 101

SIGN:
 DATE:

SIGN:
 DATE:

1500-2500A 300VAC IEC/330VAC MAX

700540