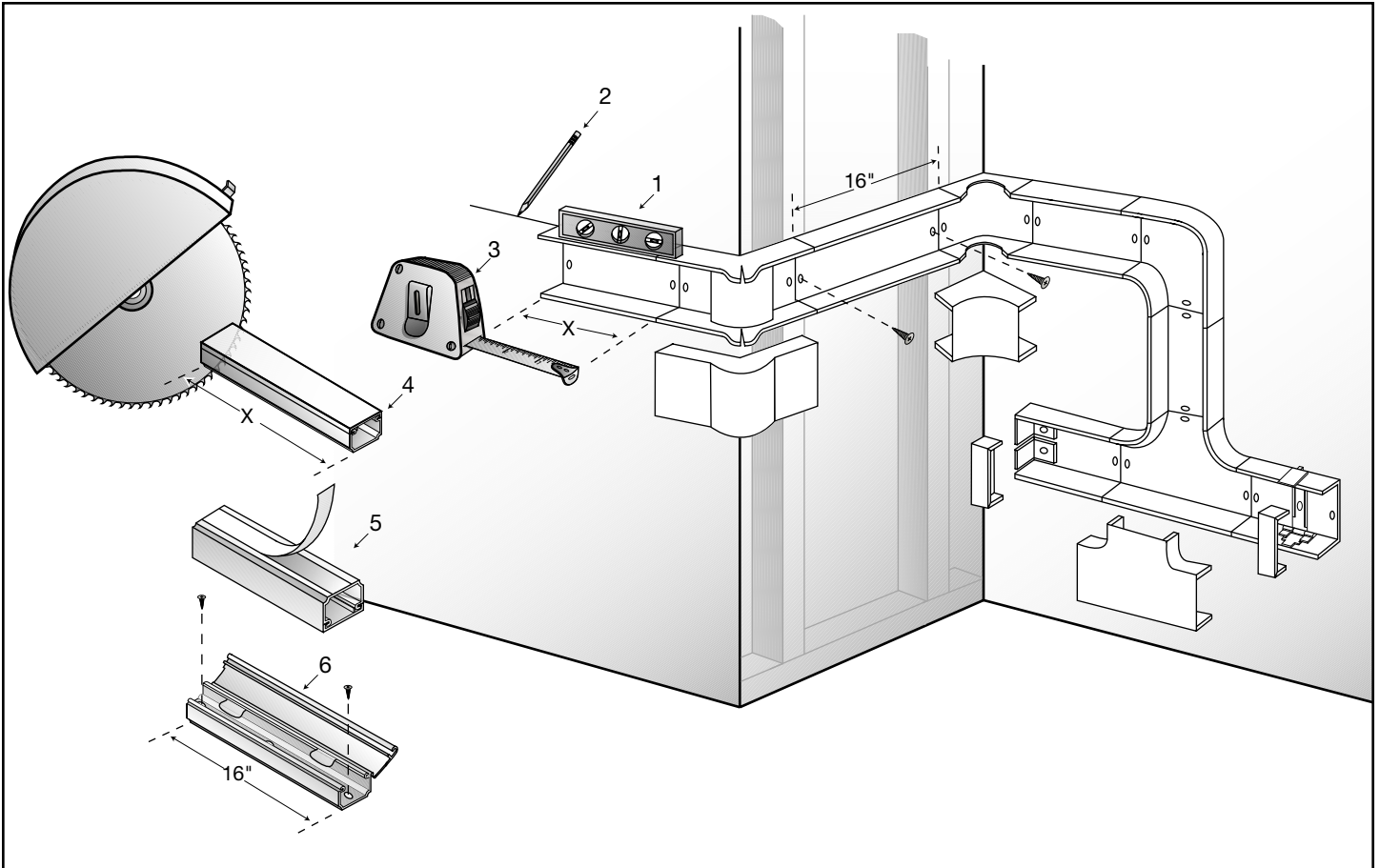


Eclipse Workstation Raceway INSTALLATION INSTRUCTIONS

Wiremold® Electrical Systems conform to and should be installed and properly grounded in compliance with requirements of the current National Electrical Code or codes administered by local authorities. All electrical products may represent a possible shock or fire hazard if improperly installed or used. Wiremold electrical products are UL Listed, made for interior use only and should be installed by qualified electrical people in conformance with current local and/or the National Electrical Code.



Use a #8 (5/16" [7.9mm] head size) pan head fastener or equivalent to attach fittings to mounting surface.

Utilisez une attache a tete panoramique de calibre 8 [tete de 7,9mm (5/16")] ou une fixation equivalente pour assujettir les raccords a la surface de montage.

Use un sujetado de cabeza plana #8 (5/16" tamaño de cabeza 7.9mm) o su equivalente para unir las instalaciones a la superficie de montaje.

The adhesive on the PN03, PN05 and PN10 is intended to be used as an installation aid for positioning the product. Applications with power wire, screw fasteners must be used in addition to the adhesive. Applications with communication cable only, screw fasteners are not required but are recommended in addition to the adhesive.

L'adhésif qui se trouve sur les modèles PN03, PN05 et PN10 permet de positionner correctement le produit lors de l'installation. Applications avec fil électrique : des vis d'assemblage doivent être utilisées en plus de l'adhésif. Applications avec câble de communication seulement : des vis d'assemblage ne sont pas requis mais peut être recommandées en plus de l'adhésif.

El adhesivo del PN03, PN05 y el PN10 está destinado a usarse como una ayuda para colocar el producto.

En aplicaciones con cable de corriente debe usarse sujetadores de tornillo además del adhesivo. En aplicaciones con cable de comunicaciones solamente, se recomienda (no es requerido) el uso de sujetadores de tornillo además del adhesivo.

RACEWAY WIRE FILL CAPACITIES FOR DATA/COMMUNICATIONS

| | CABLE/WIRE SIZE | O.D. | | PN03L | | PN05A/PN05L | | PN10A/PN10L | |
|-------------------------|-------------------------|--------|--------|-----------|------------|-------------|------------|-------------|------------|
| | | inches | [mm] | 20% fill* | 40% Fill** | 20% fill* | 40% Fill** | 20% fill* | 40% Fill** |
| UNSHIELDED TWISTED PAIR | 4-pair, 24AWG Cat 5 UTP | 0.220 | [5.6] | 1 | 2 | 2 | 5 | 5 | 10 |
| | 4-pair, 24AWG Cat 3 UTP | 0.190 | [4.8] | 2 | 3 | 3 | 6 | 7 | 14 |
| TELEPHONE | 2-pair, 24AWG | 0.140 | [3.6] | 3 | 6 | 6 | 12 | 13 | 26 |
| | 3-pair, 24AWG | 0.150 | [3.8] | 2 | 5 | 5 | 10 | 11 | 23 |
| | 4-pair, 24AWG | 0.190 | [4.8] | 2 | 3 | 3 | 6 | 7 | 14 |
| | 25-pair, 24AWG | 0.410 | [10.4] | 0 | 1 | 1 | 1 | 2 | 3 |
| COAXIAL | RG58/U | 0.195 | [5.0] | 1 | 3 | 3 | 6 | 7 | 13 |
| | RG59/U | 0.242 | [6.1] | 1 | 2 | 2 | 4 | 4 | 9 |
| | RG62/U | 0.242 | [6.1] | 1 | 2 | 2 | 4 | 4 | 9 |
| | RG6/U | 0.270 | [6.9] | 1 | 2 | 2 | 3 | 3 | 7 |
| THINAXIAL | 100 Ohm | 0.330 | [8.4] | 1 | 1 | 1 | 2 | 2 | 5 |
| SHIELDED TWISTED PAIR | Type 1 | 0.390 | [9.9] | 0 | 1 | 1 | 1 | 2 | 3 |
| | Type 2 | 0.465 | [11.8] | 0 | 1 | 1 | 1 | 1 | 2 |
| | Type 3 | 0.245 | [6.2] | 1 | 2 | 2 | 4 | 4 | 8 |
| FIBER OPTIC | 2 Strand | 0.180 | [4.6] | 2 | 3 | 3 | 7 | 8 | 16 |
| | 4 Strand | 0.190 | [4.8] | 2 | 3 | 3 | 6 | 7 | 14 |
| | 6 Strand | 0.210 | [5.3] | 1 | 3 | 3 | 5 | 6 | 11 |
| | Fiber Zip Cord | 0.110 | [2.8] | 5 | 9 | 9 | 19 | 21 | 42 |

* 20% cable fill is calculated to approximate reduction in cable capacity due to connectors mounted within raceway and fittings that may restrict cross sectional area.

** 40% cable fill is the maximum designated cable fill based on TIA/EIA 569-A.

RACEWAY WIRE FILL CAPACITIES FOR POWER

| WIRE SIZE THHN/THWN | O.D. | | PN03L | PN05A/PN05L | PN10A/PN10L |
|------------------------|--------|-------|-------|-------------|-------------|
| | inches | [mm] | | | |
| 14 AWG | 0.111 | [2.8] | 8 | 16 | 22 |
| 12 AWG | 0.130 | [3.3] | 7 | 14 | 20 |
| 10 AWG | 0.164 | [4.2] | - | - | 19 |



The Wiremold Company

U.S. and International:

60 Woodlawn Street • West Hartford, CT 06110

1-800-621-0049 • Outside U.S. 860 233-6251 • FAX 860-232-2062

In Canada:

850 Gartshore Street • Fergus, Ontario N1M 2W8

1-800-741-7957 • FAX 519-843-5980

