

# Electrically- and Mechanically-Held Lighting Contactor Specifications

Bulletin Number 500LG

Topic	Page
Specifications	2
Approximate Dimensions	2...4

## Additional Resources

These documents contain additional information concerning related products from Rockwell Automation.

Resource	Description
Industrial Automation Wiring and Grounding Guidelines, publication <a href="#">1770-4.1</a>	Provides general guidelines for installing a Rockwell Automation industrial system.
Product Certifications website, <a href="http://www.ab.com">http://www.ab.com</a>	Provides declarations of conformity, certificates, and other certification details.

You can view or download publications at <http://www.rockwellautomation.com/literature/>. To order paper copies of technical documentation, contact your local Allen-Bradley distributor or Rockwell Automation sales representative.



Main Power Poles — Max. AC Voltage and Amp Rating

Load Type	Continuous Ampere Rating [A]	Poles	
		1-Phase	3-Phase
Ballast	30	347V AC	600V AC
General Use	30	600V AC	600V AC
Tungsten	20	277V AC	480V AC
AC Resistive	30	600V AC	600V AC

Control Circuit Characteristics

Coil	
Description	Ratings [VA]
Inrush	248
Sealed	28

Control Module Characteristics

Control Module		
Description	Ratings	
Min. pulse duration (3-wire control module)	250 ms	
Max. allowable leakage current	1.8 mA	
EMI	35 V/m	
Surge transient peak	6 kV	
Frequency range	40...70 Hz	
Input Voltage	Steady State Current @ Rated Voltage (mA)	Max. VA
12...24V DC	42	2
24V AC	80	5
115...120V AC	83	12
200...277V AC	91	30

Wire Size

Component	No. of Cables	Wire Range AWG (Solid or Stranded)	Wire Temp.
Power Poles	1	#14...8	75°C Cu
	2	#14...8★	75°C Cu
Coil	1 or 2	#18...14	60°/75°C Cu
Control Module	1 or 2	#22...12	60°/75°C Cu
Auxiliary Switch	1 or 2	#22...12	60°/75°C Cu

★ #8 AWG stranded only.

Short Circuit Current Rating

Available Symmetrical Amperes RMS				
When used with molded case circuit breakers contained in UL67 listed panelboards			Fuse (30 A)	
At AC Service Voltage	Short Circuit Current Rating [A]	Max. Breaker Size [A]	SCCR J Fuse	SCCR RK1 Fuse
240V	14 000	30	100 kA	50 kA
277V	10 000	30		
480V	5000	40		
600V	5000	40		

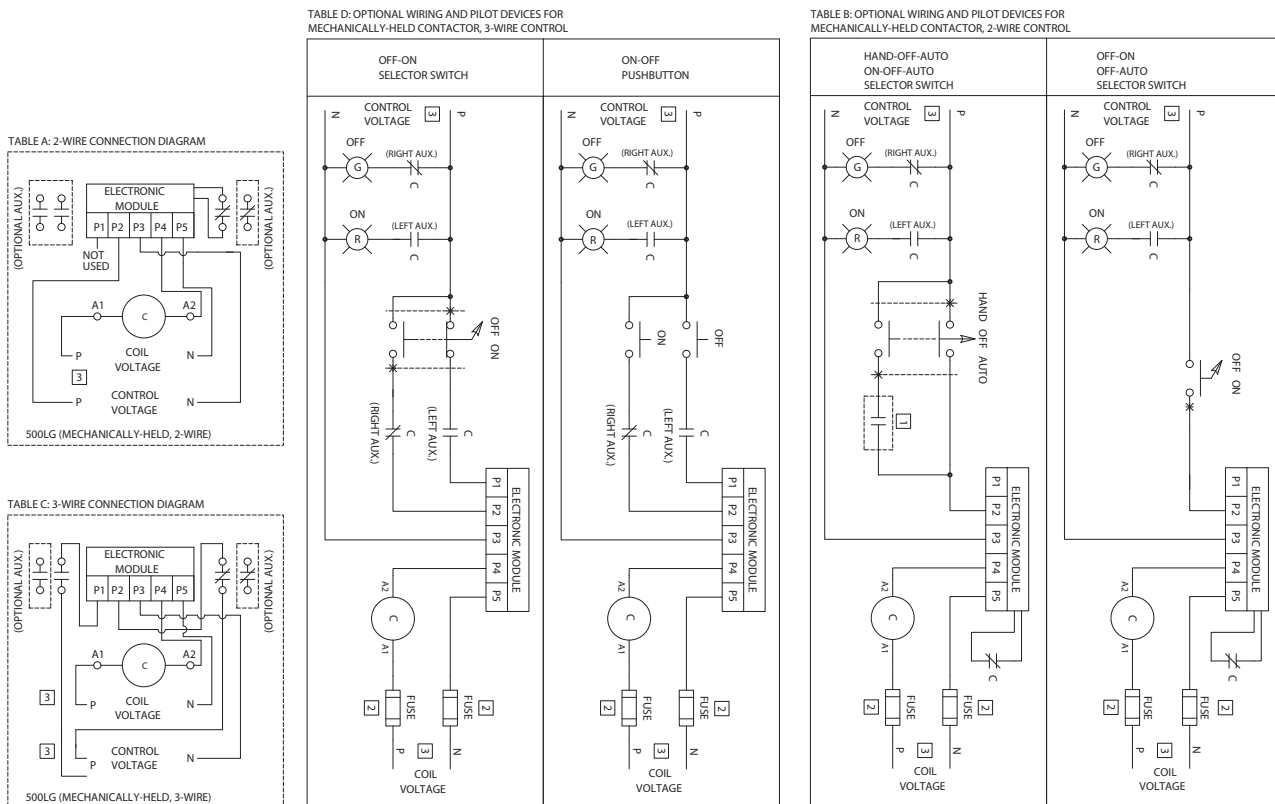
Auxiliary Contact Rating

A600, 24V DC, 24VA

Ambient Temperature

-25...+40 °C (-13...+104 °F) — Operating  
 -30...+65 °C (-22...+149 °F) — Storage

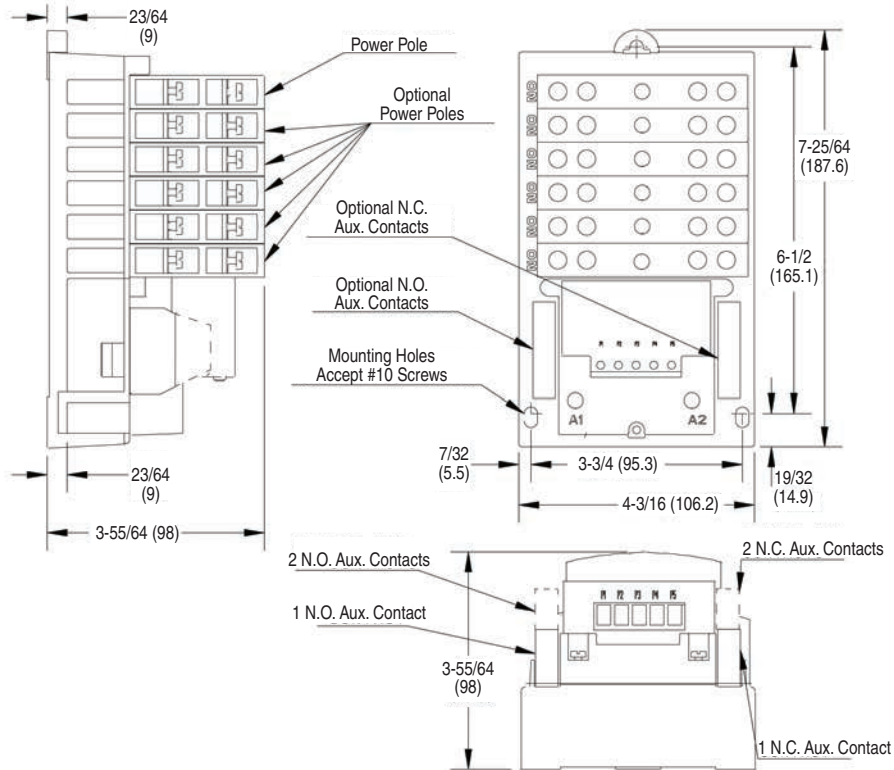
Typical Wiring Diagrams



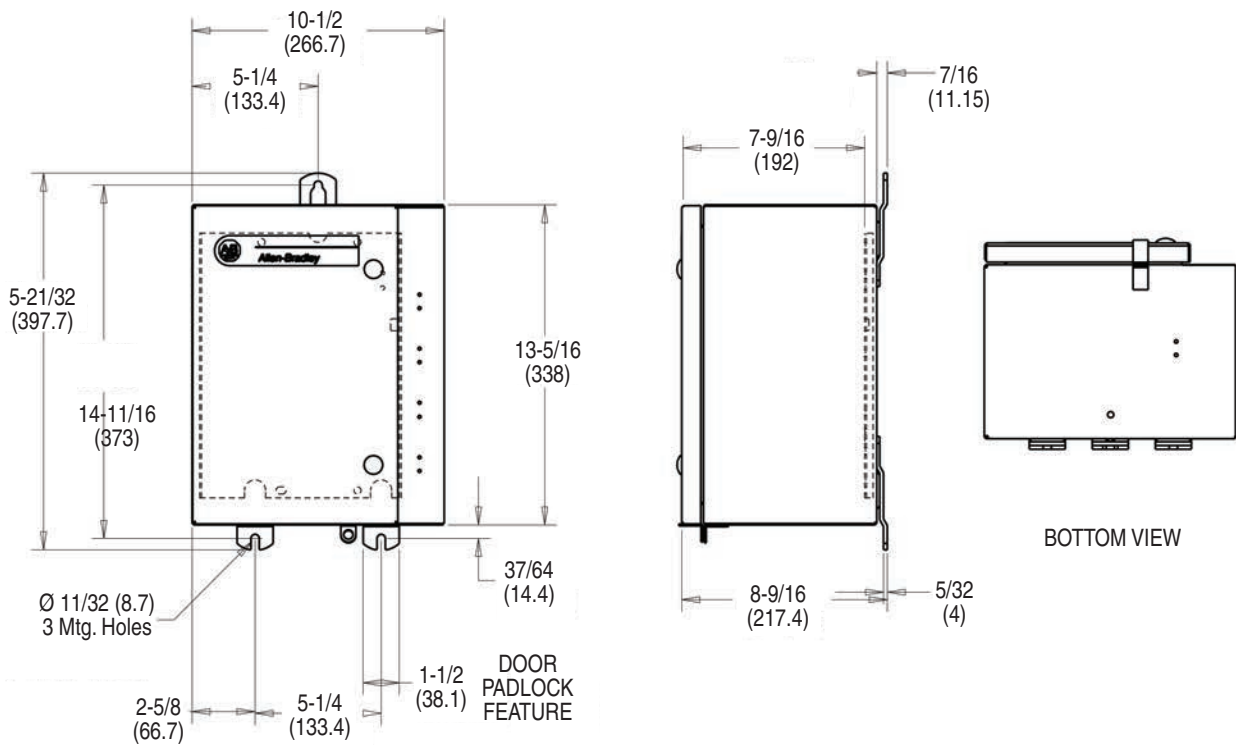
Approximate Dimensions

Dimensions are shown in inches (mm). Dimensions are not intended for manufacturing purposes.

Open Type Dimensions

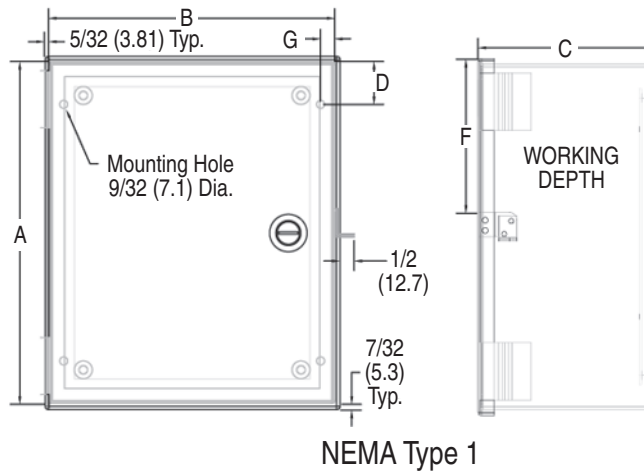
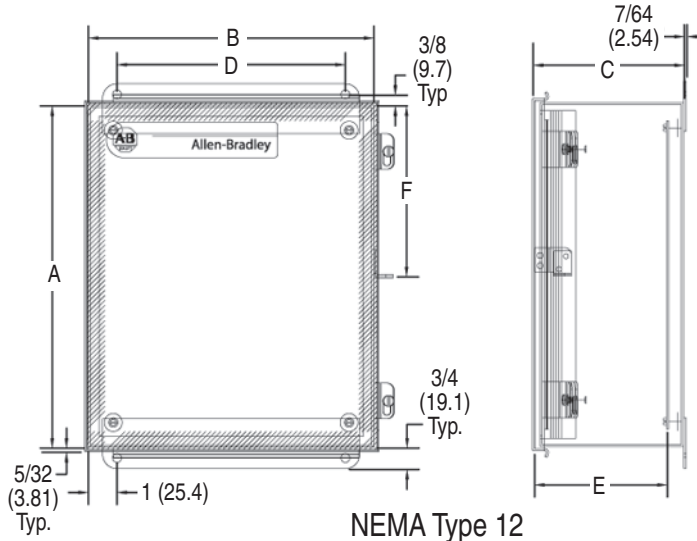


Type 3R, Surface Mount 4/4X (Stainless Steel), and 12 Enclosure



Dimensions are shown in inches (mm). Dimensions are not intended for manufacturing purposes.

Enclosed Panels



NEMA Type	Cat. No.	Approximate Dimensions in Inches (mm)						
		A (Height)	B (Width)	C (Depth)	D	E (Working Depth)	F (Hasp)	G
12	598-DF14126	14 (355.6)	12 (304.8)	6.27 (159.3)	10 (254.0)	5.53 (140.5)	7.06 (179.3)	—
1	598-DA14126	14 (355.6)	12 (304.8)	6.08 (154.4)	1.50 (38.1)	5.5 (139.7)	6.24 (158.5)	0.50 (12.7)

## Important User Information

Read this document and the documents listed in the additional resources section about installation, configuration, and operation of this equipment before you install, configure, operate, or maintain this product. Users are required to familiarize themselves with installation and wiring instructions in addition to requirements of all applicable codes, laws, and standards.

Activities including installation, adjustments, putting into service, use, assembly, disassembly, and maintenance are required to be carried out by suitably trained personnel in accordance with applicable code of practice.

If this equipment is used in a manner not specified by the manufacturer, the protection provided by the equipment may be impaired.

In no event will Rockwell Automation, Inc. be responsible or liable for indirect or consequential damages resulting from the use or application of this equipment.

The examples and diagrams in this manual are included solely for illustrative purposes. Because of the many variables and requirements associated with any particular installation, Rockwell Automation, Inc. cannot assume responsibility or liability for actual use based on the examples and diagrams.

No patent liability is assumed by Rockwell Automation, Inc. with respect to use of information, circuits, equipment, or software described in this manual.

Reproduction of the contents of this manual, in whole or in part, without written permission of Rockwell Automation, Inc., is prohibited.

## Documentation Feedback

Your comments will help us serve your documentation needs better. If you have any suggestions on how to improve this document, complete this form, publication [RA-DU002](#), available at <http://www.rockwellautomation.com/literature/>.

Allen-Bradley, Rockwell Software, Rockwell Automation, and LISTEN. THINK. SOLVE are trademarks of Rockwell Automation, Inc.  
Trademarks not belonging to Rockwell Automation are property of their respective companies.

Rockwell Otomasyon Ticaret A.Ş., Kar Plaza İş Merkezi E Blok Kat:6 34752 İçerenköy, İstanbul, Tel: +90 (216) 5698400

**[www.rockwellautomation.com](http://www.rockwellautomation.com)**

---

### Power, Control and Information Solutions Headquarters

Americas: Rockwell Automation, 1201 South Second Street, Milwaukee, WI 53204-2496 USA, Tel: (1) 414.382.2000, Fax: (1) 414.382.4444  
Europe/Middle East/Africa: Rockwell Automation NV, Pegasus Park, De Kleetlaan 12a, 1831 Diegem, Belgium, Tel: (32) 2 663 0600, Fax: (32) 2 663 0640  
Asia Pacific: Rockwell Automation, Level 14, Core F, Cyberport 3, 100 Cyberport Road, Hong Kong, Tel: (852) 2887 4788, Fax: (852) 2508 1846