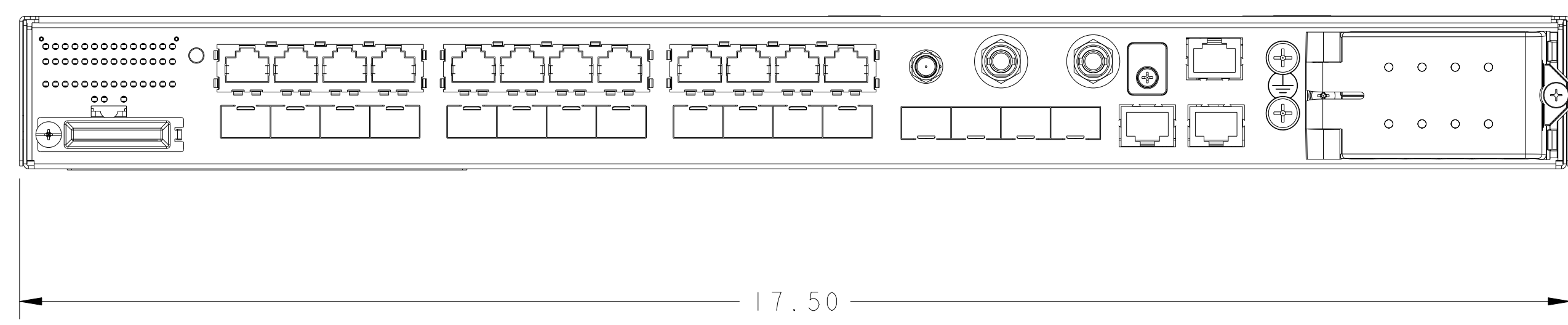
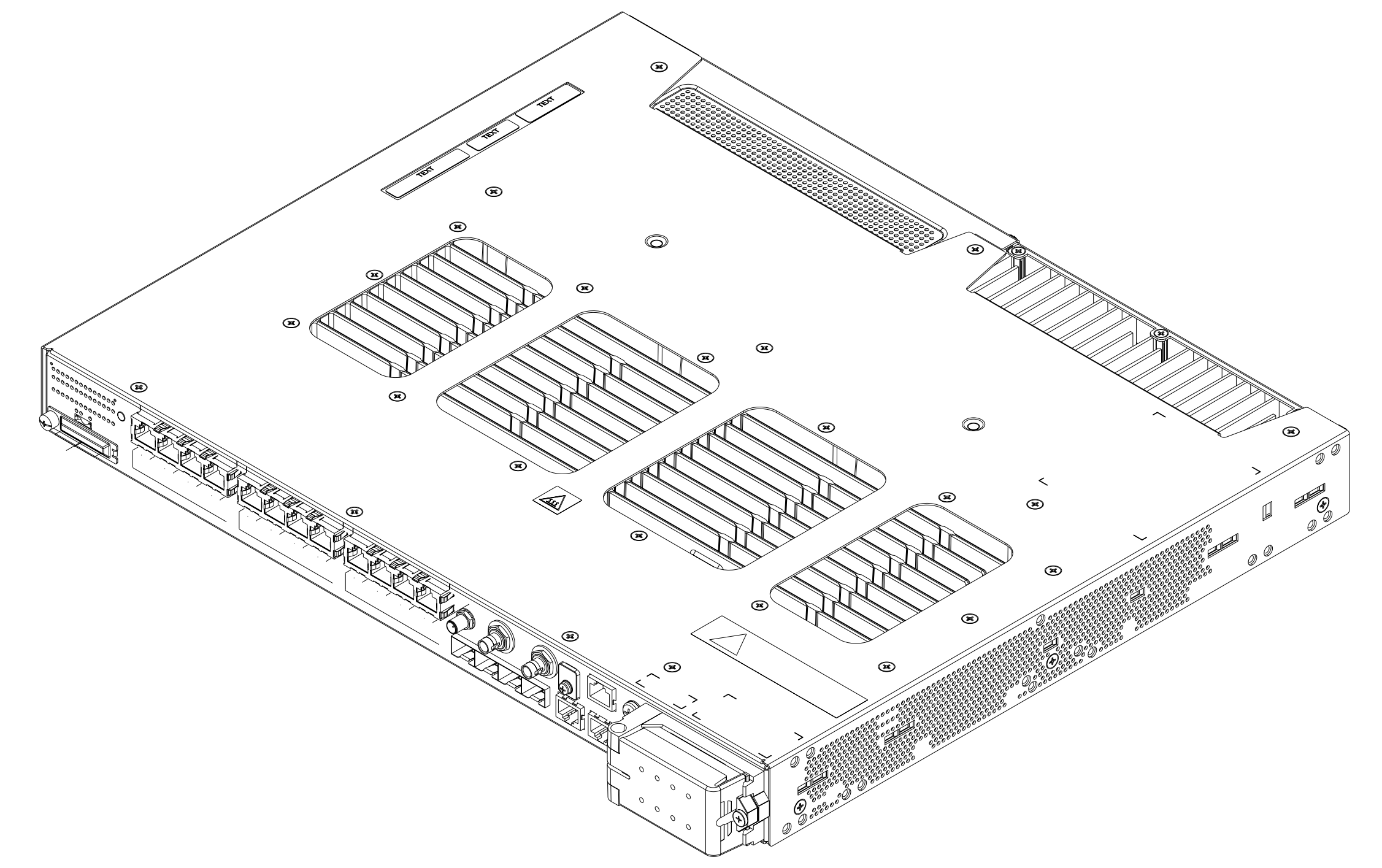
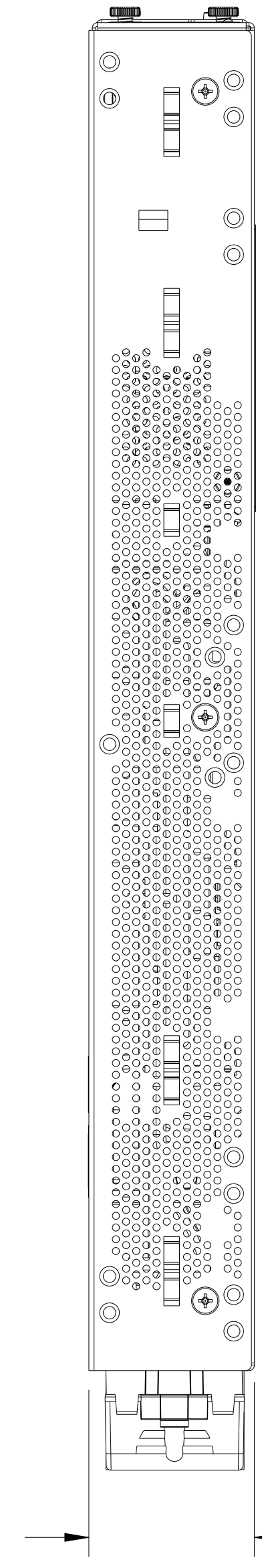
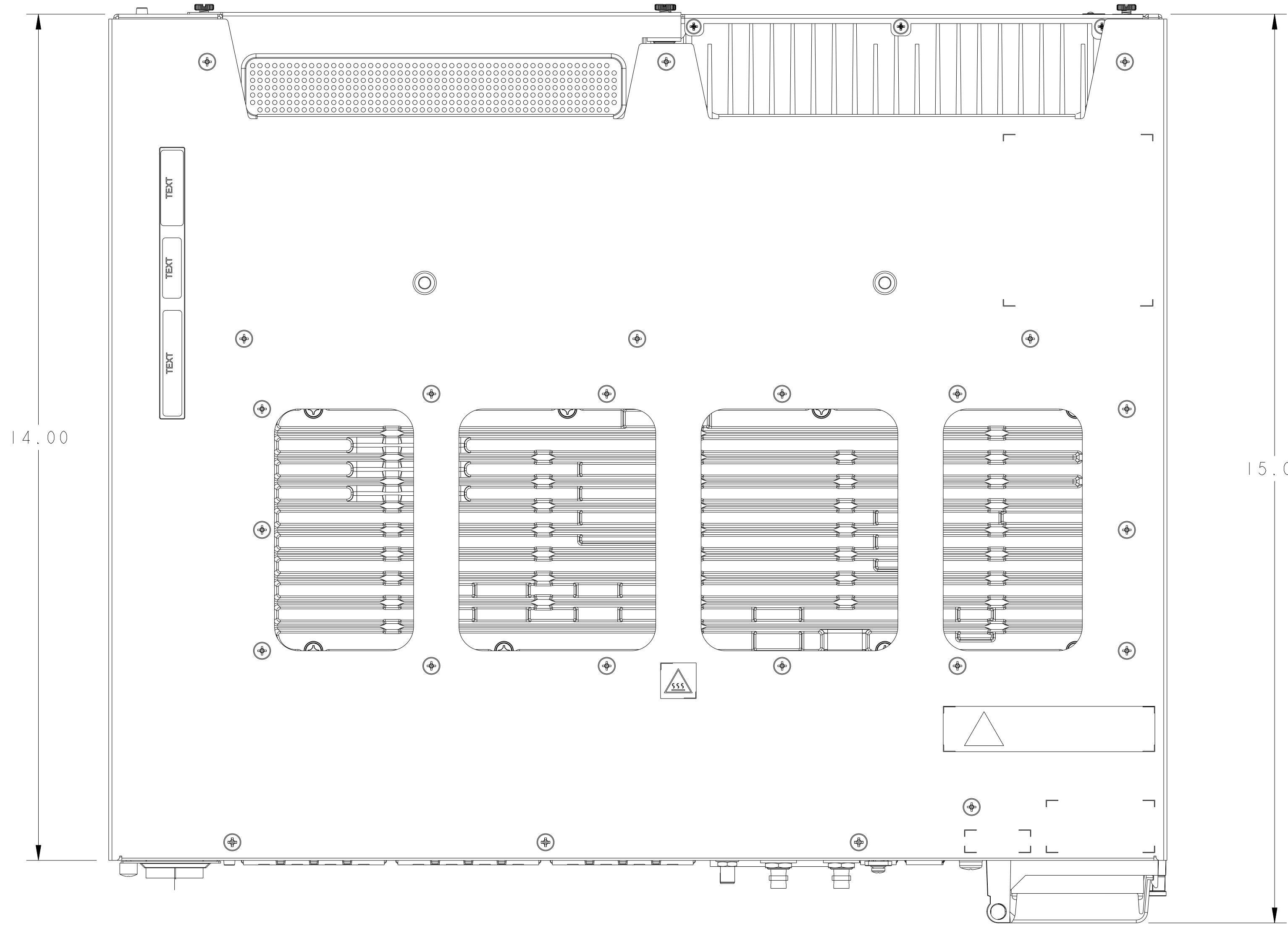


8 7 6 5 4 3 2 1

--- REVISION ---			
REV	DESCRIPTION	ECO	APPROVE MECH MFG

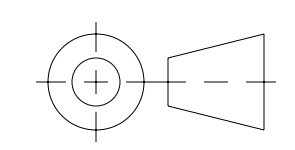


UNLESS OTHERWISE SPECIFIED  
DIMENSIONS ARE IN INCHES:  
TOLERANCES:  
.XX ± .01  
.XXX ± .005  
ANGLES: ± 1°

MATERIAL:

FINISH:

THIRD ANGLE PROJECTION



APPROVAL		DATE		SIZE D	REV
DES					
ENG					
MFG					
SCALE 1/1				DO NOT SCALE DRAWING	

8 7 6 5 4 3 2 1