

# Three Phase Power Receptacles, Male and Female

16 & 10 AWG, 1/2 in. NPT Mount

## Power Receptacles



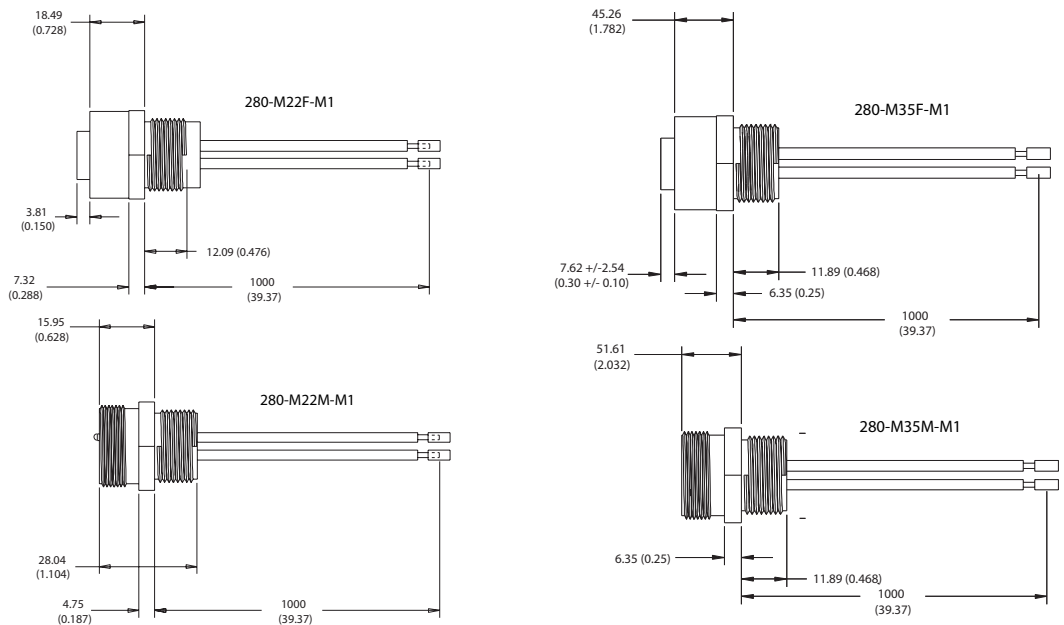
### Specifications

<b>Certifications</b>	UL
<b>Standards Compliance</b>	UL 2237
<b>Mechanical</b>	
<b>Insert</b>	Black PVC
<b>Receptacle Shell Material</b>	Black Anodized Aluminum (female) and Zinc DieCast, Black E-Coat (male)
<b>Electrical</b>	
<b>Contacts</b>	Copper Alloy with Gold over Nickel Plating (Trunk), Brass with Gold over Nickel Plating (Drop)
<b>Cable Rating</b>	600V AC/DC
<b>Assembly Rating</b>	4 pin - 16 AWG, 600V @ 10 A 4 pin - 10 AWG, 600V @ 25 A - Symmetrical Amps RMS Fault: 65 kA when used with Class CC, T, or J type fuses
<b>Environmental</b>	
<b>Enclosure Type Rating</b>	IP67, NEMA 4 & 6P; 1200 psi washdown

### Features

- Rated for motor branch circuits per UL 2237
- 16 & 10 AWG conductors
- 4-pin configuration
- Female receptacles can be used for panel mount connection
- Male receptacles can be used for quick disconnect motor junction box
- 1/2 in-14 NPT threads

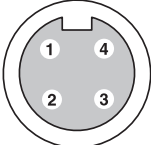
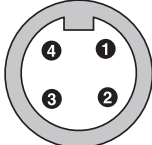


### Dimensions—mm (inches)



Dimensions are approximate. Illustrations are not drawn to scale.

ArmorStart Power Media  
**Three Phase Power Receptacles, Male and Female**  
 16 & 10 AWG, 1/2 in. NPT Mount

**Pinout and Color Code**

Assembly Rating	Color Code	Face View Pinout 4-Pin			
		Female	Male	Female	Male
16 AWG 600V 10 A	A				
10 AWG 600V 25 A	B	1 Black 2 Green/Yellow Extended PIN	3 Red 4 White	1 Black 2 White	3 Red 4 Green/Yellow Extended PIN

**Product Selection**

Receptacles

Pin Count	Assembly Rating	Color Code	Cat. No.	
			Female	Male
4-Pin	16 AWG 600V 10 A	A	280-M22F-M1	280-M22M-M1
4-Pin	10 AWG 600V 25 A	B	280-M35F-M1	280-M35M-M1