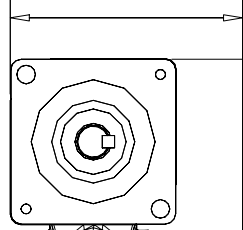
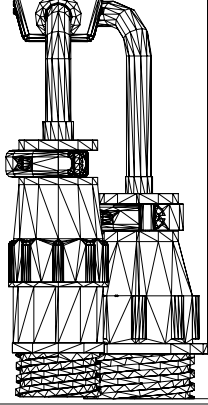


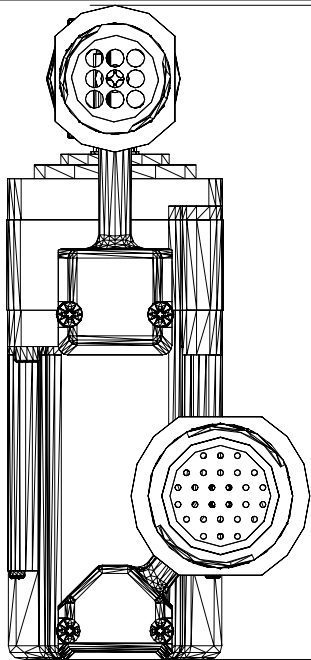
56.19 [2 7/32]



137.52 [5 27/64]



121.26 [4 25/32]



TLY-A110P-BJ64AA

Servo Motor, NEMA 17,
5000 rpm, Absolute
Encoder, Battery-Backed,
Multi-Turn, IP65 housing,
w/Brake

