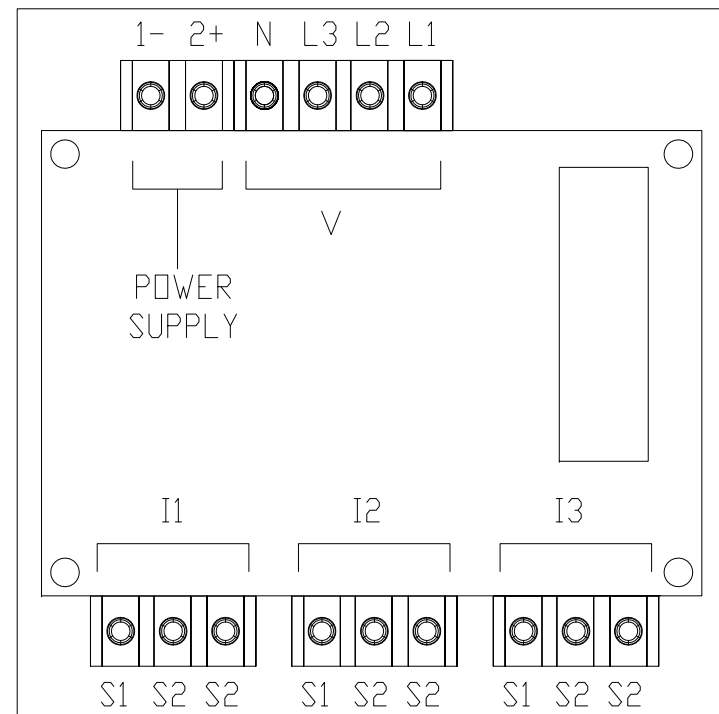
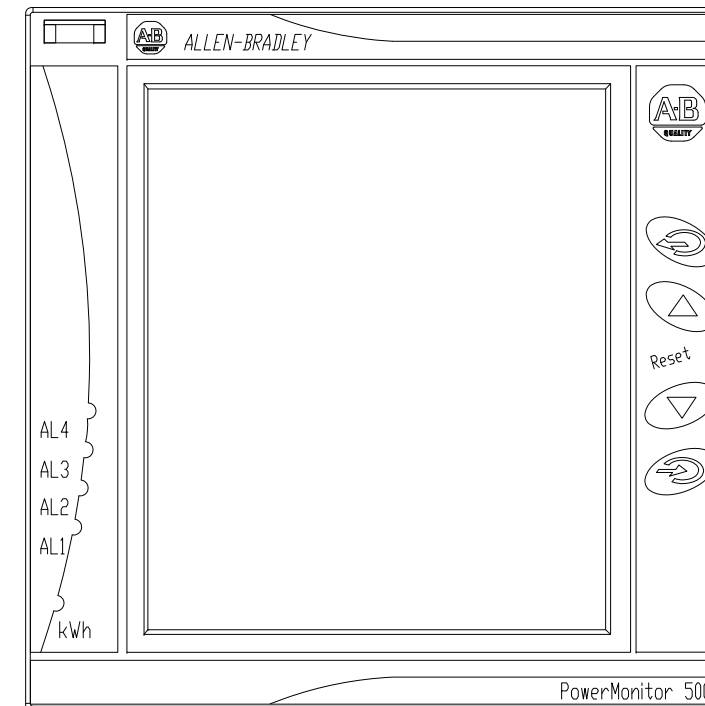


FOOT PRINTS FOR PANEL LAYOUT



FP_1426
POWER MONITOR 500



FP_1426-DM
POWER MONITOR 500 DISPLAY MODULE

XXXX XXXXXXXX XX XXX XXXXXXXXXXXX XX XXXXXXXXXXXXXXXXXXXXXXXXXXXX XX XXXXXXXXXXXXXXXXXXXXXXXXXXXX XXXXX XX XXXXXXXXXXXXXXXXXXXX XXX XXX XXXXXXX XXXXXXXX XX XXXXXXXXXXXX	XXXXXX_XXXX XXXXXX	ENERGY MANAGEMENT	DWN MWM	DATE 08-01-12
		ACCELERATOR TOOLKIT PM500 V2	DWG NO	EXAMPLE
		LAYOUT FOOTPRINTS	SHEET 02	OF --
		CUSTOMCOMPANY_NAME		CAD