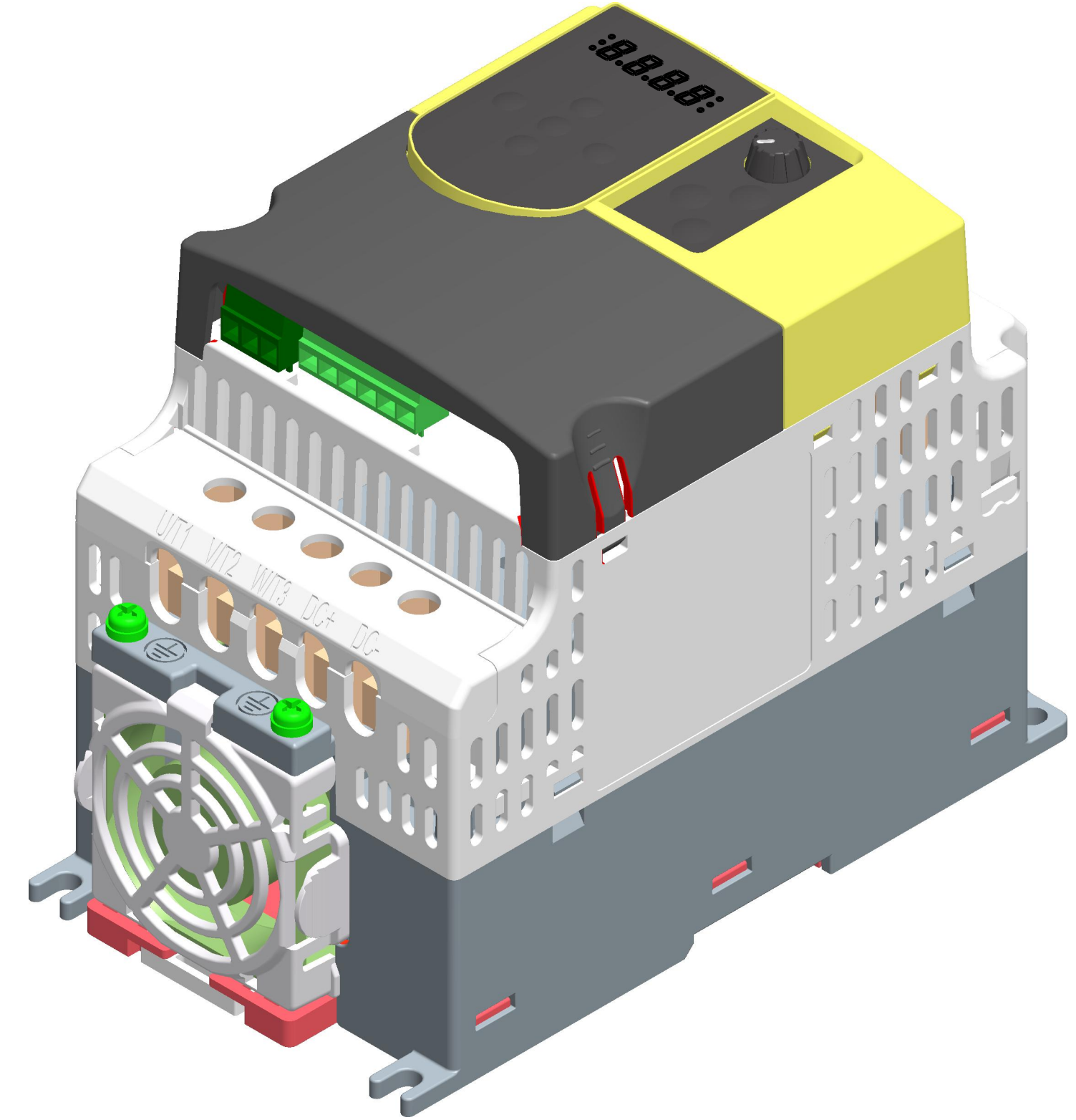
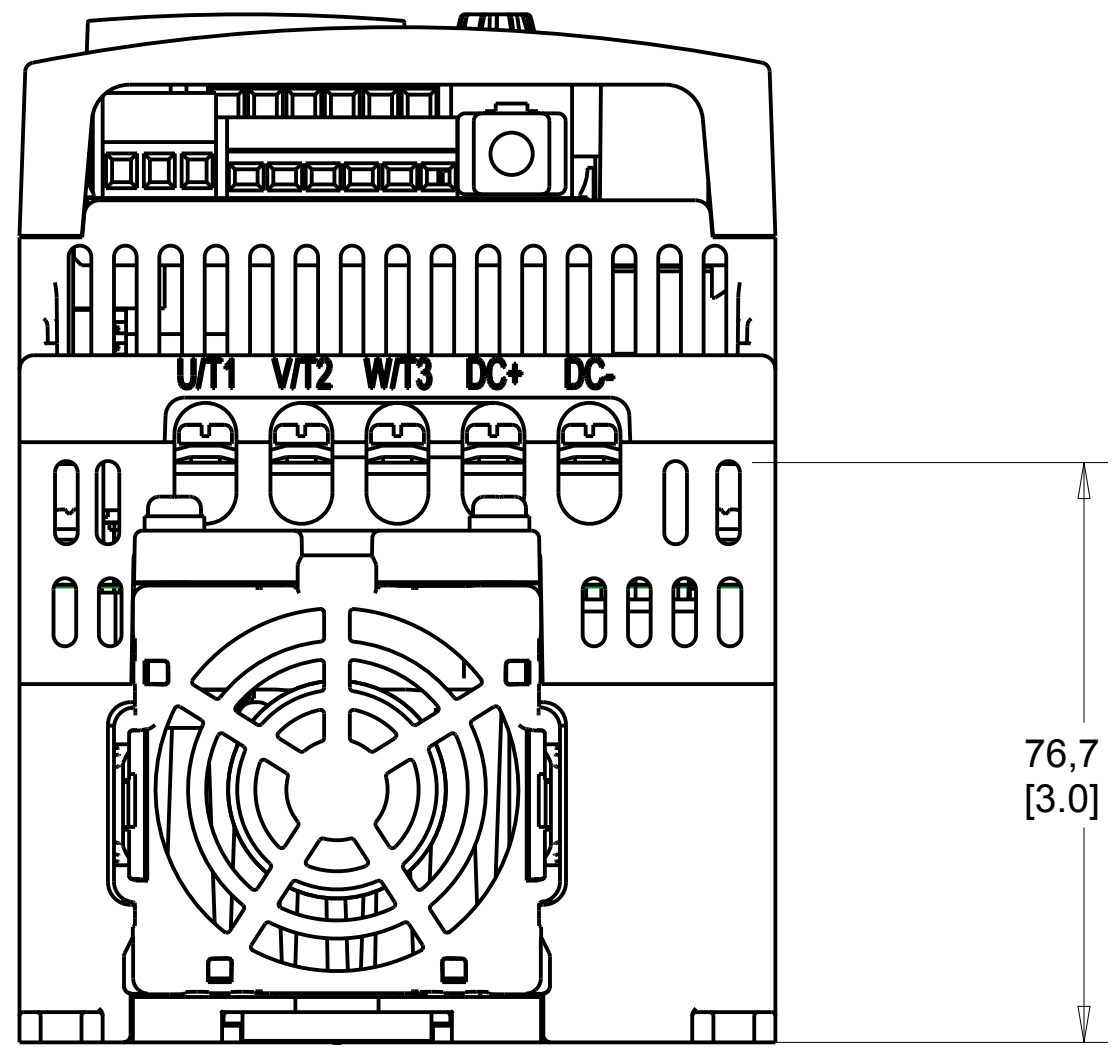
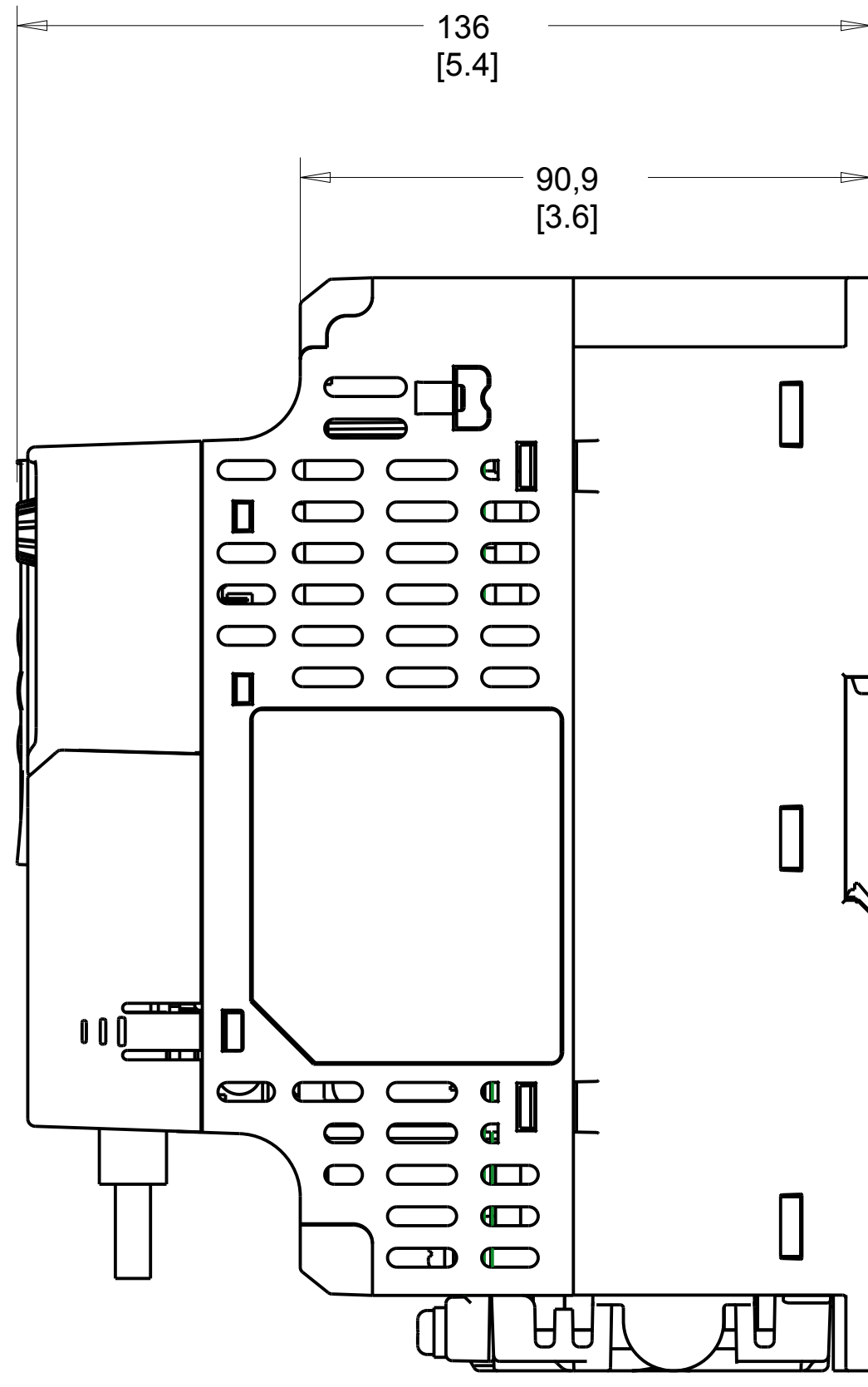
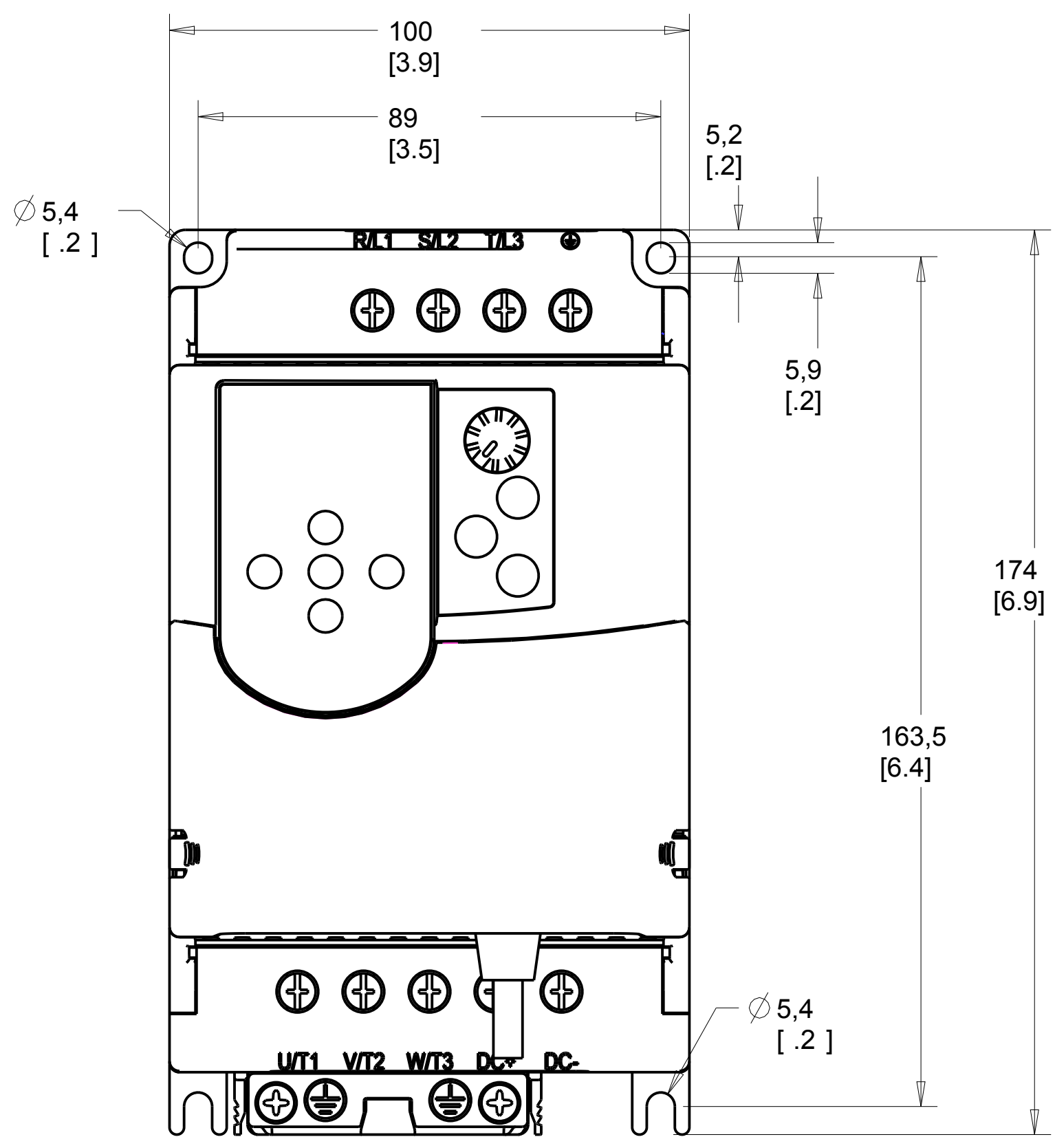


1 2 3 4 5 6 7 8

A
B
C
D
E
F
G
H



		<small>CONFIDENTIAL AND PROPRIETARY INFORMATION THIS DOCUMENT CONTAINS CONFIDENTIAL AND PROPRIETARY INFORMATION OF ROCKWELL AUTOMATION, INC. AND MAY NOT BE USED, COPIED OR DISCLOSED TO OTHERS, EXCEPT WITH THE AUTHORIZED WRITTEN PERMISSION OF ROCKWELL AUTOMATION, INC.</small>	
		Sheet 1 Of 1	
PF4M, FRAME B OUTLINE DRAWING		Size D	Ver 00
Drawn by: I.GUREV11	Date: 06-27-11	10000192743	